



AKOS® is one of the biggest Aluminium System manufacturer From Turkey who is the fastest-growing in world markets since 2006.

AKOS Smart Aluminium Railing Systems has been recognized in five continents and dozens of countries and have been accredited by international certifications.

One of the key factors that ensure company's growth with fast and solid steps is its quality consistency. Each stage of the production following to rules according to the ISO 9001:2015 and CE necessities.

The AKOS brand is completely focused on the innovation and engineering. Akos creates new designs for every market and every culture with it's professionalism.

Today AKOS Systems, are an indispensable part of artistic and modern designs with the priority of environmental awareness and life safety.

AKOS develops its systems with the culture below:

- High Efficiency
- High Quality
- Flexible and Special Mass Productivity
- Wide Range
- Capable Design



high

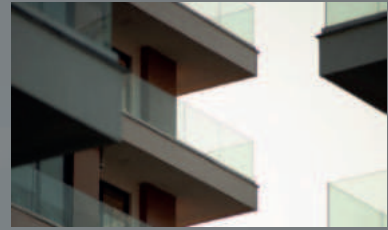
quality materials with a modern
design and superior finishing.

Index

Page Number

ALUSMART
SECTION

4



ALUFENCE
SECTION

94



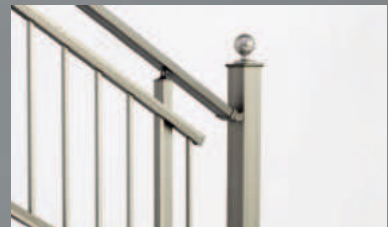
ALUMAX
SECTION

122



CLASSICAL
SECTION

154





ALUSMART SERIES

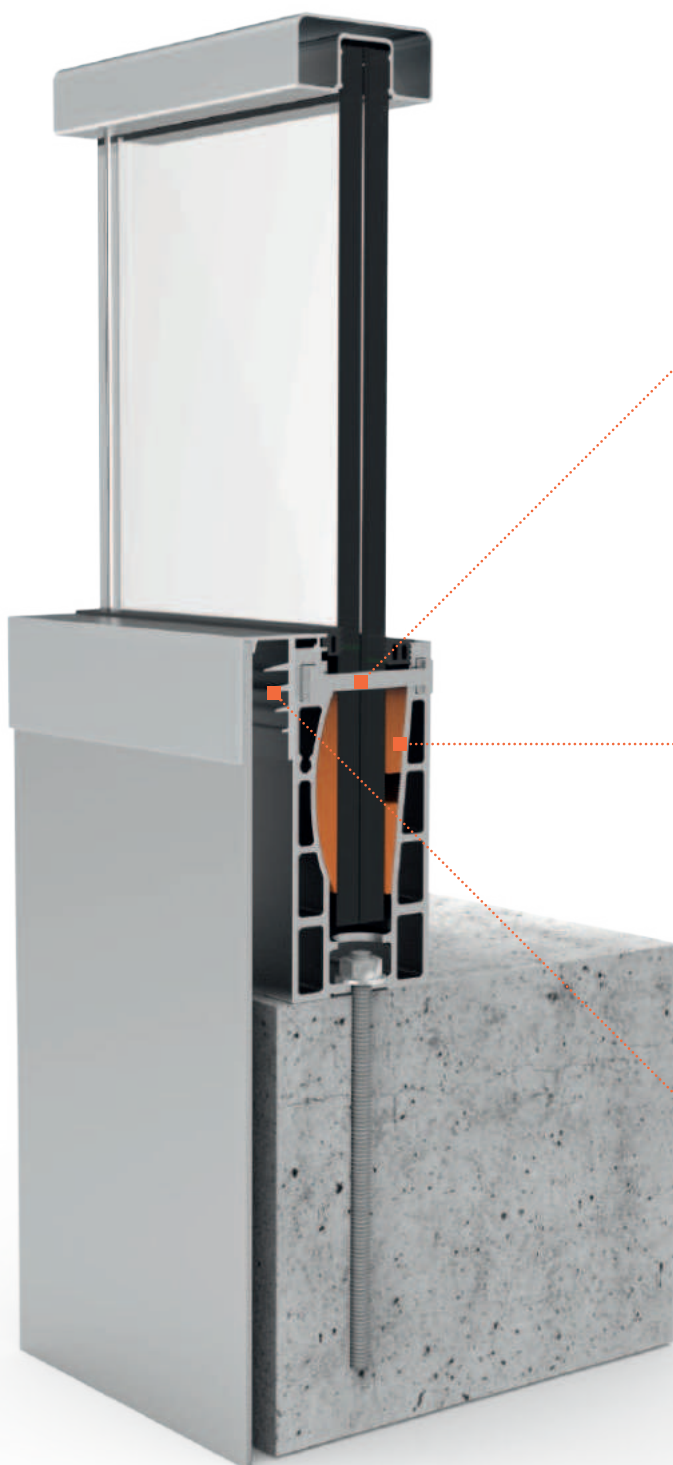
The Alusmart Series railing system is ideal for both indoor and outdoor applications. The most frequently used areas are hotels, public spaces, public buildings, offices, houses with modern design and villas.

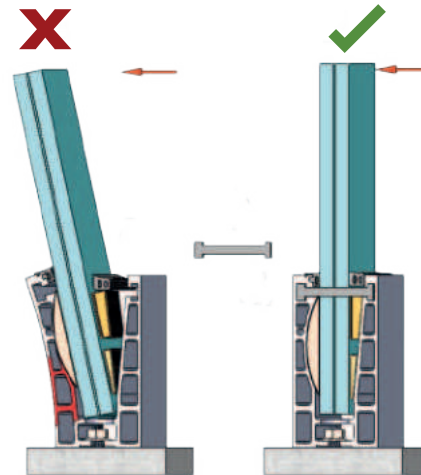
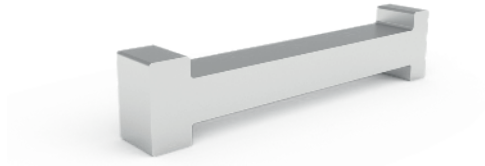
- Rich range of products Multi-product typology and synthesis
- Very simple production possibility despite different solution alternatives
- Quality material with modern design
- Affordable access to end users
- Resistance to various climatic conditions and long life.
- Contrary to expectations, low-cost aluminum
- Service network at Akos scale





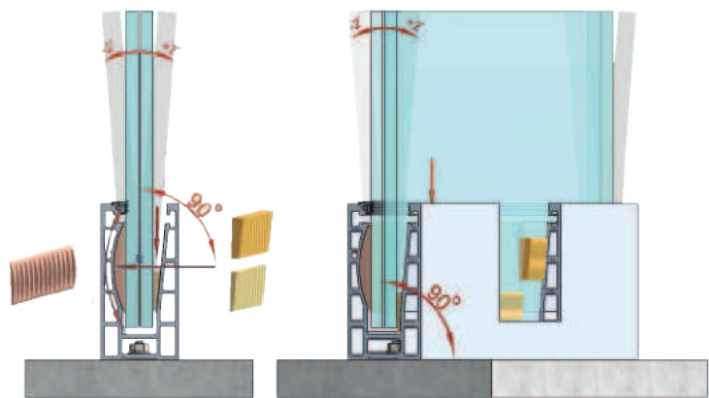
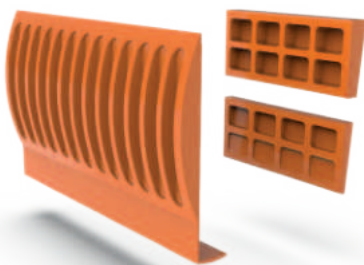
ALUSMART
PREMIUMLINE
SERIES





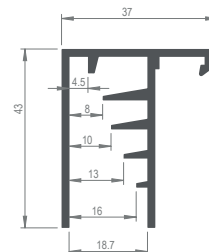
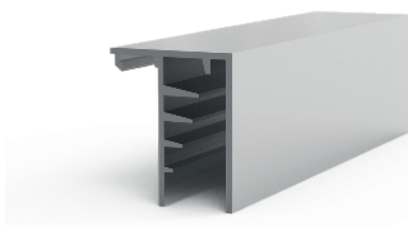
Tie Pin

Material steel a pin for tie connection stabilize the profiles at U shapes to enforce against unexpected impacts. When use the Tie Pin in a U profile within a meter distances increase 20% of strenght total of complete construction. Also it makes much more stronger against long application of glazing faults by windforces.



Aligning Plastic Wedge Kit

Plastic wedges in general to tightening operate use on most of the Glazing Balustrades. This plastic wedges by aligning option is a kit to gives you an advantage to use straight position upto 2 degrees front or back movement for align the glass without disassembling and re-assembling problems. Easy to use first squeeze the small wedge with a general use apparatus by hammer then use second bigger plastic dagger to aligning. When use upright position both wedges in same line 90° arrange, use them in different lines to make more or less tightening; the biggest elliptic plastic wedge moves in the spline (cambered hole) and aligning the required position to glass simply. It has manual operate and no waste time to screwing and untightening frequently to save time.

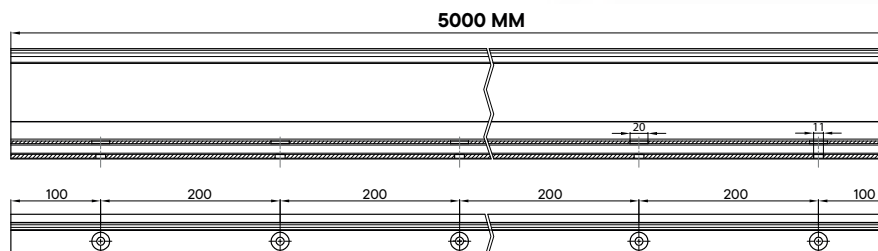
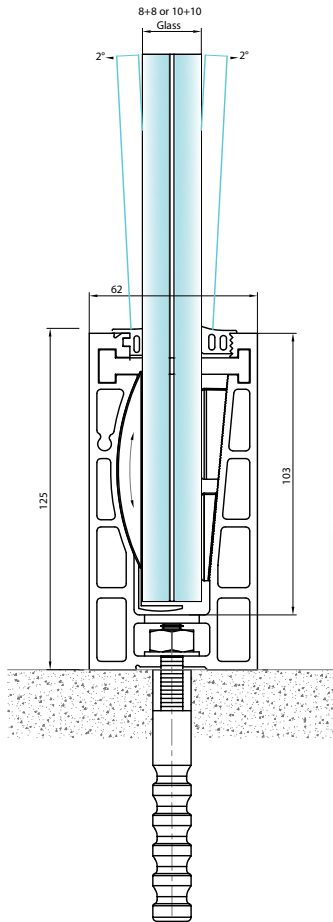


40-500-078 Composite Cover Profile

For all in use composite and similar materials of veneer on out surfaces of buildings; can be hid behind of applied Glazing and/or Aluminum Base can be hid behind of composites by this profile from 3mm upto 19mm variety of thickness.







U TYPE PL10 MODEL one of our complete profile options, is suitable for different architectures stands out with its reliable holding strength and optimalist design.

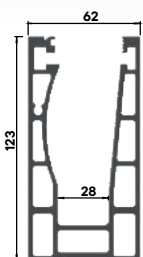
High strength of complete profile use and connector pins make your assembling easy.

- Complies with worldwide safety and building regulations.
- Uses the safety wedge system for easy glass installation.
- All colour range possible with customize.
- Wedge system allows +/- 2° glass alignment.
- Thanks to the tie / neck accessory much more strong against impacts.

Criteria	Value
Safety Load	1.2 kN
Line Load	50 Lbs (225 N)
Pressure	200 Lbs (890 N)
Proved Pressure	1.9 kN
Advice Height	Upto 120cm (47' / 1'')
Alignment Capacity	+/- 2°
Applied Force	600 J



YouTube



PL10 GLASS BASE
PROFILE 5 METERS



30-500-070
Endcap



40-500-077
Tie Pin

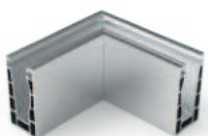


40-500-320
Wedge Kit For
8+8 Glass

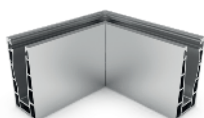


40-500-553
Wedge Kit For
10+10 Glass

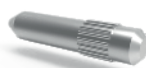
41-500-067
Glass Profile W/Holes



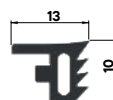
30-500-071
90° Outer Corner



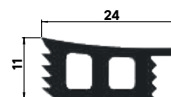
30-500-072
90° Inner Corner



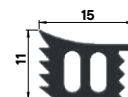
40-500-079
Continuation Pin



40-500-796
Rubber

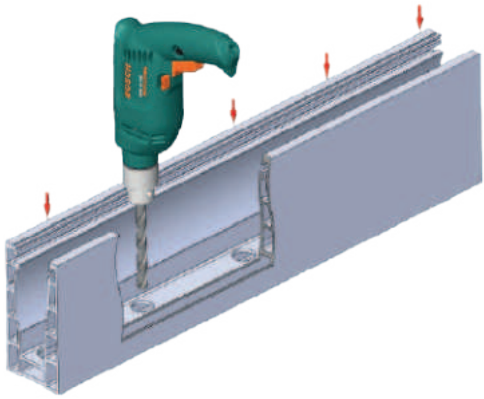


40-500-797
Rubber For
8+8 Glass

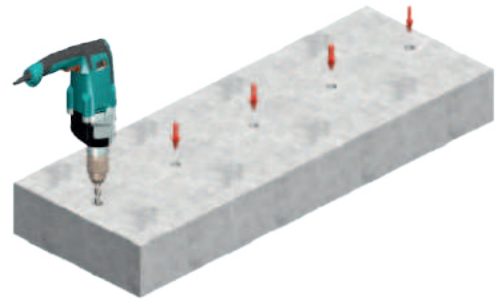


40-500-798
Rubber For
10+10 Glass

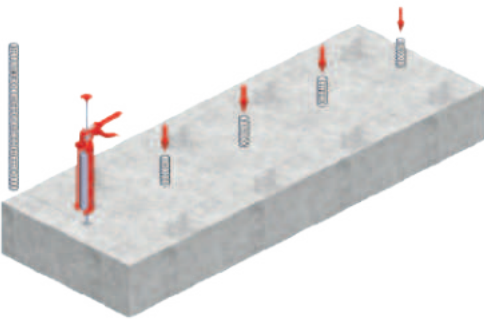
1



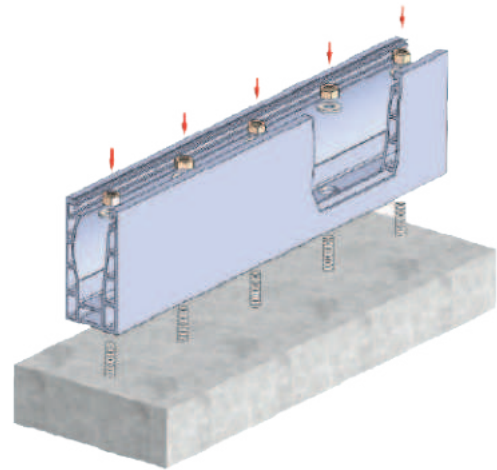
2



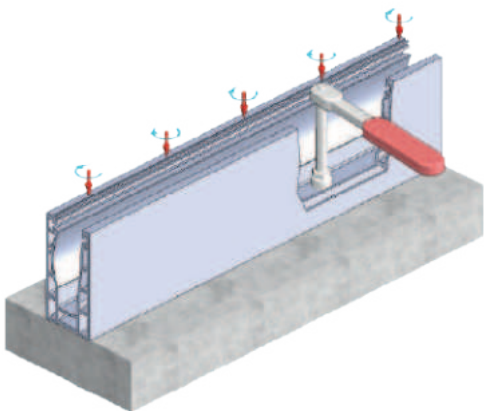
3



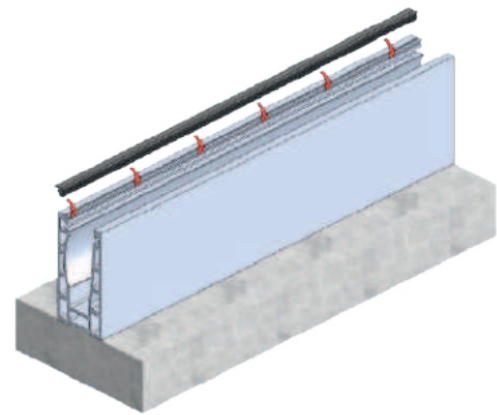
4



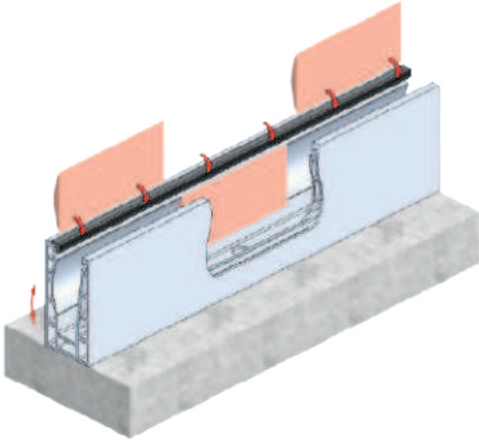
5



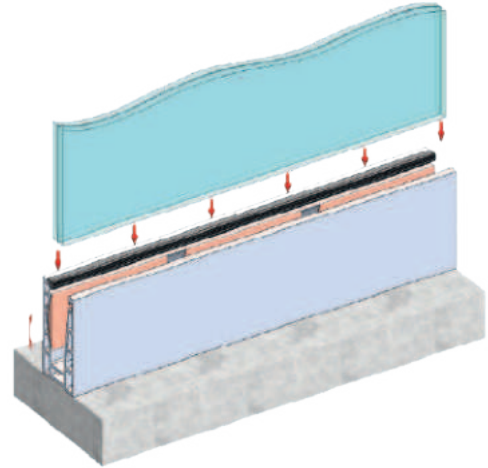
6



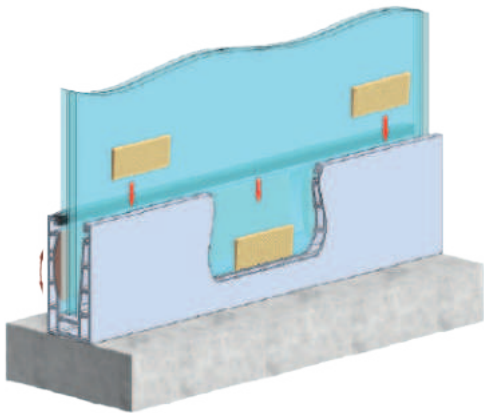
7



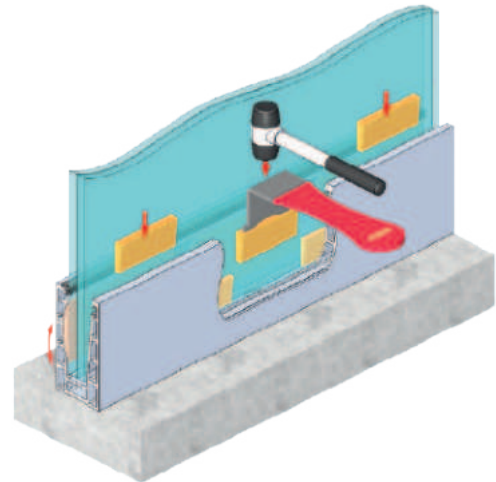
8



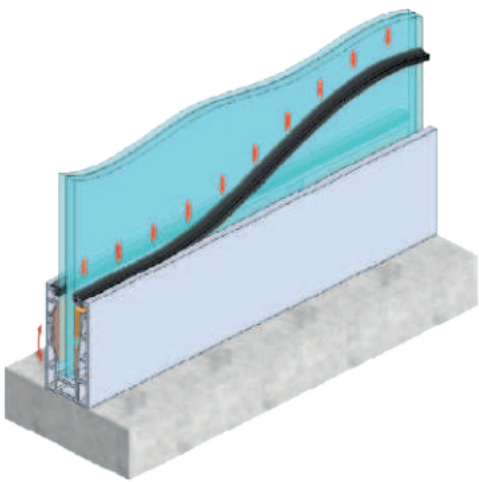
9



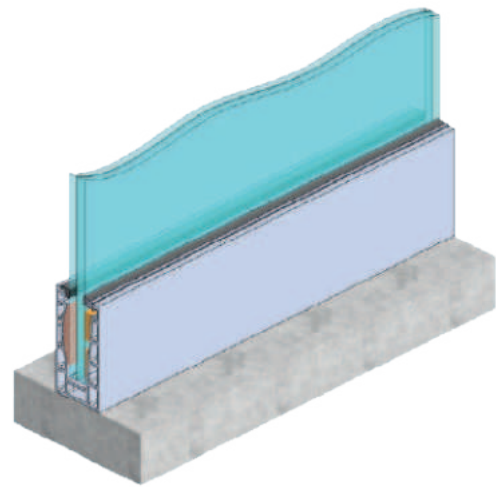
10

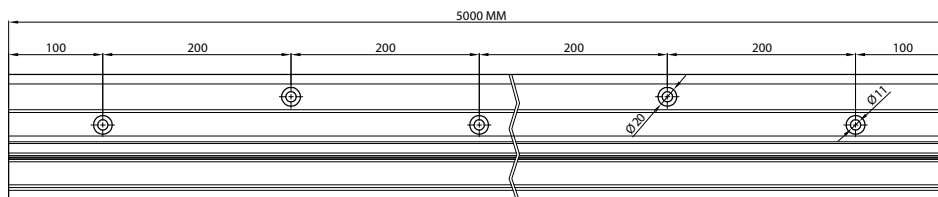
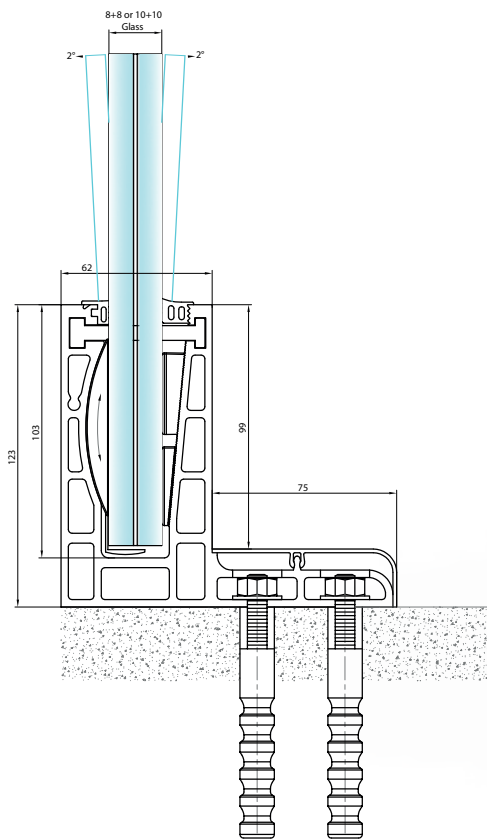


11



12





F TYPE PL20 MODEL, one of our complete profile options, is suitable for different architectures stands out with its reliable holding strength and optimalist design.

High strength of complete profile use and connector pins make your assembling easy.

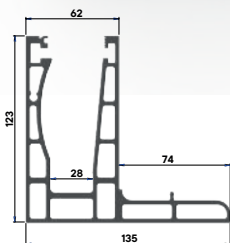
- Complies with worldwide safety and building regulations.
- Uses the safety wedge system for easy glass installation.
- All colour range possible with customize.
- Wedge system allows +/- 2° glass alignment.
- Thanks to the tie / neck system accessory much more strong against impacts.
- Extra cap for side contact is able of hide and / or same elevation with claddings and isolations.

With side contact design gives advantage of slab place mount to the edges when assembling. It also has option by one or two holes to zigzag or double anchor methods for montage.

Criteria	Value
Safety Load	1.2 kN
Line Load	50 Lbs (225 N)
Pressure	200 Lbs (890 N)
Prooved Pressure	2.2 kN - 2.5 kN
Advice Height	Upto120cm(47' / ")
Alignment Capacity	+/- 2°
Applied Force	600 J



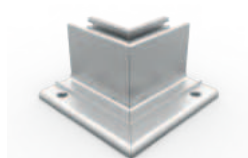
YouTube



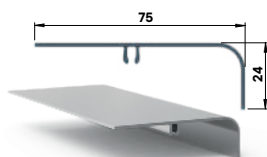
PL20 GLASS BASE PROFILE 5 METERS

■ **40-500-068**
Glass Base Profile

■ **41-500-068**
Glass Profile W/Holes



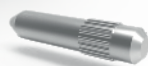
■ **30-500-413**
90° Outer Corner



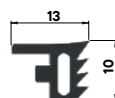
■ **40-500-069**
Cover Profile 5 Meters



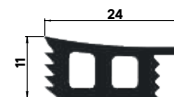
■ **30-500-414**
90° Inner Corner



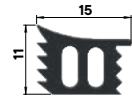
■ **40-500-079**
Continuation Pin



■ **40-500-796**
Rubber



■ **40-500-797**
Rubber For 8+8 Glass



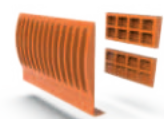
■ **40-500-798**
Rubber For 10+10 Glass



■ **40-500-077**
Tie Pin



■ **40-500-320**
Wedge Kit For 8+8 Glass



■ **40-500-553**
Wedge Kit For 10+10 Glass



■ **30-500-415**
90° Inner Corner

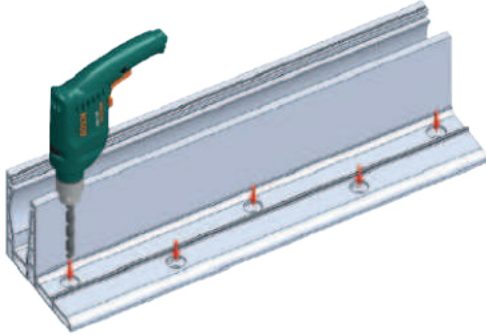


■ **30-500-416**
90° Outer Corner

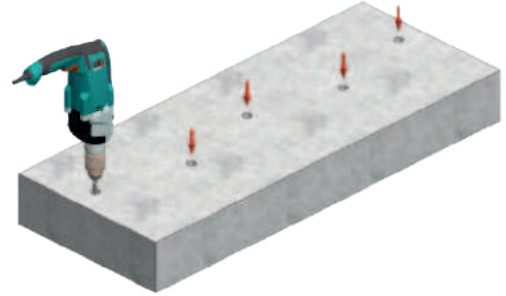


■ **30-500-412**
Endcap

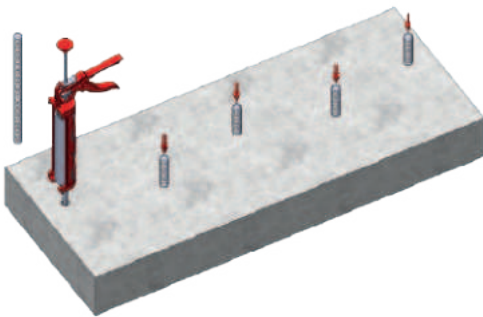
1



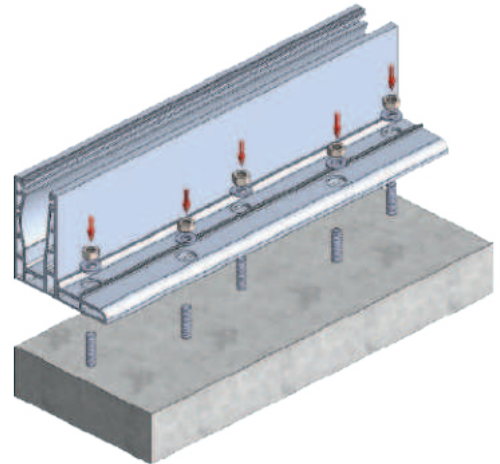
2



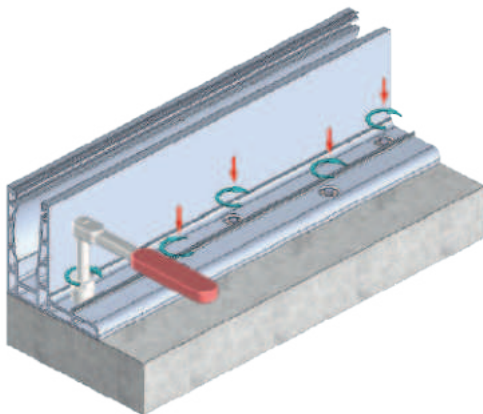
3



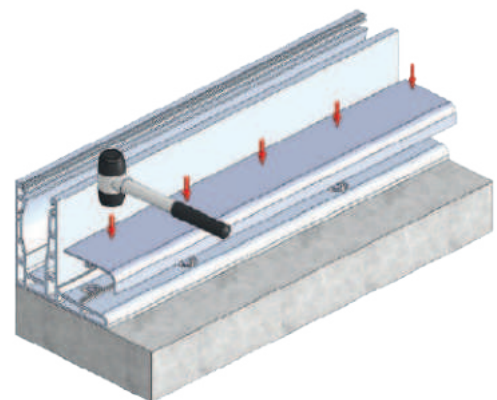
4



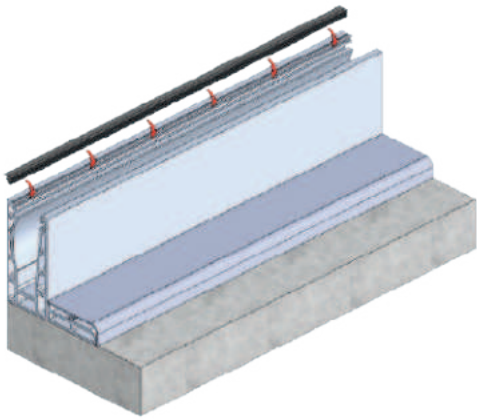
5



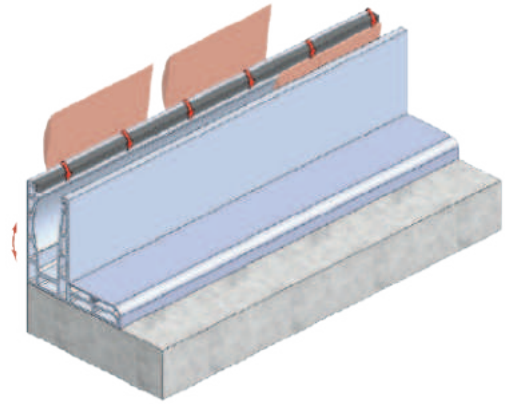
6



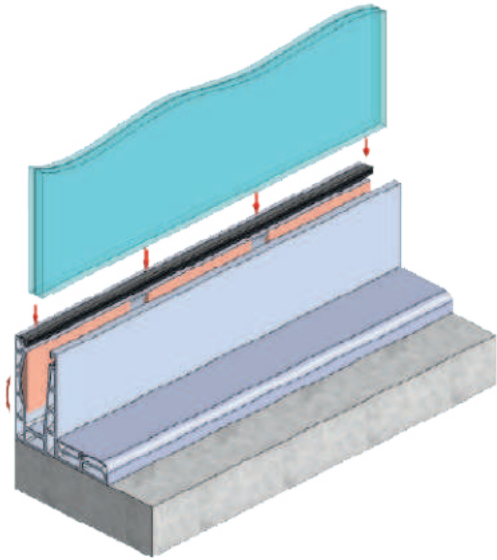
7



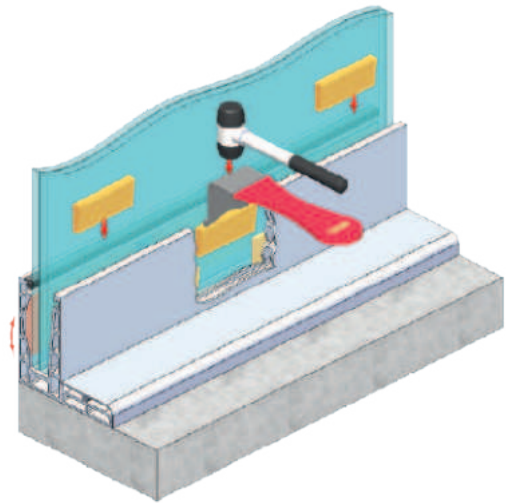
8



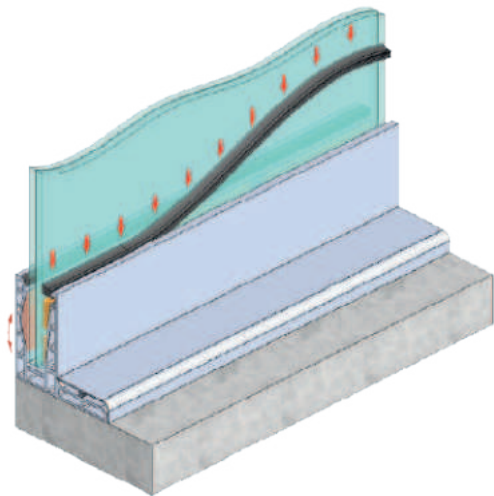
9



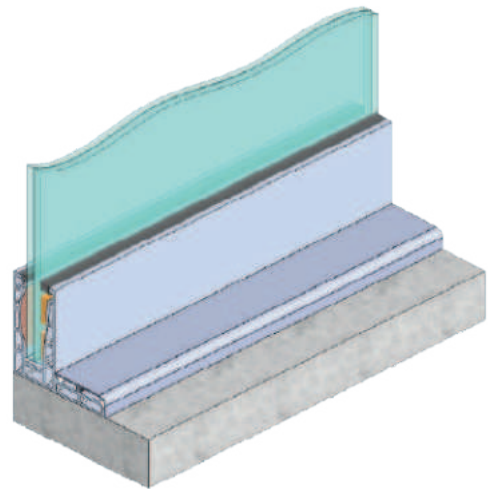
10



11

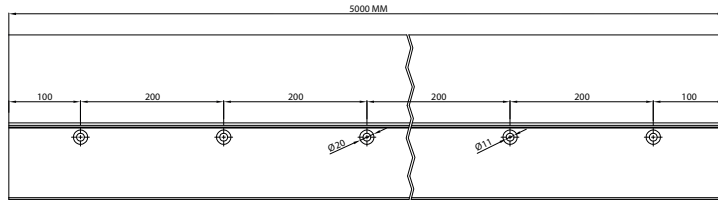
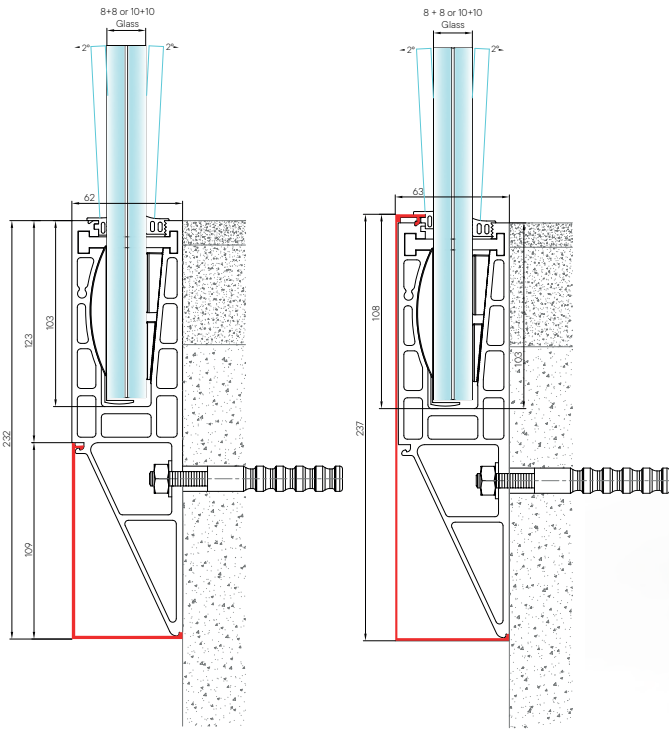


12



Option 1

Option 2



Y TYPE PL30 MODEL one of our complete profile options, is suitable for different architectures stands out with its reliable holding strength and optimalist design.

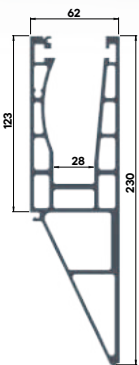
- High strength of complete profile use and connector pins make your assembling easy.
- Complies with worldwide safety and building regulations.
- Uses the safety wedge system for easy glass installation.
- All colour range possible with customize.
- Wedge system allows +/- 2° glass alignment.
- Thanks to the tie / neck system accessory much more strong against impacts.
- Extra cap for side contact has ability of hide and / or same elevation with claddings and isolations.

With side contact design gives advantage of slab place mont to the edges when assembling. Model helps you when edges no space enough or isolation goes to the whole area.

Criteria	Value
Safety Load	1.7 kN
Line Load	50 Lbs (225 N)
Pressure	200 Lbs (890 N)
Prooved Pressure	1.9 kN
Advice Height	Upto120cm(47' / ")
Alignment Capacity	+/- 2°
Applied Force	600 J



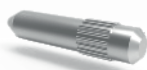
YouTube



PL30 GLASS BASE PROFILE 5 METERS

■ **40-500-070**
Glass Base Profile

■ **41-500-070**
Glass Profile W/Holes



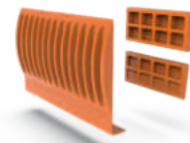
■ **40-500-079**
Continuation Pin



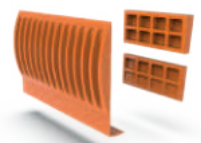
■ **40-500-077**
Tie Pin



■ **30-500-321**
Endcap



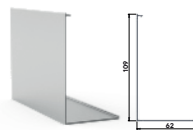
■ **40-500-320**
Wedge Kit For 8+8 Glass



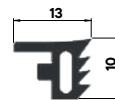
■ **40-500-553**
Wedge Kit For 10+10 Glass



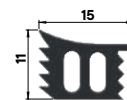
■ **40-500-071**
Cover Profile 5 Meters



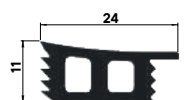
■ **40-500-072**
Cover Profile 5 Meters



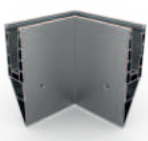
■ **40-500-796**
Rubber



■ **40-500-797**
Rubber For 10+10 Glass



■ **40-500-798**
Rubber For 8+8 Glass



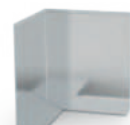
■ **30-500-322**
90° Outer Corner



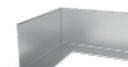
■ **30-500-323**
90° Inner Corner



■ **30-500-327**
90° Inner Corner For 40-500-071



■ **30-500-326**
90° Outer Corner For 40-500-071

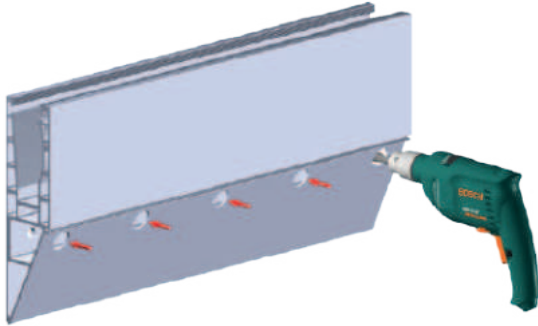


■ **30-500-324**
90° Outer Corner For 40-500-072

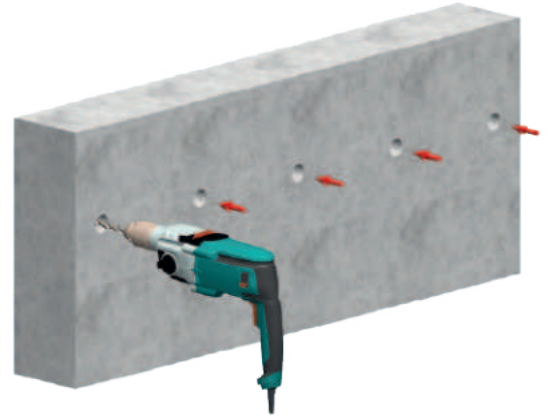


■ **30-500-325**
90° Inner Corner For 40-500-072

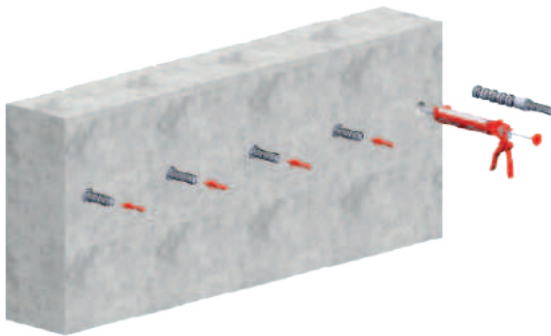
1



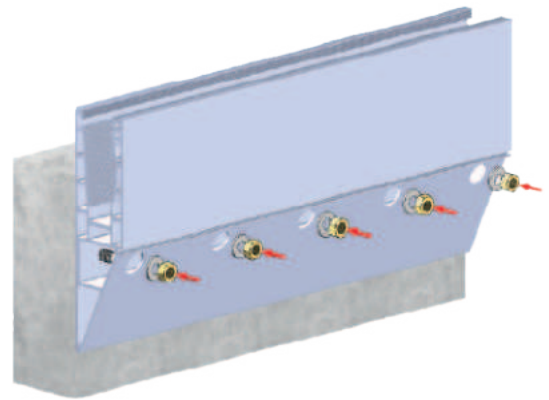
2



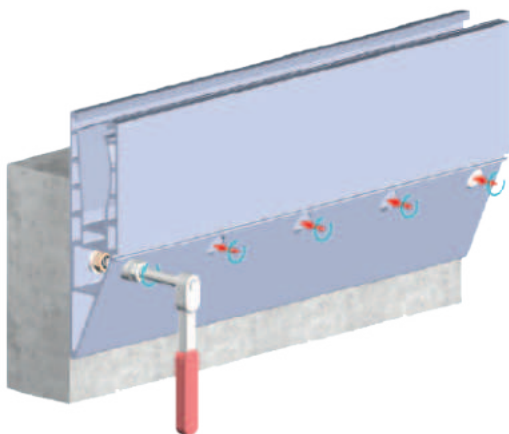
3



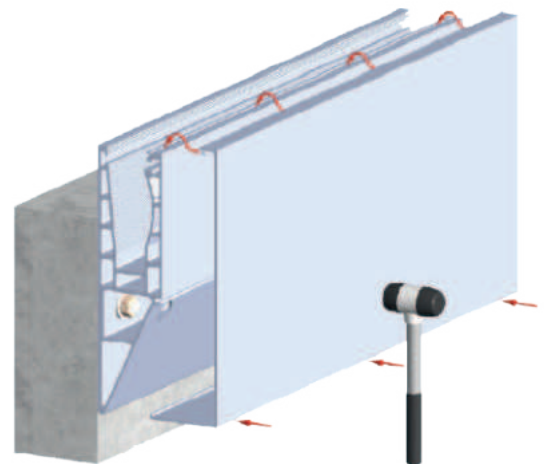
4



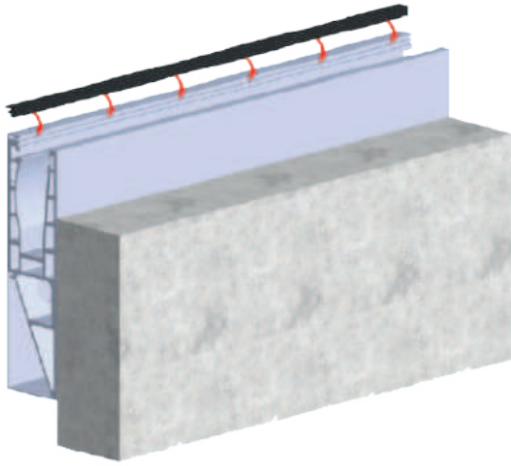
5



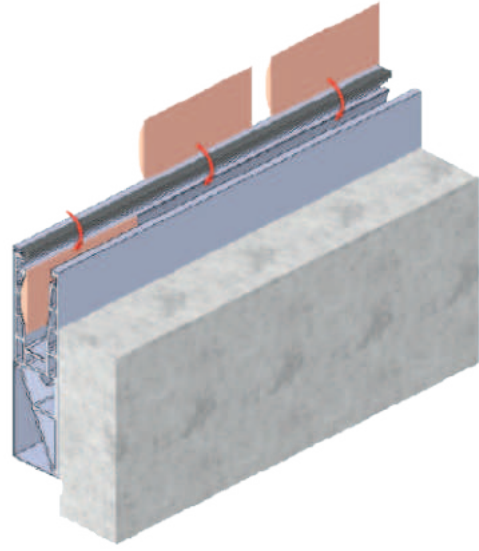
6



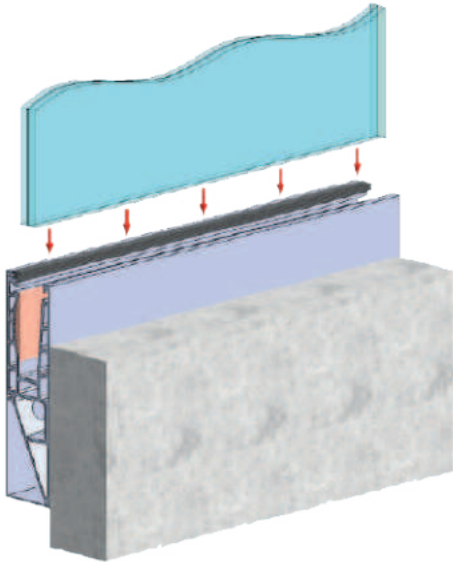
7



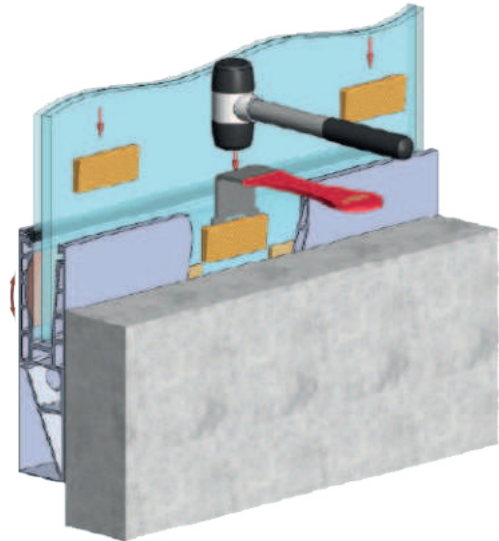
8



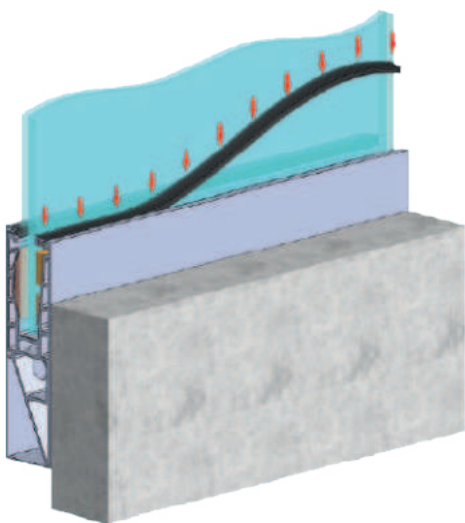
9



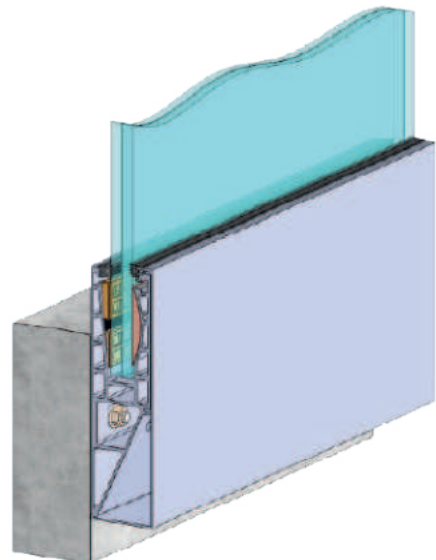
10

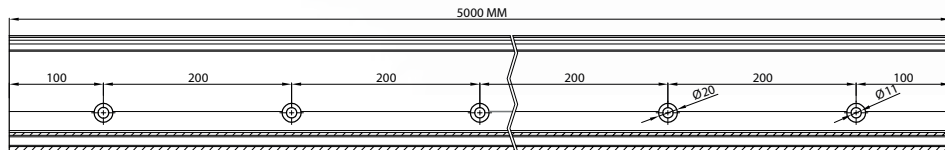
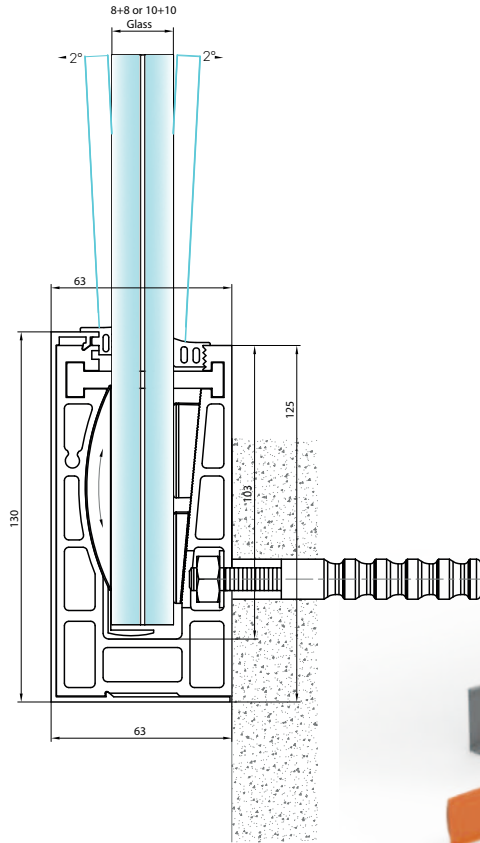


11



12





U TYPE SIDE ELEVATION PL31 MODEL one of our rich profile options, is suitable for different architectures stands out with its reliable holding strength and optimalist design.

- High strength of complete profile use and connector pins make your assembling easy.
- Complies with worldwide safety and building regulations.
- Uses the safety wedge system for easy glass installation.
- All colour range possible with customize.
- Wedge system allows +/- 2° glass alignment.
- Thanks to the tie / neck system accessory much more strong against impacts.

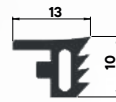
With side contact design gives advantage of slab place mont to the edges when assembling.

Model helps you when edges no space enough or isolation goes to the whole area.

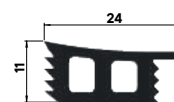
Criteria	Value
Safety Load	1.7 kN
Line Load	50 Lbs (225 N)
Pressure	200 Lbs (890 N)
Prooved Pressure	2.0 kN
Advice Height	Upto120cm(47'1'')
Alignment Capacity	+/- 2°
Applied Force	600 J



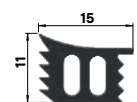
YouTube



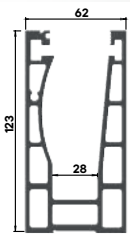
■ 40-500-796
Rubber



■ 40-500-797
Rubber For
8+8 Glass



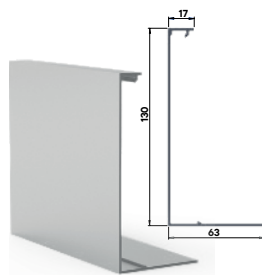
■ 40-500-798
Rubber For
10+10 Glass



**PL31 GLASS BASE
PROFILE 5 METERS**

■ 40-500-073
Glass Base Profile

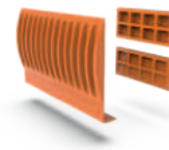
■ 41-500-073
Glass Profile W/Holes



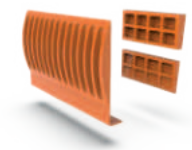
■ 40-500-074
Cover Profile
5 Meters



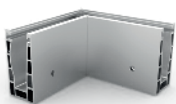
■ 40-500-077
Tie Pin



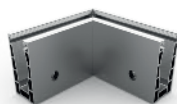
■ 40-500-320
Wedge Kit For
8+8 Glass



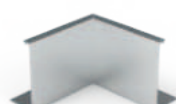
■ 40-500-553
Wedge Kit For
10+10 Glass



■ 30-500-331
90° Outer Corner



■ 30-500-332
90° Inner Corner



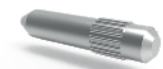
■ 30-500-334
90° Inner Corner



■ 30-500-333
90° Outer Corner



■ 30-500-330
Endcap



■ 40-500-079
Continuation Pin

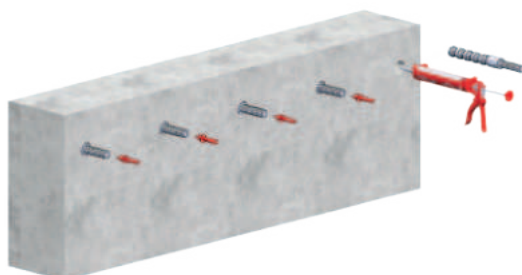
1



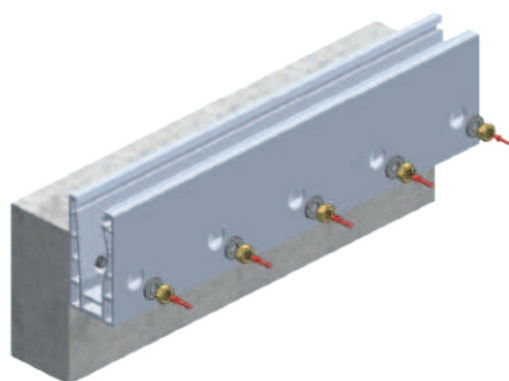
2



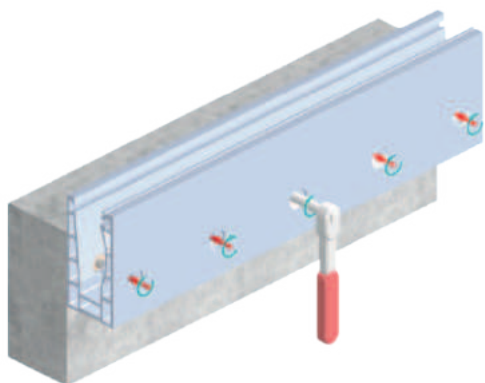
3



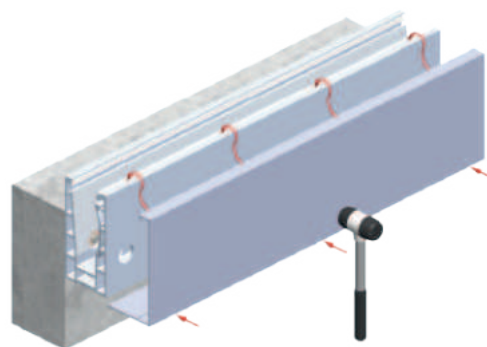
4



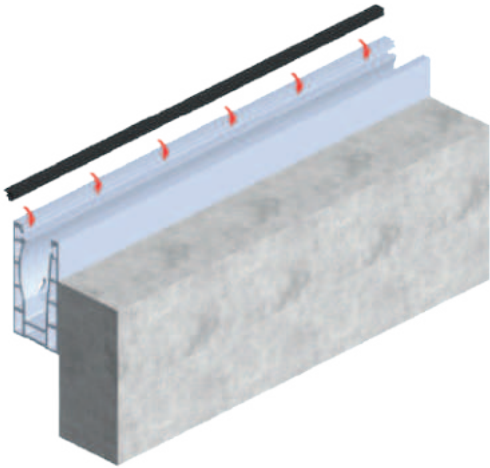
5



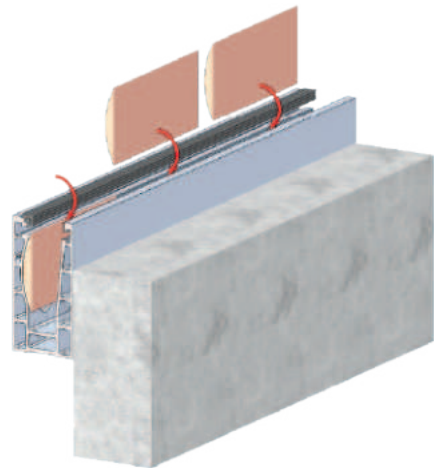
6



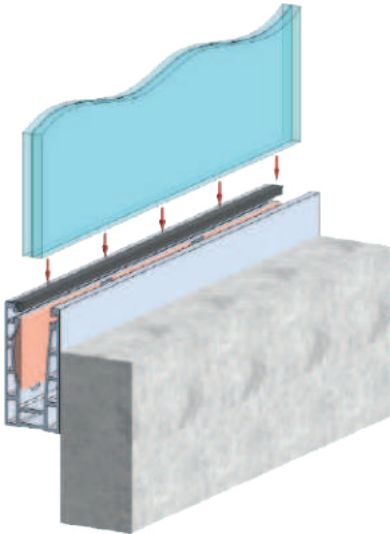
7



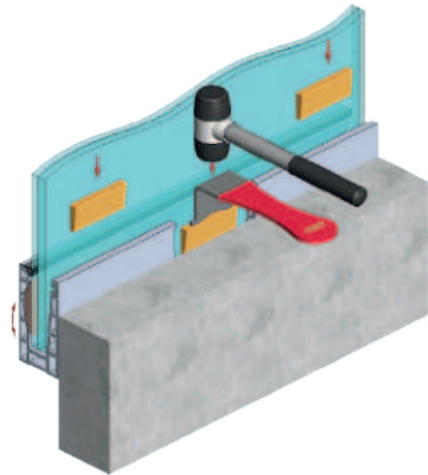
8



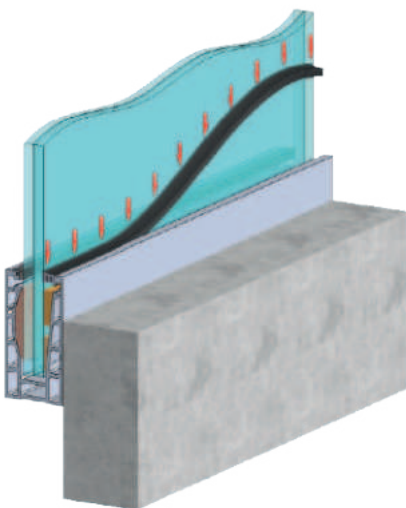
9



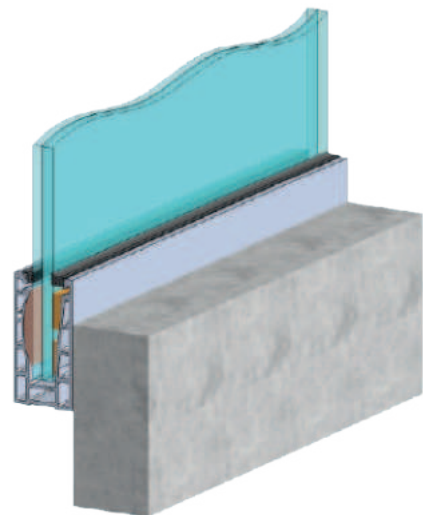
10



11



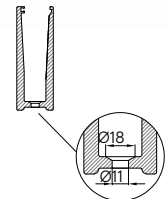
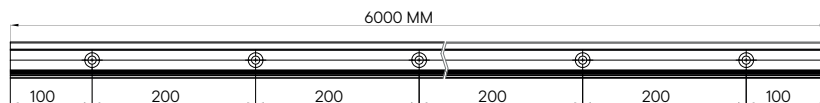
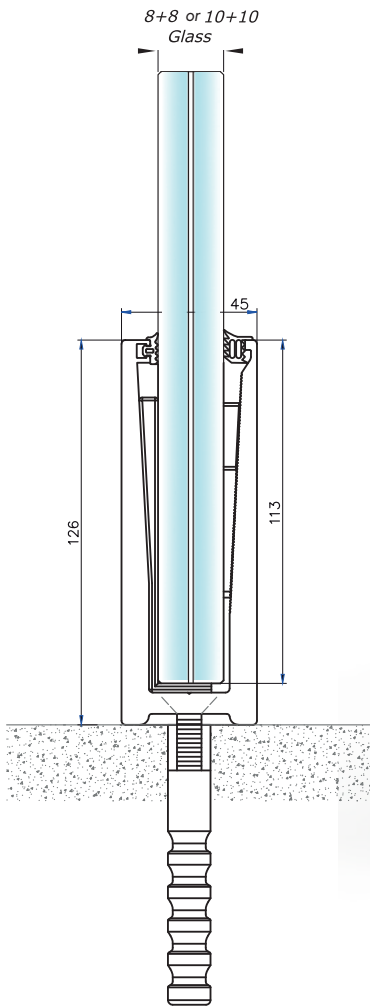
12





ENDURELINE SERIES

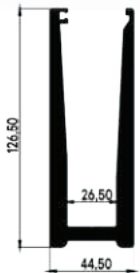




Endureline EL10 System, one of our rich profile options, is suitable for different architectures, stands out with its reliable holding strength and minimalist design.

- Complies with worldwide safety and building regulations.
- Uses the Safety Wedge system for easy glass installation.
- Complete your desired look by choosing from a range of handrails and cap rails in a variety of materials, shapes and sizes.

Criteria	Value
Safety Load	1.2 kN
Line Load	50 Lbs (225 N)
Pressure	200 Lbs (890 N)
Prooved Pressure	1.5 kN
Advice Height	Upto120cm(47' / ")
Alignment Capacity	-
Distance/s	-



**EL10 GLASS BASE
PROFILE 6 METERS**

■ **40-500-035**
Glass BaseProfile

■ **41-500-035**
Glass Profile W/Holes



■ **30-500-715**
Endcap



■ **40-500-790**
Wedge Kit For
8+8 Glass



■ **40-500-793**
Wedge Kit For
10+10 Glass



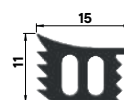
■ **30-500-711**
90° Inner Corner



■ **30-500-712**
90° Outer Corner



■ **40-500-001**
Rubber For
10+10 Glass

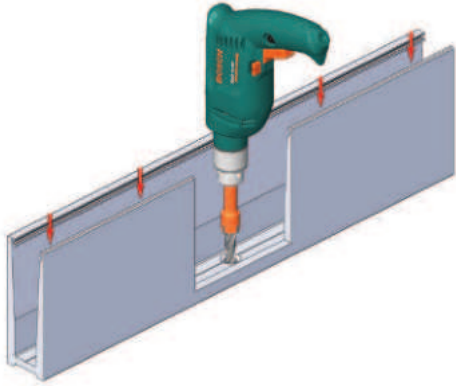


■ **40-500-798**
Rubber For
8+8 Glass

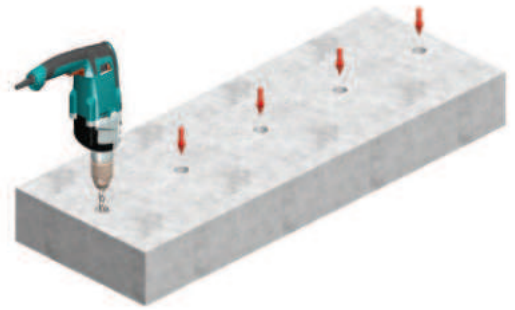


■ **40-500-792**
Rubber

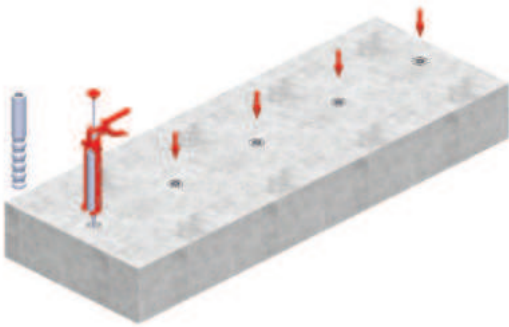
1



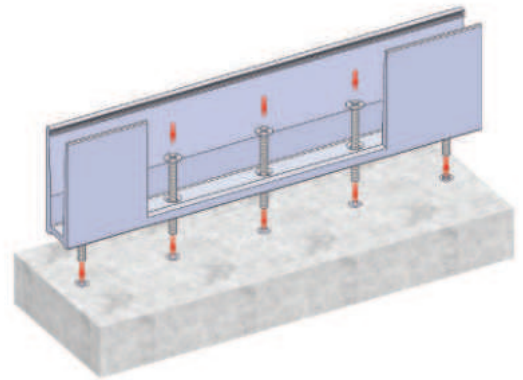
2



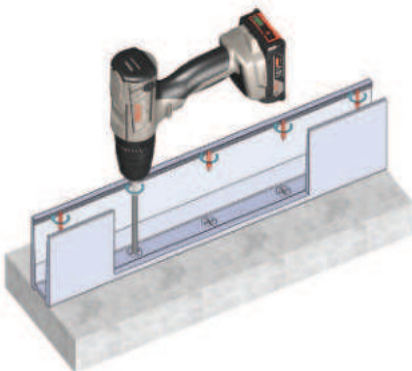
3



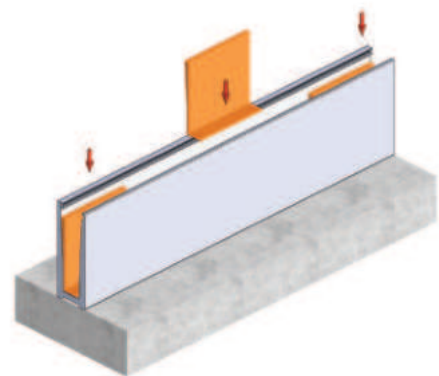
4



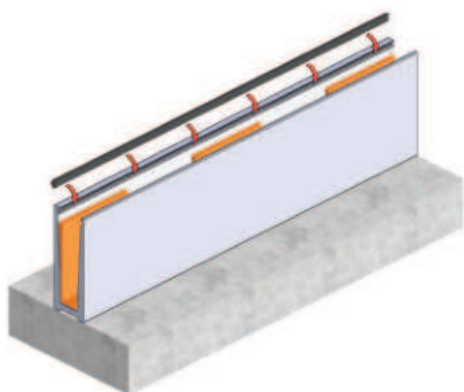
5



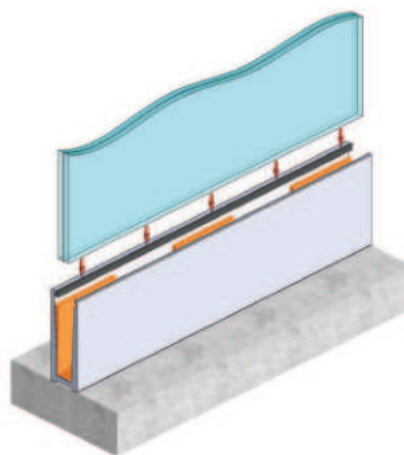
6



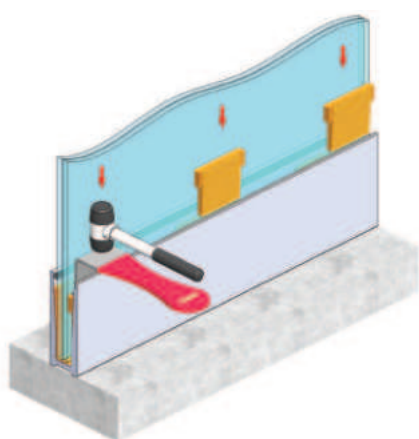
7



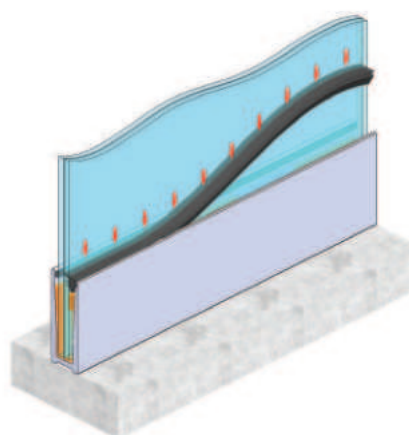
8



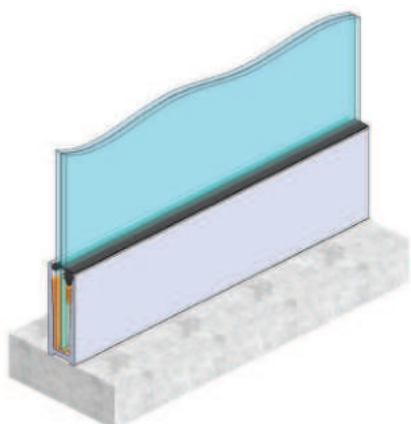
9

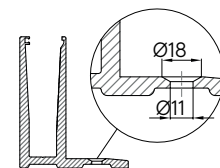
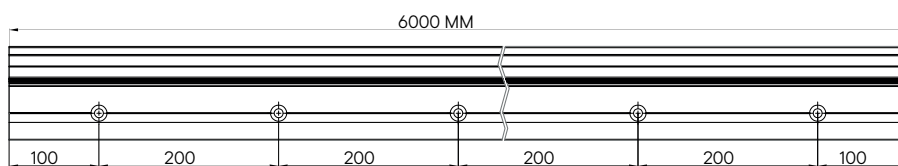
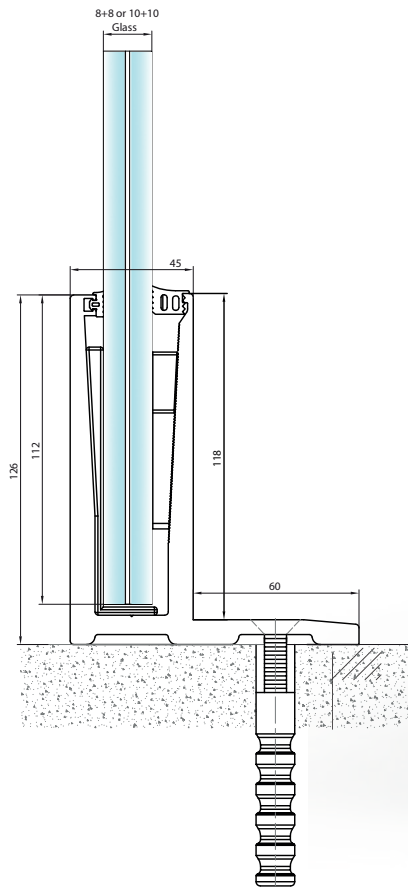


10



11

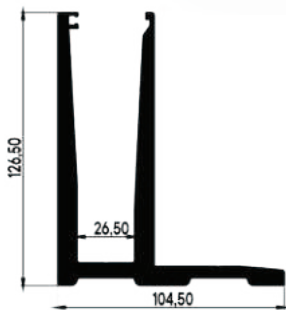




Endureline EL20 System provides big living spaces and confidence of using 8+8 laminated glass. Designed for safety with its solid design.

- Complies with worldwide safety and building regulations
- Uses the Safety Wedge system for easy glass installation.
- Complete your desired look by choosing from a range of handrails and cap rails in a variety of materials, shapes and sizes.

Criteria	Value
Safety Load	1.2 kN
Line Load	50 Lbs (225 N)
Pressure	200 Lbs (890 N)
Proved Pressure	1.7 kN
Advice Height	Up to 120 cm (47"/1)
Alignment Capacity	-
Distance/s	-



**EL20 GLASS BASE
PROFILE 6 METERS**

■ **40-500-036**

Glass Base Profile

■ **41-500-036**

Glass Profile W/Holes



■ **30-500-745**

Endcap



■ **40-500-790**

Wedge Kit For
8+8 Glass



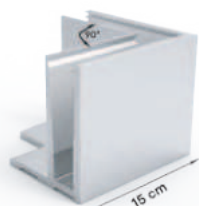
■ **500-793**

Wedge Kit For
10+10 Glass



■ **30-500-741**

90° Inner Corner



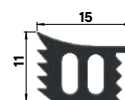
■ **30-500-742**

90° Outer Corner



■ **40-500-001**

Rubber for
10+10 Glass



■ **40-500-798**

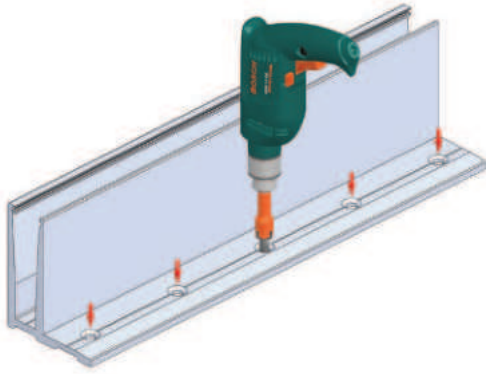
Rubber For
8+8 Glass



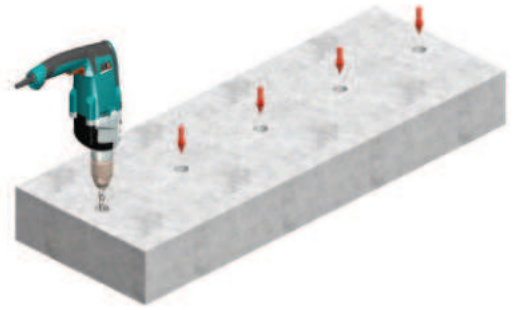
■ **40-500-792**

Rubber

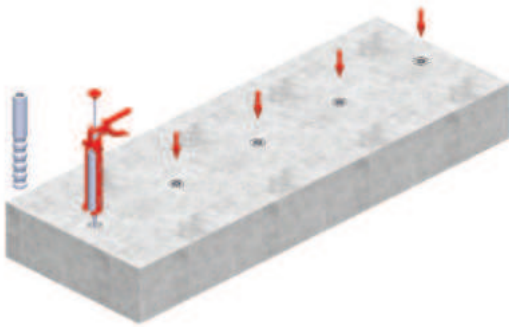
1



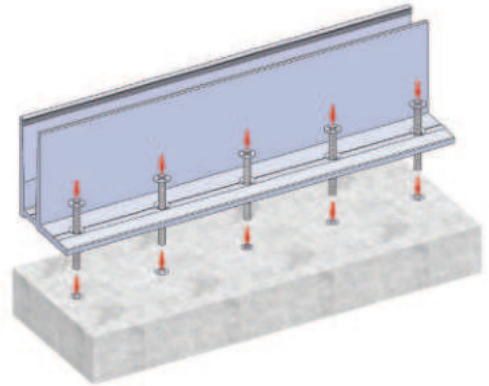
2



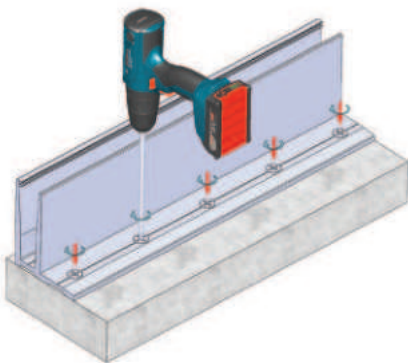
3



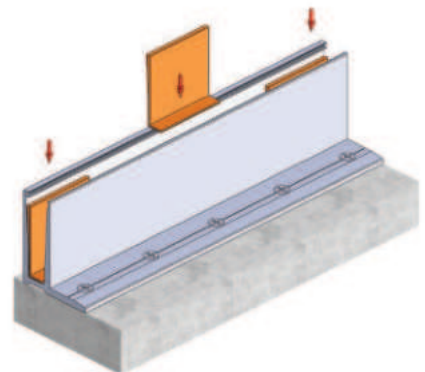
4



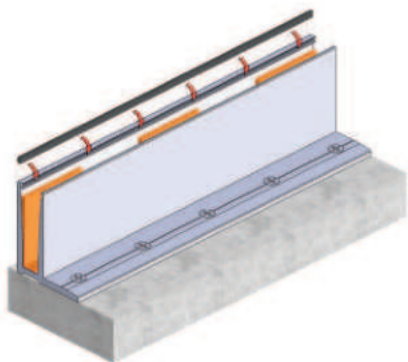
5



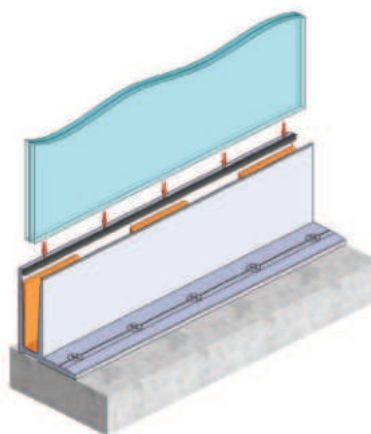
6



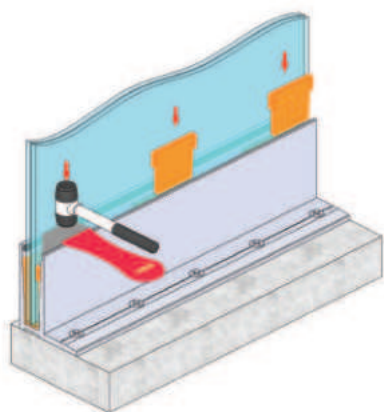
7



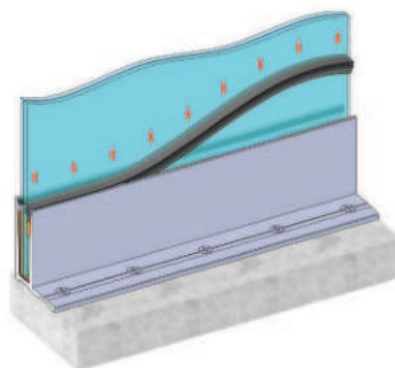
8



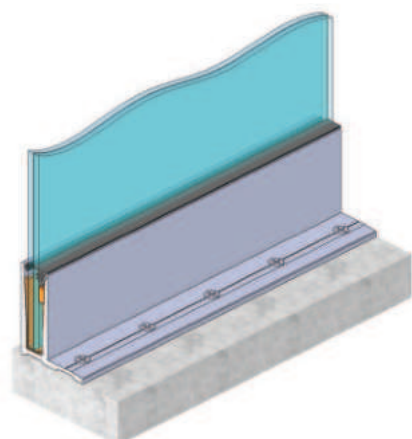
9

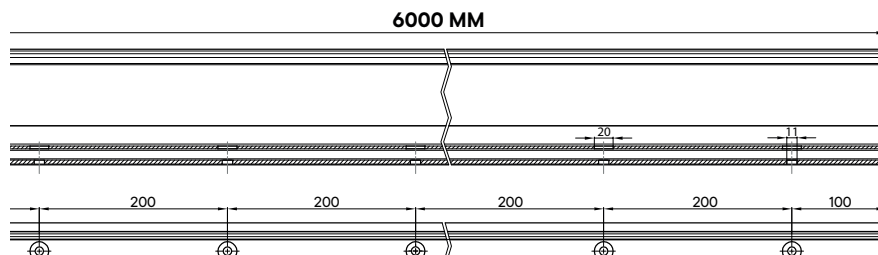
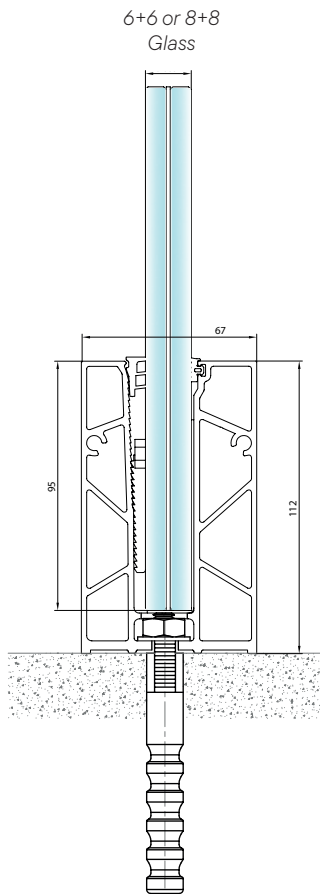


10



11



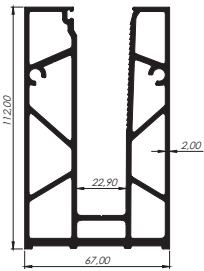


Endureline EL50 provides 6 meter whole profile system with 8+8 laminated glass. With the unique plastic 6m long profiles with less assembling time; means less cost.

This cost saver product has an easy tightening operate with extra thickening plastic wedge to change glasses to 6+6mm.

- Complies with worldwide safety and building regulations.
- Uses the safety wedge system for easy glass installation
- All colour range possible with customize

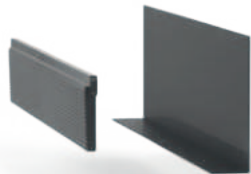
Criteria	Value
SafetyLoad	1.0
LineLoad	50 Lbs (225 N)
Pressure	200 Lbs (890 N)
Prooved Pressure	2.2 kN
AdviceHeight	Upto120cm(47' /")
Aligment Capacity	-
Applied Force	590 J



**EL50 GLASS BASE
PROFILE 6 METERS**

■ **40-500-023**
Glass Base Profile

■ **41-500-023**
Glass Profile W/Holes



■ **30-500-012**
Plastic Compression Set



■ **40-500-001**
Rubber



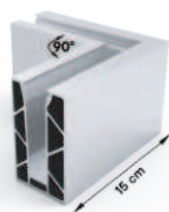
■ **40-500-792**
Rubber



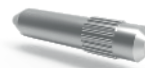
■ **30-500-503**
Endcap



■ **30-500-509**
90° Outer Corner



■ **30-500-521**
90° Inner Corner

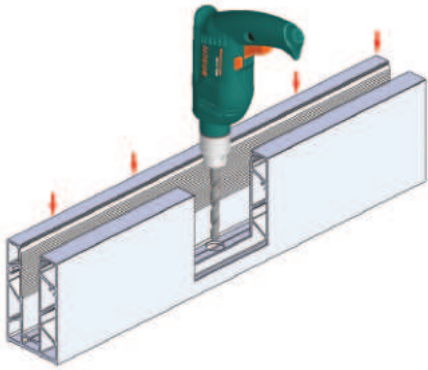


■ **40-500-079**
Continuation Pin

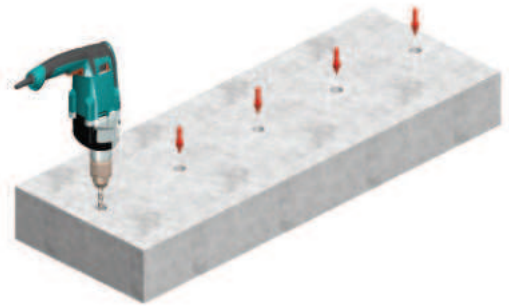


■ **40-500-028**
Plastic Compression
Apparatus For
6+6 mm Glass

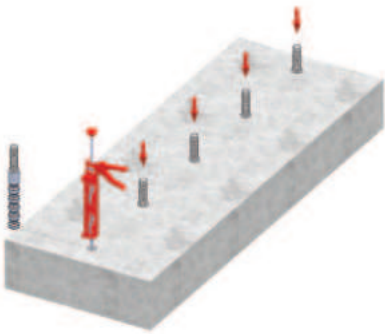
1



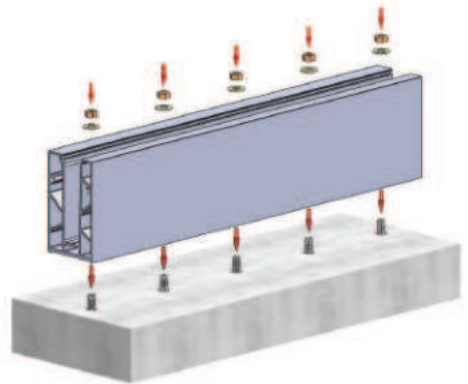
2



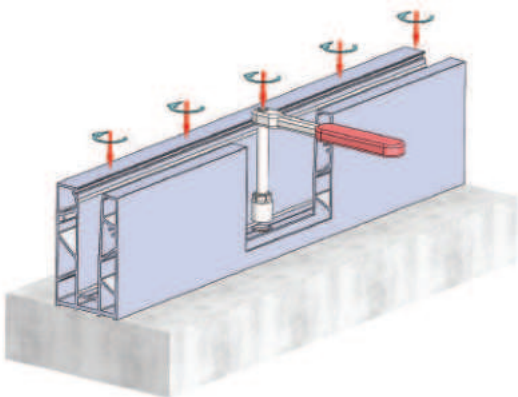
3



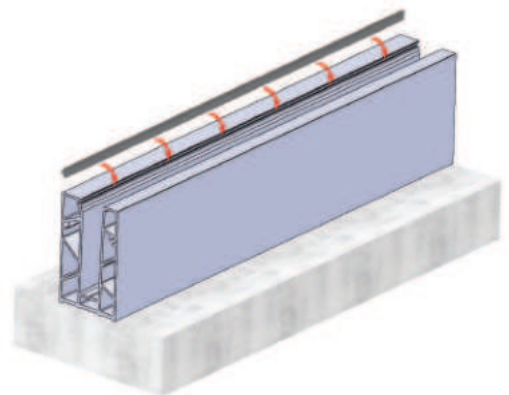
4



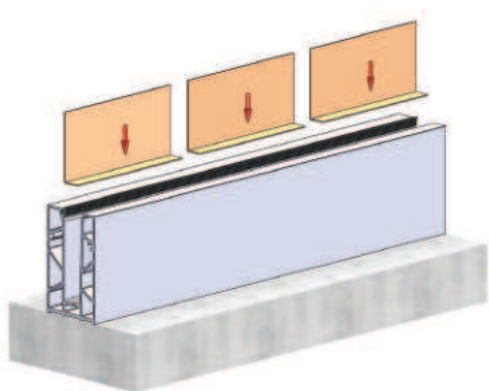
5



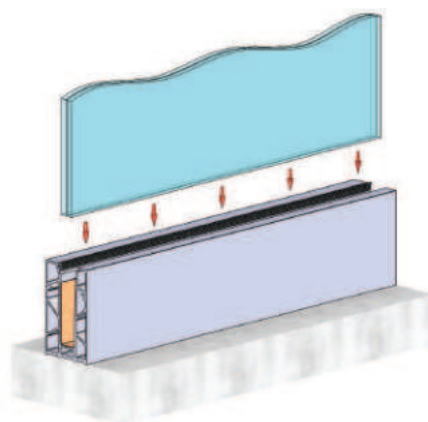
6



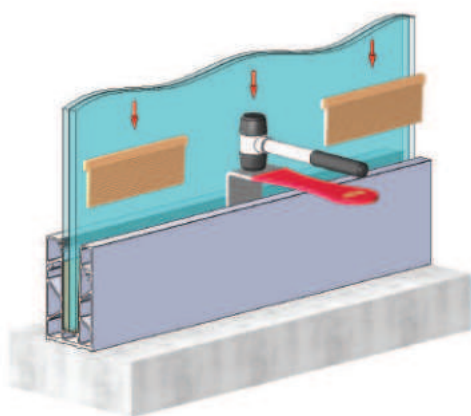
7



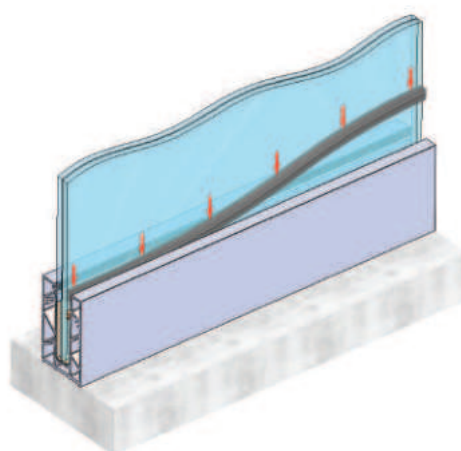
8



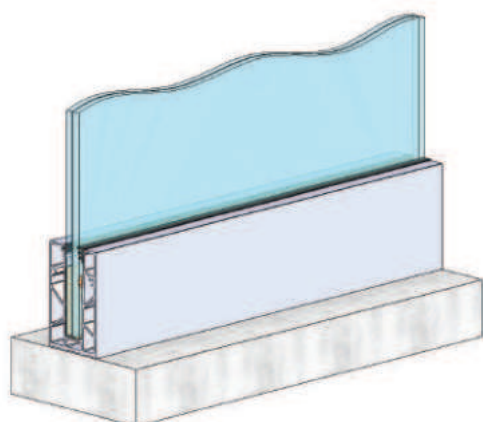
9

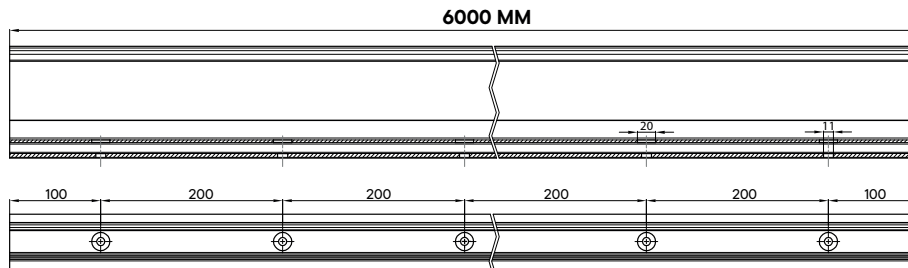
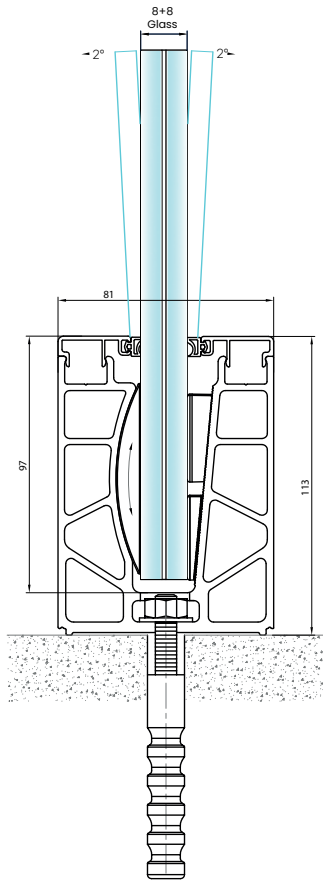


10



11

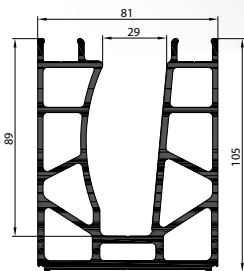




Endureline EL51 provides to use 6 meter whole profile system with 8+8 laminated glasses. With glass aligning option. Simple strong easy land light weight.

- Complies with worldwide safety and building regulations.
- Uses the safety wedge system for easy glass installation
- All colour range possible with customize
- Wedge system allows +/- 2° glass alignment.

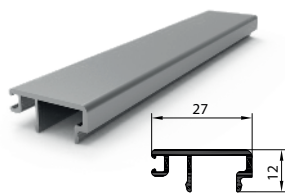
Criteria	Value
SafetyLoad	1.0
LineLoad	50 Lbs (225 N)
Pressure	200 Lbs (890 N)
CertifiedPressure	1.5kN
AdviceHeight	Upto120cm(47' / 1")
Alignment Capacity	+/- 2°
Distance/s	-



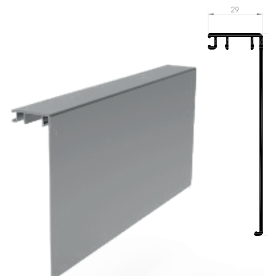
**EL51 GLASS BASE
PROFILE 6 METERS**

■ **40-500-037**
Glass Base Profile

■ **41-500-037**
Glass Profile W/Holes



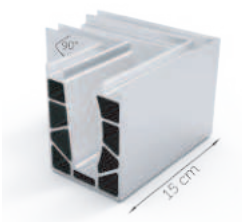
■ **40-500-039**
Top Cover Profile
6 Meters



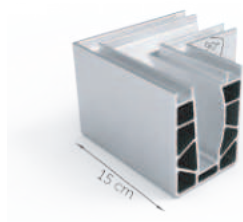
■ **40-500-038**
Cover Profile
6 Meters



■ **40-500-116**
Rubber For
8+8 Glass



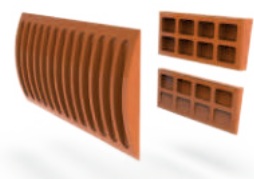
■ **30-500-559**
90° Inner Corner



■ **30-500-560**
90° Outer Corner

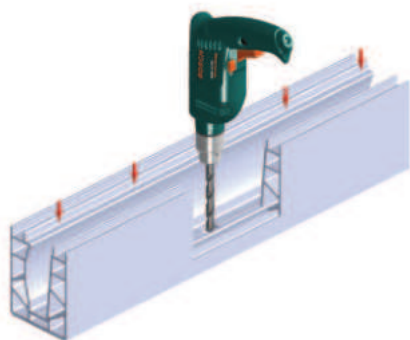


■ **30-500-554**
Endcap

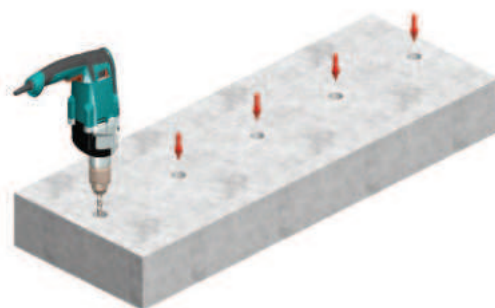


■ **40-500-553**
Wedge Kit for
8+8 Glass

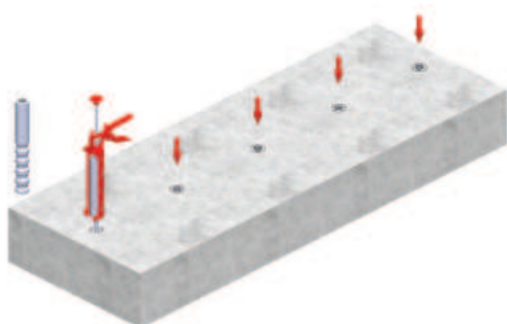
1



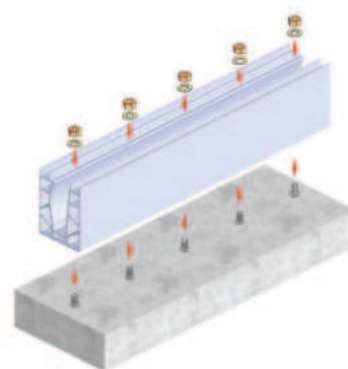
2



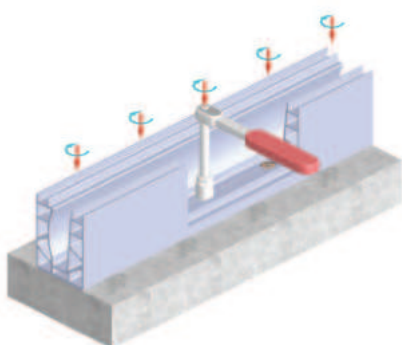
3



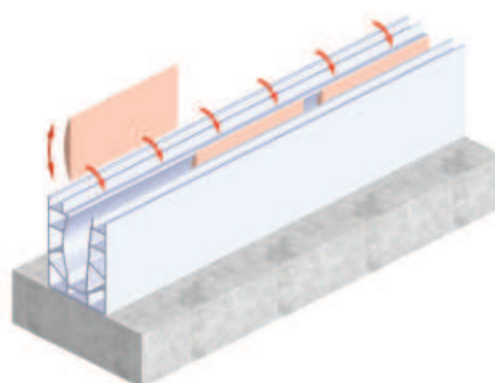
4



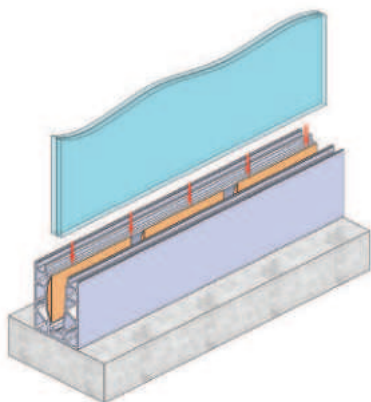
5



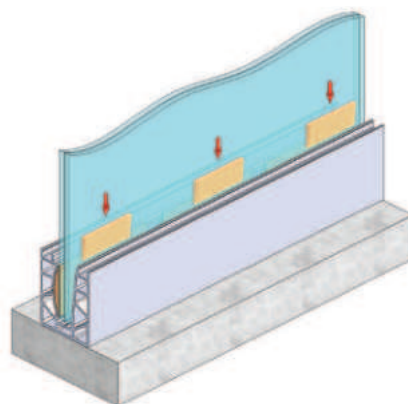
6



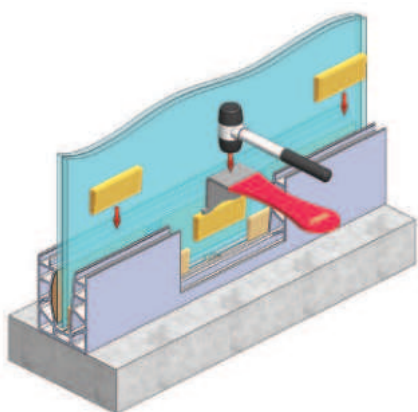
7



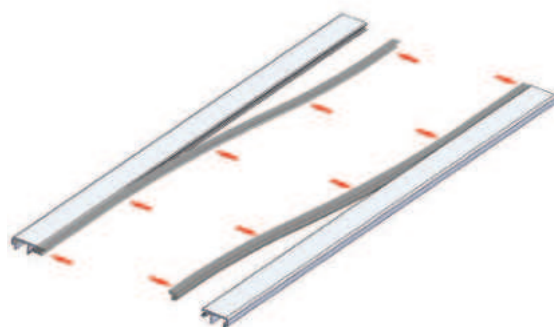
8



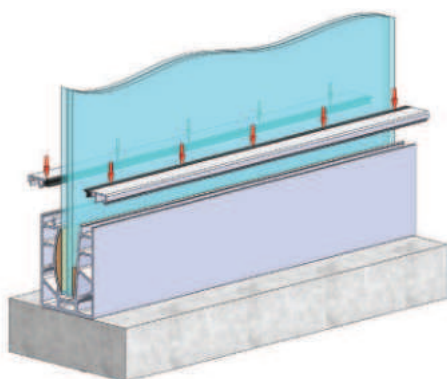
9



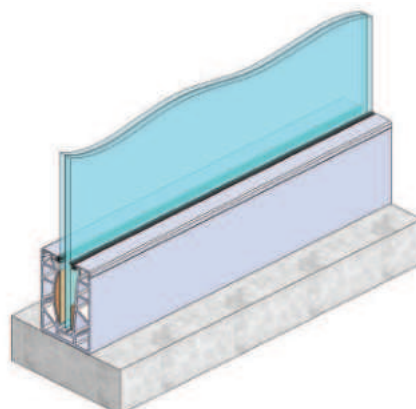
10

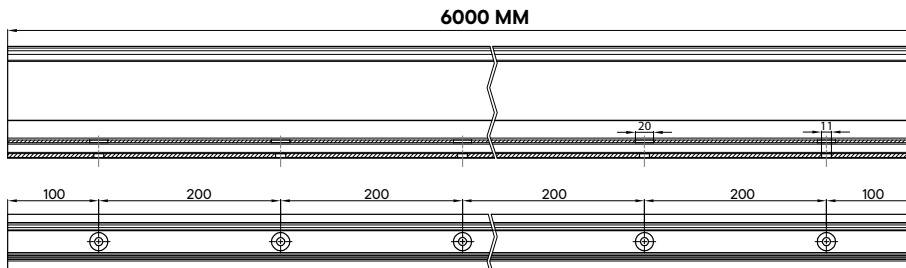
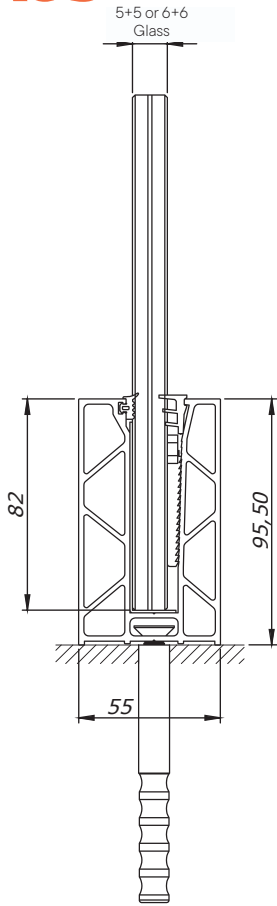


11



12



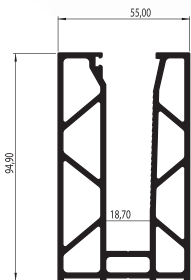


Endureline EL52 provides to use 6 meter whole profile system with 6+6 laminated glasses.

Also with the unique plastic thickening apparatus, EL52 suitable with 5+5 laminated glasses as well. In this way, project owners will save on both glass costs and glass supporter costs.

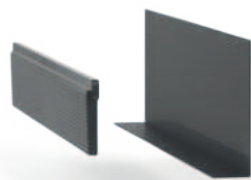
Thanks to its small but maximum durability profile structure, EL52 is the most robust glass supporter system with minimum costs. Another advantage of our EL52 system is that it takes up less space from the space on the balconies thanks to its tiny structure. In this way, it also offers the best solution for small balconies.

Criteria	Value
SafetyLoad	1.2
LineLoad	50 Lbs (225 N)
Pressure	200 Lbs (890 N)
CertifiedPressure	1.0kN
AdviceHeight	Upto120cm(47' / /")
Alignment Capacity	-
Distance/s	-



**EL52 GLASS BASE
PROFILE 6 METERS**

- **40-500-040**
Glass Base Profile
- **41-500-040**
Glass Profile W/Holes



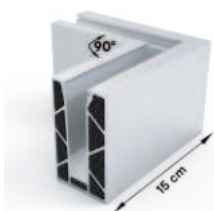
- **30-500-012**
Plastic Compression Set



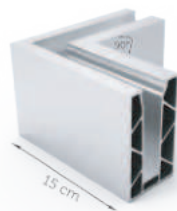
- **40-500-792**
Rubber



- **40-500-001**
Rubber



- **30-500-521**
90° Inner Corner



- **30-500-522**
90° Outer Corner

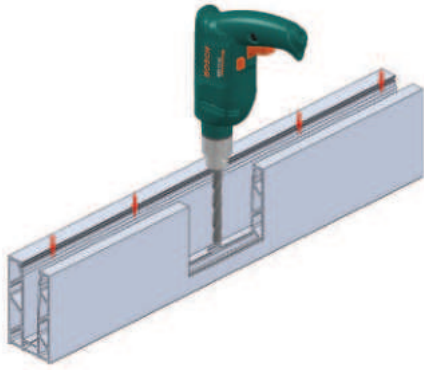


- **40-500-028**
Plastic Compression
Apparatus For 5+5 mm
Glass

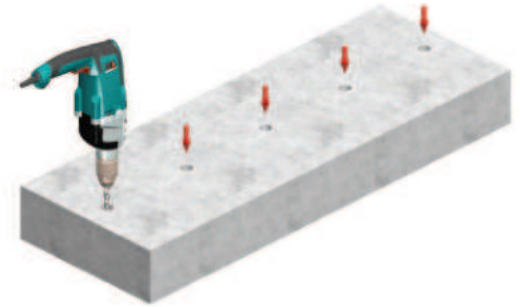


- **30-500-525**
Endcap

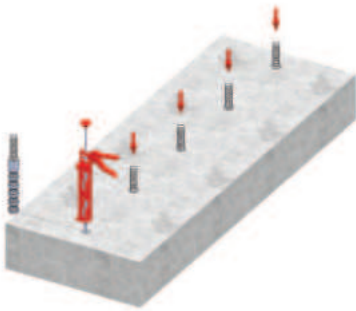
1



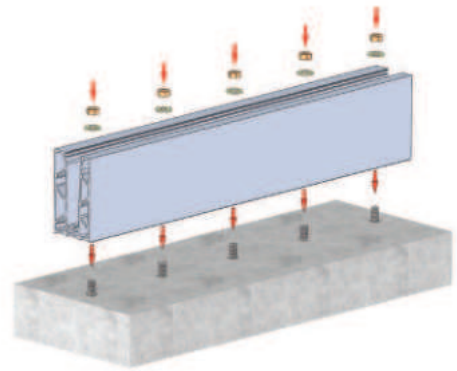
2



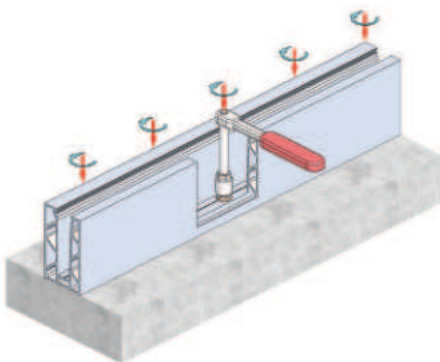
3



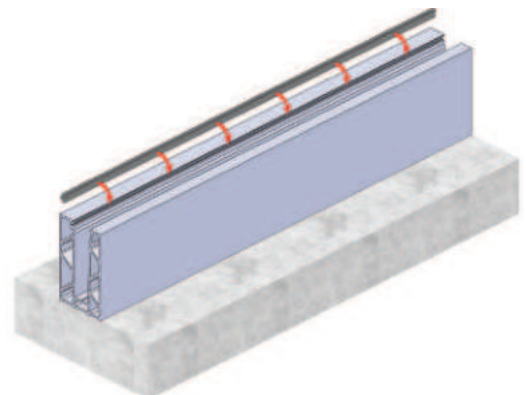
4



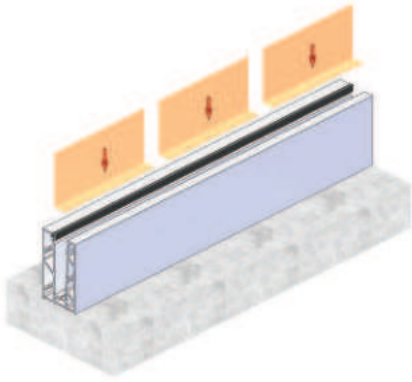
5



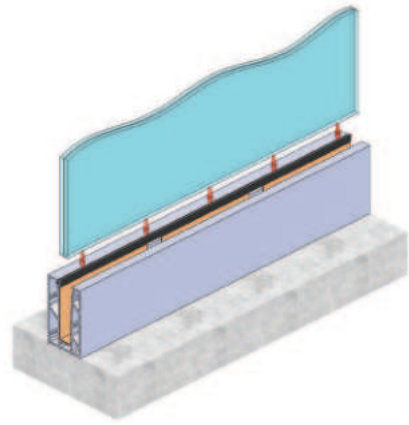
6



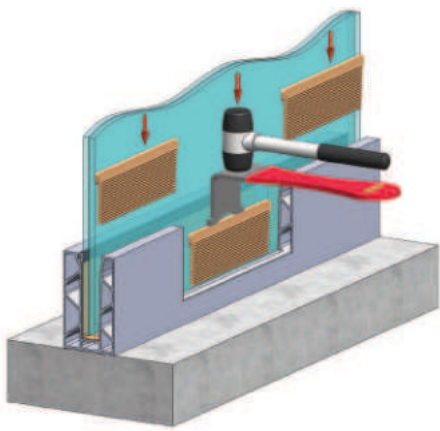
7



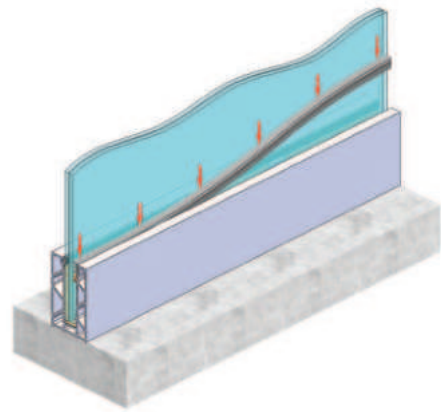
8



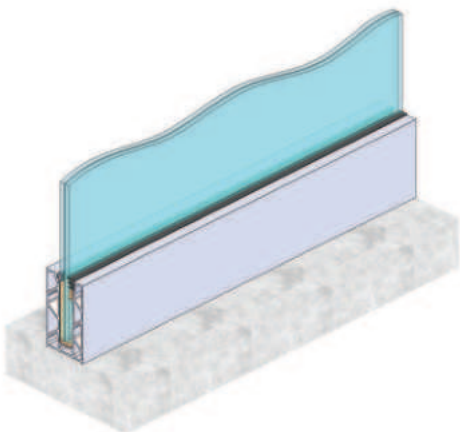
9



10



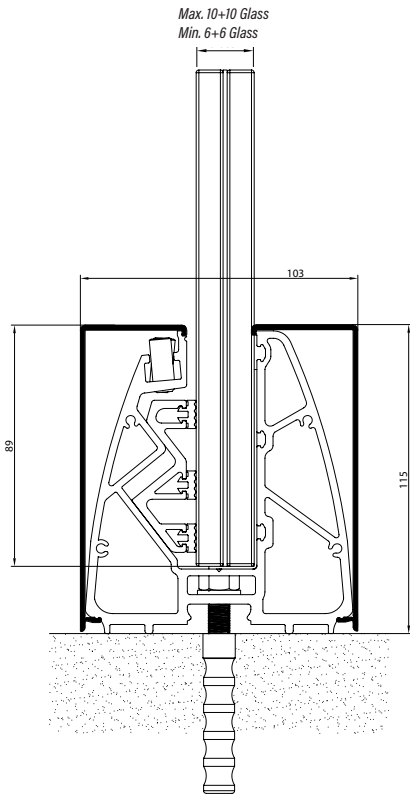
11





SAFELINE SERIES





Safeline SL10 System provides you comfort in assembly and installation with its privileged designs and rational solutions.

- Architectural aesthetics by oval and angled cover.
- Zero deformation thanks to the glass compression devise.
- Eliminates obliqueness by sequential arrangement.
- Aesthetic design with optional Led Lighting.

Criteria	Value
SafetyLoad	1.7
LineLoad	50 Lbs (225 N)
Pressure	200 Lbs (890 N)
CertifiedPressure	2.2kN
AdviceHeight	Upto120cm(47' / 1'")
Alignment Capacity	-
Applied Force	600 J



YouTube



■ **30-500-101**
Glass Base Set 15 cm



■ **30-500-102**
Glass Base Set 30 cm



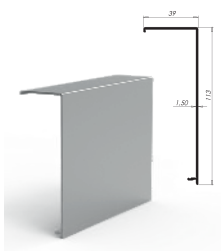
■ **30-500-203**
Endcap



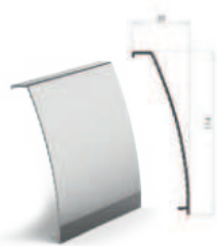
■ **30-500-103**
Endcap



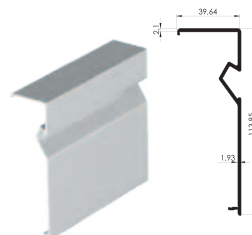
■ **40-500-001**
Rubber



■ **40-500-003**
Cover Profile
6 Meters



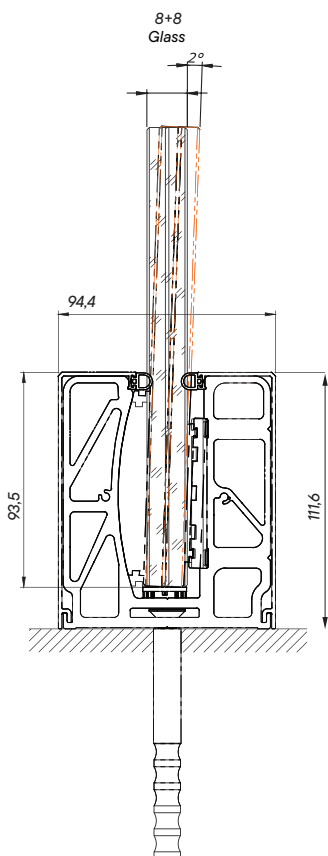
■ **40-500-013**
Cover Profile
6 Meters



■ **40-500-030**
Cover Profile With Led
Channel 6 Meters



■ **40-500-794**
Plastic Led Cover
6 meters



Safeline SL11 System allows to use the system in all unbalanced and problematic surfaces.

- Allows to align the glass approximately 2° on both sides with its unique plastic structure inside.
- Each glass base sets has glass alignment apparatus inside.
- 30 cm base of SL11 has 2 separate glass alignment point of where they meet.
- Suitable with 8+8mm laminated glass.
- High structural strength provides maximum security.
- Zero deformation thanks to the glass compression devices.

Criteria	Value
SafetyLoad	1.2
LineLoad	50 Lbs (225 N)
Pressure	200 Lbs (890 N)
CertifiedPressure	2.2kN
AdviceHeight	Up to 120 cm (47 1/2")
AlignmentCapacity	+/- 1°
Applied Force	590 J



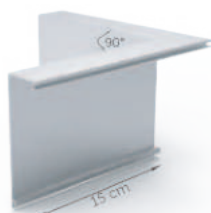
■ **30-500-111**
Glass Base Set 15 Cm



■ **30-500-112**
Glass Base Set 30 Cm



■ **40-500-033**
Cover Profile 6 Meters



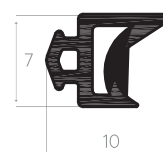
■ **30-500-114**
90° Inner Corner



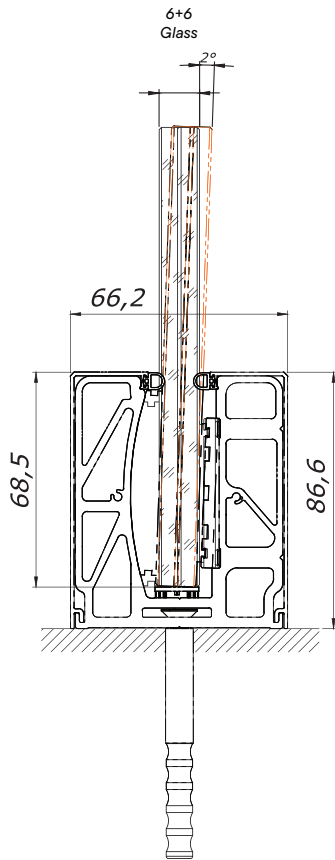
■ **30-500-115**
90° Outer Corner



■ **30-500-113**
Endcap



■ **40-500-116**
Rubber



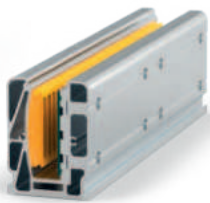
Safeline SL12 System allows you to easily mount the system on all unstable and problematic surfaces.

- Allows to align the glass approximately 2° on both sides with its unique plastic structure inside.
- SL12 is suitable with 6+6 mm laminated glass
- Each glass base sets has glass alignment apparatus inside.
- 30 cm Base the Glasses has 2 separate glass alignment point of where they meet
- Suitable with 6+6mm laminated glass.
- High structural strength provides maximum security.

Criteria	Value
SafetyLoad	1.0
LineLoad	50 Lbs (225 N)
Pressure	200 Lbs (890 N)
ProovedPressure	1.3kN
AdviceHeight	Upto120cm(47' / 1")
Alignment Capacity	+/- 1°
Distance/s	-



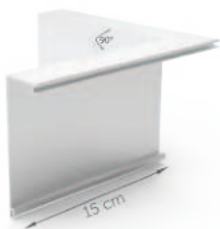
■ **30-500-121**
Glass Base Set 15 Cm



■ **30-500-122**
Glass Base Set 30 Cm



■ **40-500-029**
Cover Profile 6 Meters



■ **30-500-124**
90° Inner Corner



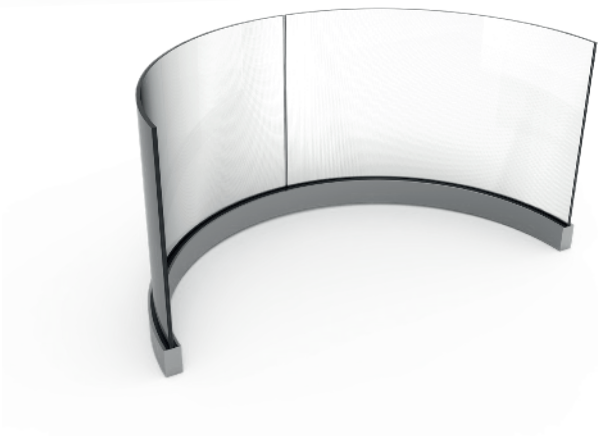
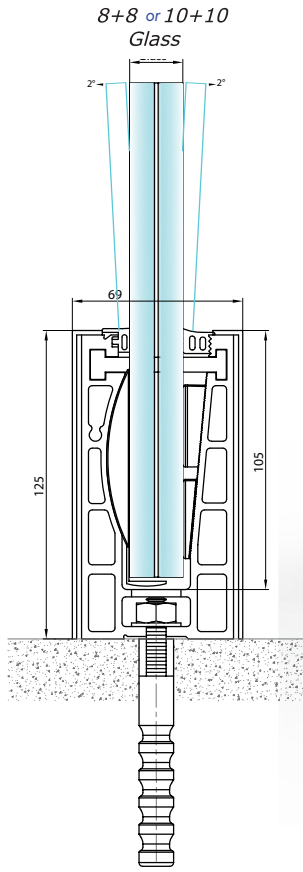
■ **30-500-125**
90° Outer Corner



■ **30-500-123**
Endcaps



■ **40-500-116**
Rubber



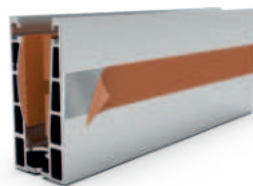
Safeline SL13 model is giving you to use parts of glass shoes and arrange based on architectural requirements of bending for degree turn such as building edges bow style or bay windows.

Besides it has the option of bended covers just a stick on shoe bases. Only tear the adhesive tapes and paste.

Criteria	Value
SafetyLoad	-
LineLoad	50 Lbs (225 N)
Pressure	200 Lbs (890 N)
CertifiedPressure	-
AdviceHeight	Up to 120 cm (47 1/2")
AlignmentCapacity	-
Distance/s	-



■ **30-500-140**
Glass Base Set 15 cm
For 8+8 Glass



■ **30-500-141**
Glass Base Set 30 cm
For 8+8 Glass



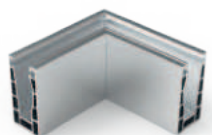
■ **40-500-075**
Cover Profile
6 Meters



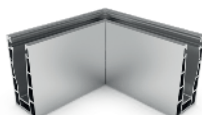
■ **30-500-142**
Endcap

■ **30-500-145**
Glass Base Set 15 cm
For 10+10 Glass

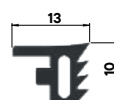
■ **30-500-146**
Glass Base Set 30 cm
For 10+10 Glass



■ **30-500-143**
90° Outer Corner



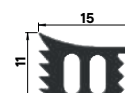
■ **30-500-144**
90° Inner Corner



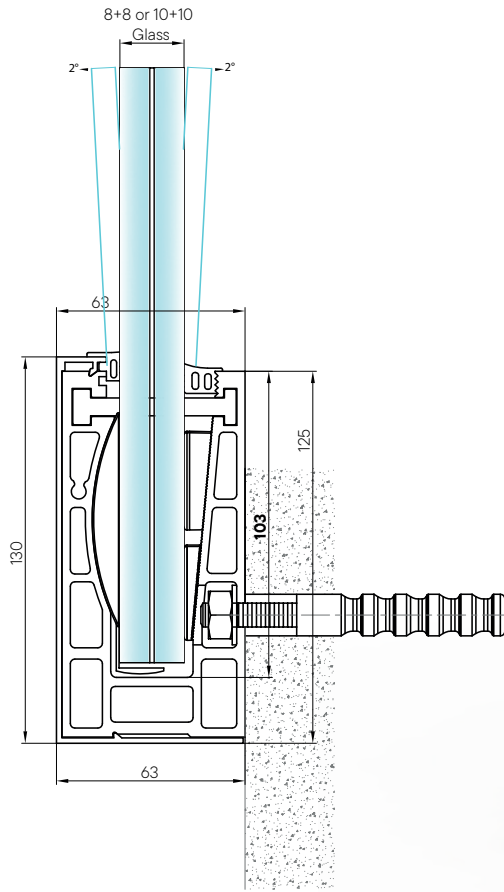
■ **40-500-796**
Rubber



■ **40-500-797**
Rubber For
8+8 Glass



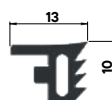
■ **40-500-798**
Rubber For
10+10 Glass



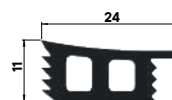
Safeline SL30, one of our rich profile options, is suitable for different architectures stands out with its reliable holding strength and optimalist design.

- High strength of complete profile use and connector pins make your assembling easy.
- Complies with worldwide safety and building regulations.
- Uses the safety wedge system for easy glass installation.
- All colour range possible with customize.
- Wedge system allows +/- 2° glass alignment.
- Thanks to the tie / neck system accessory much more strong against impacts.
- Extra cap for side contact has ability of hide and / or same elevation with claddings and isolation.
- With side contact desing gives advantage of slab place mount to the edges when assembling.
- Model helps you when edges no space enough or isolation goes to the whole area.

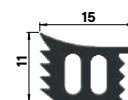
Criteria	Value
SafetyLoad	1.2
LineLoad	50 Lbs (225 N)
Pressure	200 Lbs (890 N)
CertifiedPressure	2.2kN
AdviceHeight	Upto120cm(47'1' / ")
Alignment Capacity	+/- 2°
Distance/s	-



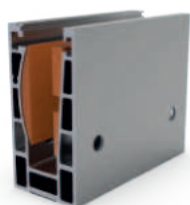
■ **40-500-796**
Rubber



■ **40-500-797**
Rubber For
8+8 Glass



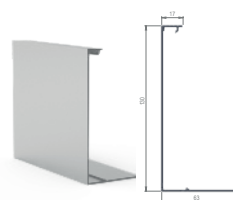
■ **40-500-798**
Rubber For
10+10 Glass



■ **30-500-340**
Glass Base Set 15cm
For 8+8 Glass



■ **30-500-341**
Glass Base Set 30 Cm
For 8+8 Glass



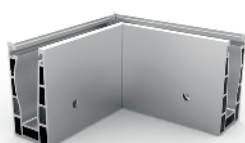
■ **40-500-076**
Cover Profile
6 Meters



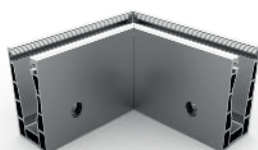
■ **30-500-342**
Endcap

■ **30-500-347**
Glass Base Set 15cm
For 10+10 Glass

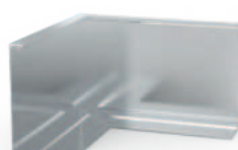
■ **30-500-348**
Glass Base Set 30 Cm
For 10+10 Glass



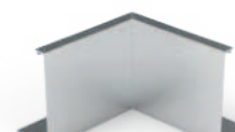
■ **30-500-343**
90° Outer Corner



■ **30-500-344**
90° Inner Corner



■ **30-500-345**
90° Outer Corner



■ **30-500-346**
90° Inner Corner

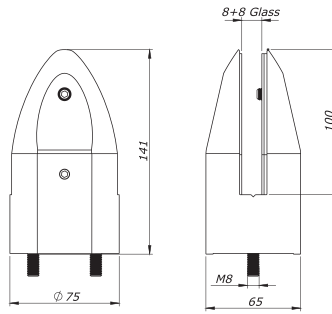


A60 SERIES

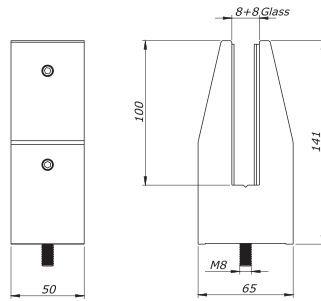




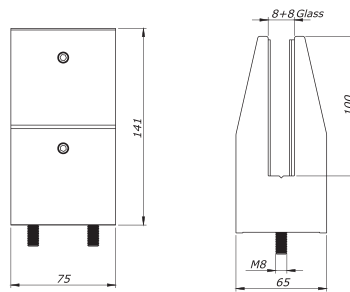
■ **30-500-603**
Elliptical Glass Holder



■ **30-500-607**
Block Type Glass Holder 5 cm

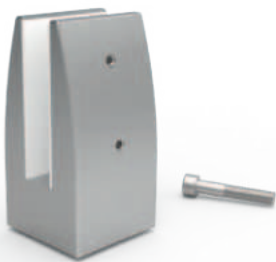
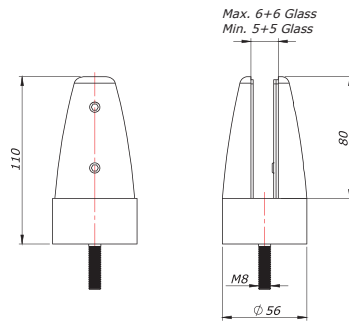


■ **30-500-606**
Block Type Glass Holder 7,5 cm

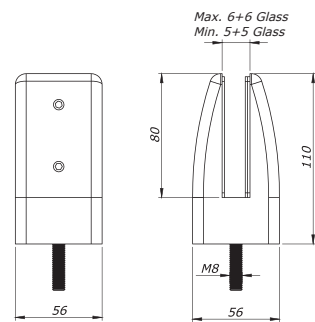




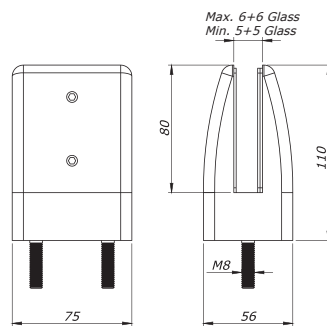
■ **30-500-605**
Small Glass Holder



■ **30-500-632**
Block Type Glass Holder 5,6 cm



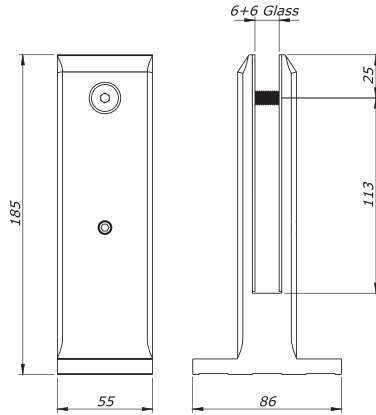
■ **30-500-631**
Block Type Glass Holder 7,5 cm



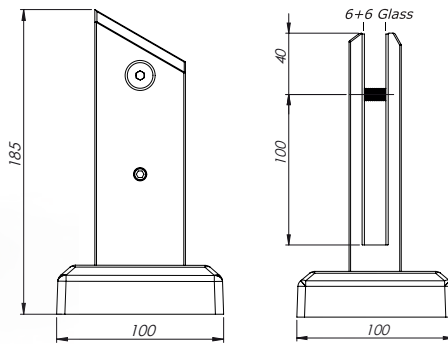
A60
SERIES



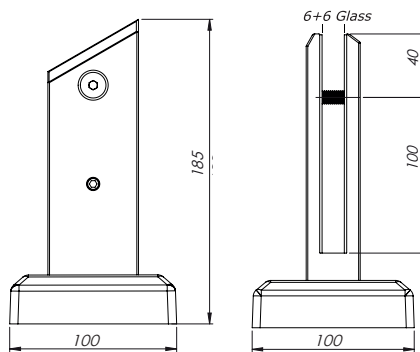
30-500-636
Square Glass Holder



30-500-626
Square Glass Holder Right



30-500-627
Square Glass Holder Left

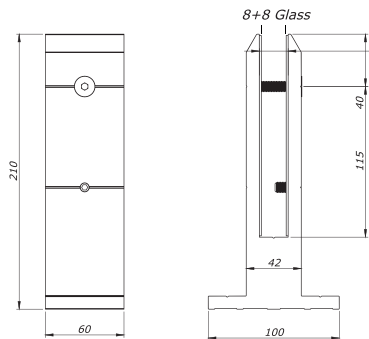




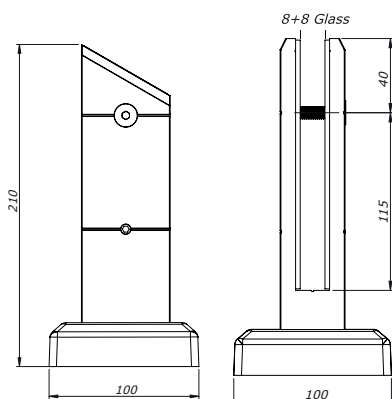
YouTube



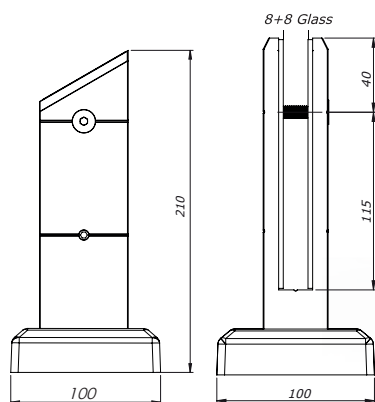
30-500-602
Square Glass Holder



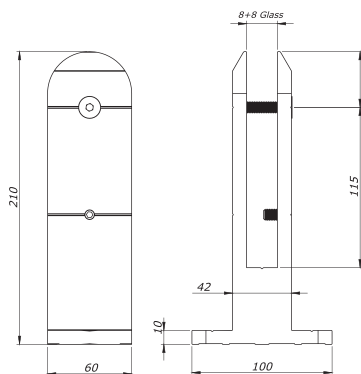
30-500-628
Square Glass Holder Right



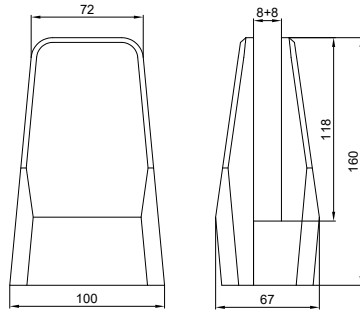
30-500-629
Square Glass Holder Left



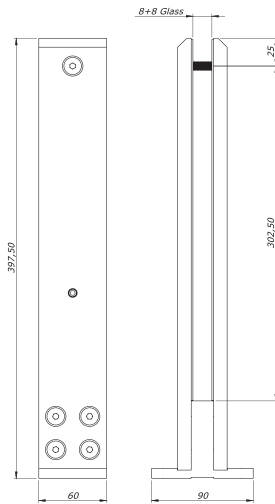
30-500-609
Glass Holder with Radius



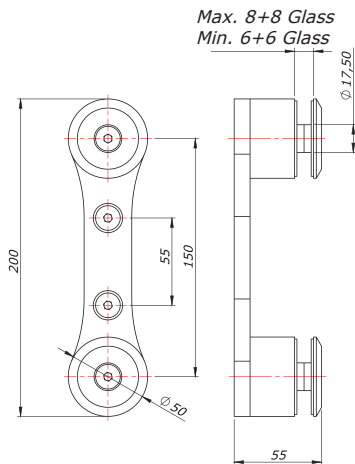
Bolts & Anchors are subject to separate sales.



■ **30-500-666**
Diamond Model Glass Holder



■ **30-500-651**
Extended Square Glass Holder
(Height 40 cm)



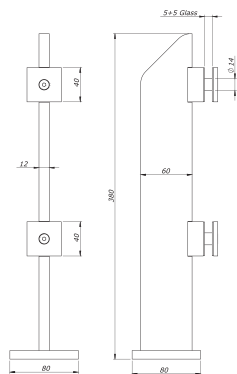
■ **30-500-613**
Double Glass Connection
Socket - Round



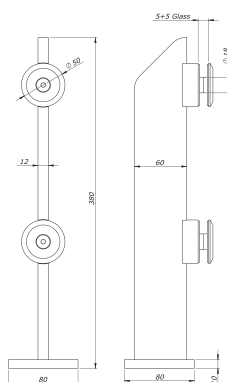
YouTube



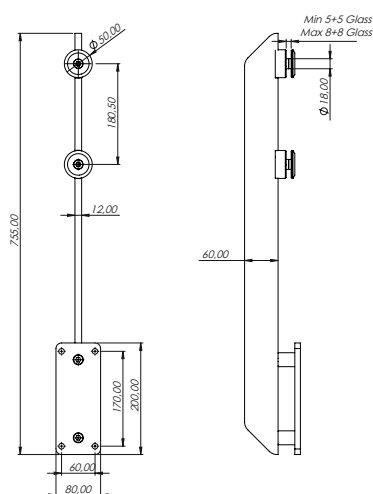
30-500-610
Glass Connector Lama W/Double
Square Sockets

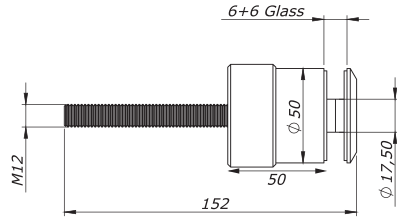


30-500-611
Glass Connector Lama W/Double
Round Sockets

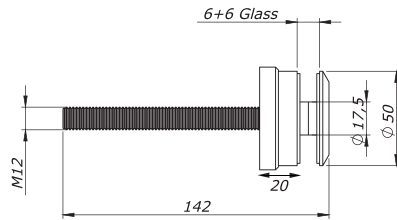


30-500-641
Glass Side Connector Lama W/Double
Round Sockets

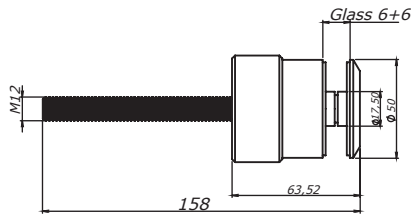




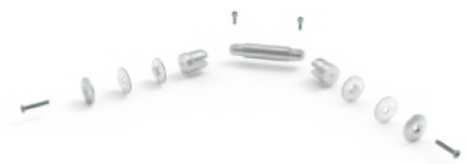
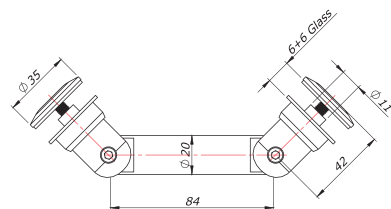
30-100-912
Glass Wall Connector ($\phi 50$)



30-100-921
Small Glass Wall Connector ($\phi 50$)



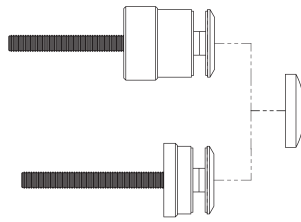
30-100-925
Glass Wall Connector (Align Adjustable)



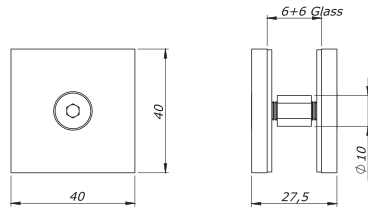
30-500-623
Double Glass Interconnection Spider



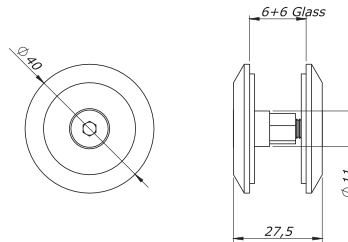
30-100-922
Glass To Wall Connector
Cover (Ø50)



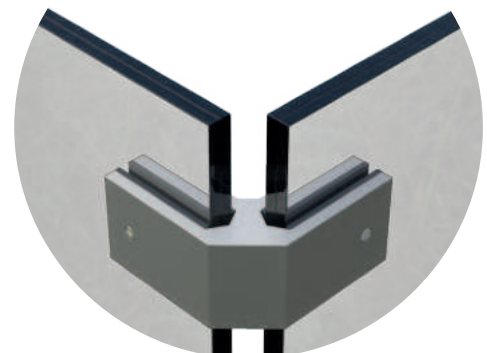
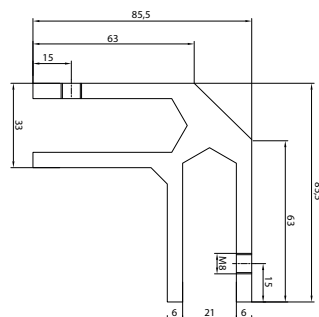
30-500-621
Glass Aligner (Square)



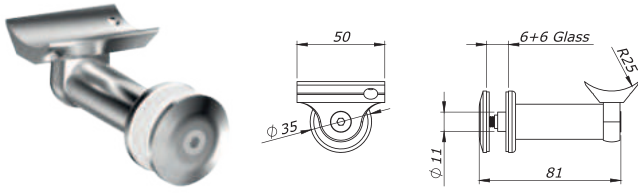
30-500-622
Glass Aligner (Round)



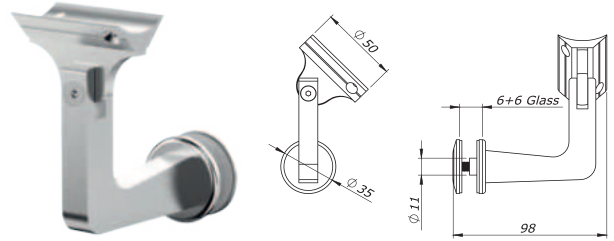
30-500-664
Corner Aligner Square
For 8+8 mm Glass



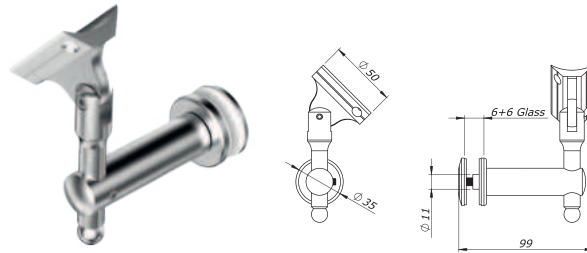
30-500-663
Corner Aligner Square
For 6+6 mm Glass



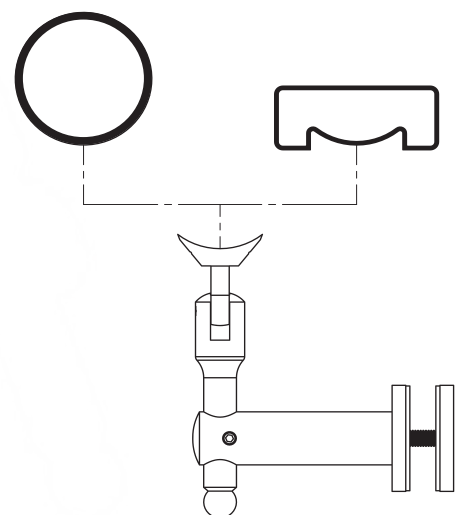
■ **30-100-910**
Glass Railing Armature for Ø50 mm



■ **30-100-913**
Glass Railing Joint Kit for Ø50 mm

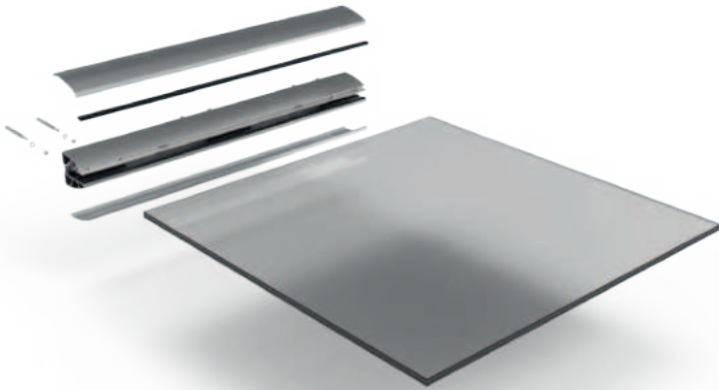


■ **30-100-911**
Glass Railing Joint Kit for Ø50 mm





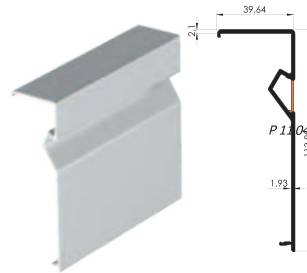
*Akos
Smart
Designs*



■ **30-500-118**
Glass Base Set
100 cm



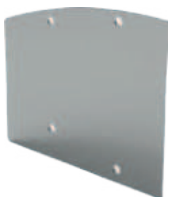
■ **30-500-119**
Glass Base Set
120 cm



■ **40-500-030**
Cover Profile With Led
Channel 6 Meters



■ **40-500-013**
Cover Profile
6 Meters



■ **30-500-103**
Side Caps



■ **40-500-794**
Plastic Led Cover
6 Meters



■ **40-500-001**
Rubber

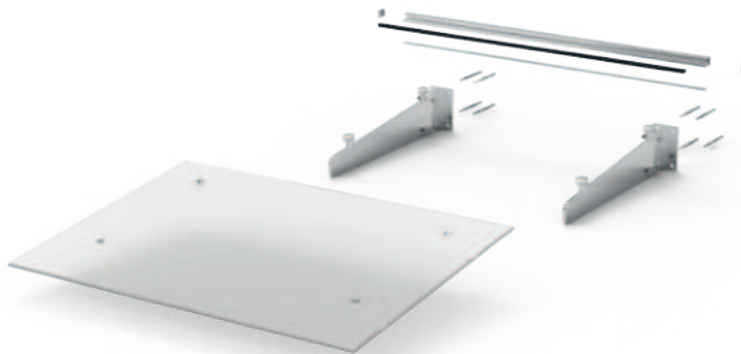


■ **30-500-014**
8 Metric Anchor

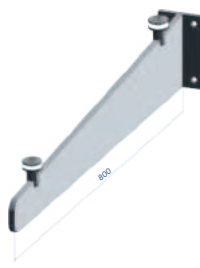


■ **40-001-020**
M8 Hexagon
Nut

**ALUPORCH
CANOPY**



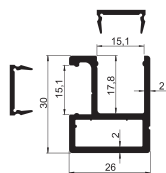
■ **30-480-001**
Beam (60 cm)



■ **30-480-002**
Beam (80 cm)



■ **30-480-003**
Beam (100 cm)



■ **40-200-007**
Holder Profile
6 Meters



■ **40-001-002**
Cover Profile
6 Meters



■ **40-500-001**
Rubber



■ **30-500-013**
8 Metric Anchor

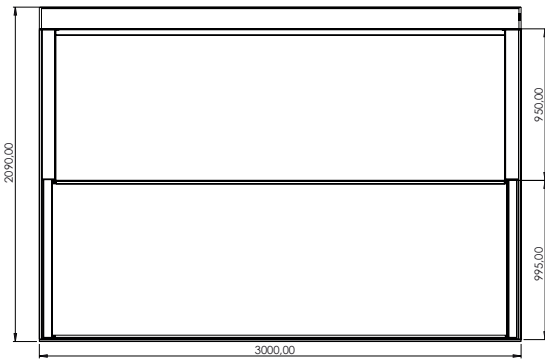


■ **30-500-014**
8 Metric Anchor



■ **40-500-019**
Dome Nut M8

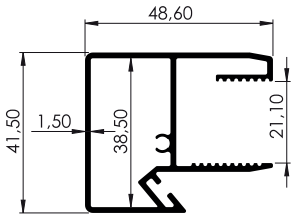
Guillotin Systems upto 200x200cm Places



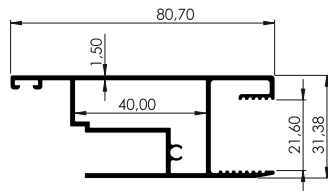
Clean Opening Operation
Step 1



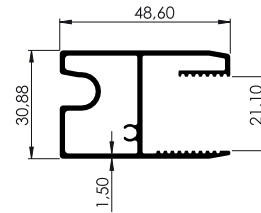
Clean Opening Operation
Step 2



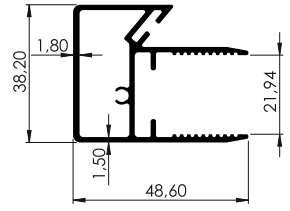
40-600-001
Wing Profile



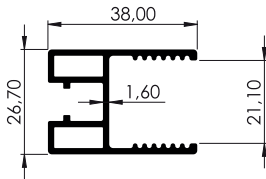
40-600-002
Wing Profile



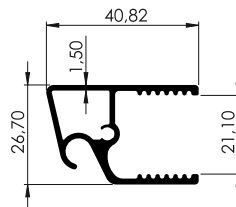
40-600-003
Wing Profile



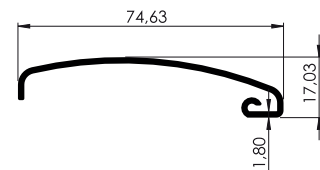
40-600-004
Wing Profile



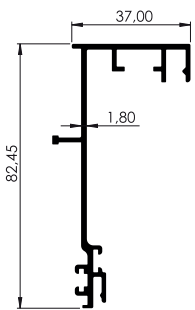
40-600-005
Wing Profile



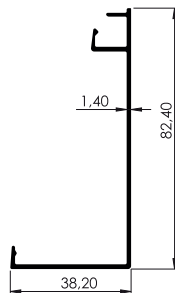
40-600-006
Wing Profile



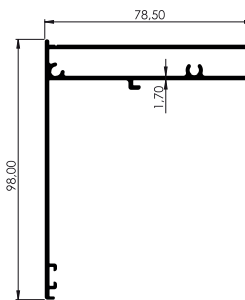
40-600-007
Wing Profile



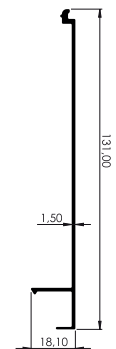
40-600-008
Side Profile



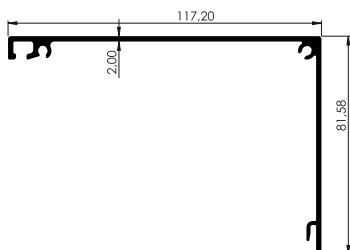
40-600-009
Strut Profile



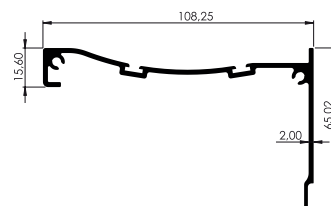
40-600-010
Cover Profile



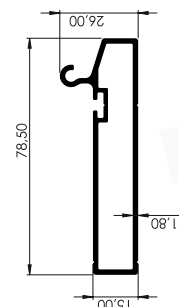
40-600-011
Side Profile



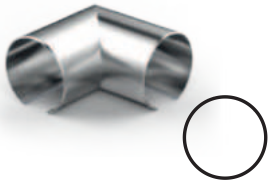
40-600-012
Engine Case



40-600-013
Cover Profile



40-600-014
Holder Profile



30-150-506
50' Elbow With Glass
Channel 90°



30-150-508
50' Elbow With Glass
Channel 45°



30-150-302
50' Ground Flange
Externally Screwed



30-150-303
50' Wall Flange
(Double Hole)



30-150-304
50' Ground Flange Cover



30-150-305
50' Adjustable Wall
Flange



30-150-501
50' Smart Sphere Elbow



30-150-502
50' Sphere Elbow
(ECO)



30-150-503
50' Inflate Elbow



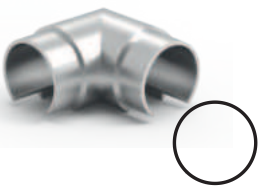
30-150-504
50' Inflate Elbow



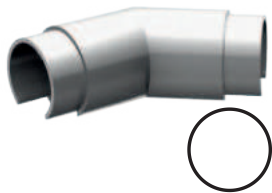
30-150-601
50' Smart Pipe
Connector



30-150-603
50' Ring (3 cm)



30-150-518
50' Inward Elbow With
Glass Channel 90°



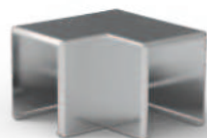
30-150-519
50' Inward Elbow With
Glass Channel 45°



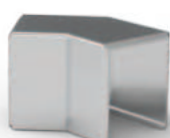
30-150-701
50' Plug



30-150-704
50' Plug With Channel



■ **30-230-511**
26x30 Corner 90°



■ **30-230-512**
26x30 Corner 45°



■ **30-230-301**
26X30 mm Wall
Flange



■ **30-230-701**
26X30 mm Square
Plug



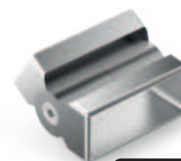
■ **30-230-509**
26x30 Ring



■ **30-260-501**
60X25 mm Square Elbow With
Horizontal Moving



■ **30-260-502**
60X25 mm Square Elbow
With One Side Moving



■ **30-260-503**
60X25 mm Square Elbow
With Vertical Moving



■ **30-260-504**
60X25 mm Square
Elbow With Side
Moving



■ **30-260-508**
60X25 mm Square
Elbow 90°
(Middle Channel)



■ **30-260-509**
60X25 mm Square Elbow
45°(Middle Channel)



■ **30-260-702**
60X25 mm Square Plug



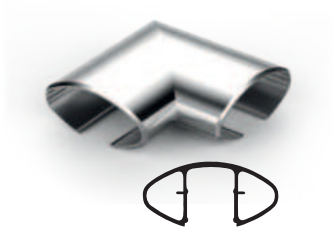
■ **30-260-601**
60X25 mm Ring



■ **30-260-301**
60X25 mm Wall Flange



■ **30-260-305**
60X25 mm Wall Flange



30-360-513
 Elliptic 60x25 Elbow 90°
 (Middle Channel)



30-360-514
 Elliptic 60x25 Elbow 45°
 (Middle Channel)



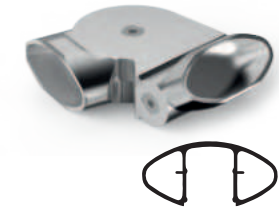
30-360-301
 360-301 Elliptic 60x25
 Wall Flange



30-360-701
 Elliptic 60x25 Plug



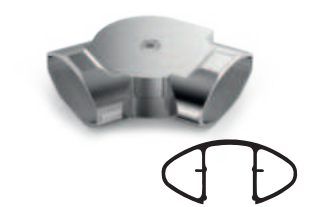
30-360-501
 Elliptic 60x25 Elbow for
 Both Side Moving



30-360-502
 Elliptic 60x25 Elbow With
 One Side Moving



30-360-503
 Elliptic 60x25 Elbow With
 Vertical Moving



30-360-504
 Elliptic 60x25 Elbow With
 Side Moving



30-360-601
 Elliptic 60x25 Ring



■ **40-100-001**
Pistol for Epoxy



■ **40-100-002**
410 gr Epoxy Adhesive



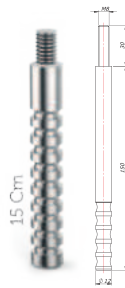
■ **40-500-066**
Marine Sealant



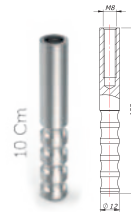
■ **40-100-006**
Granit Cutter Tool



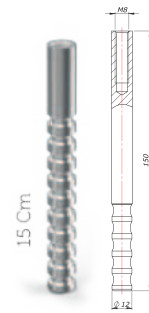
■ **30-500-013**
Anchor M8



■ **30-500-014**
Anchor M8



■ **30-500-015**
Anchor M8



■ **30-500-016**
Anchor M8



■ **40-500-017**
15 cm Screw + Dowel



■ **40-500-064**
M10 Clips Dowel Screw
180mm



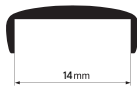
■ **40-500-065**
M12x150mm
Concrete Screw



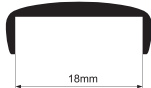
■ **40-500-018**
Inox Screw M8



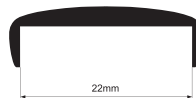
■ **40-500-019**
Dome Nut M8



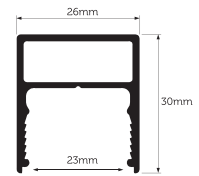
■ **40-001-003**
Glass Cover Profile
6 Meters



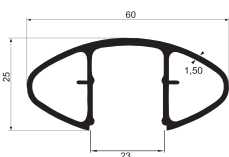
■ **40-001-005**
Glass Cover Profile
6 Meters



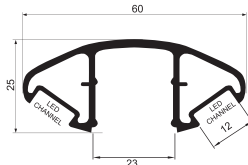
■ **40-001-006**
Glass Cover Profile
6 Meters



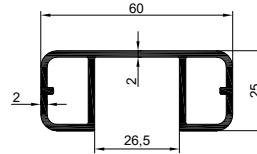
■ **40-001-009**
Glass Cover Profile
6 Meters



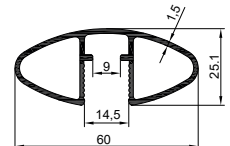
■ **40-300-003**
Top Handrail
60x25mm Elliptic
6 Meters



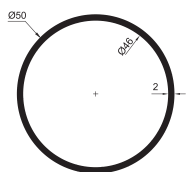
■ **40-500-031**
Top Handrail 60x25mm
With Led Channel 6 Meters



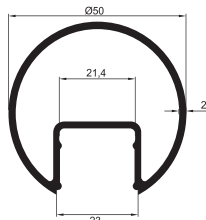
■ **40-200-016**
Top Handrail
60x25mm 6 Meters



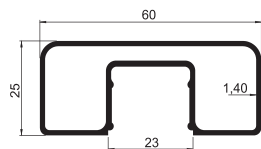
■ **40-300-008**
Top Handrail 60x25mm
Elliptic 6 Meters



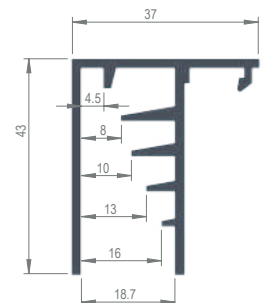
■ **40-100-012**
Top Handrail
Round 6 Meters



■ **40-100-032**
Top Handrail
Round for Glass
6 Meters



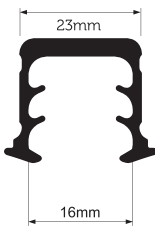
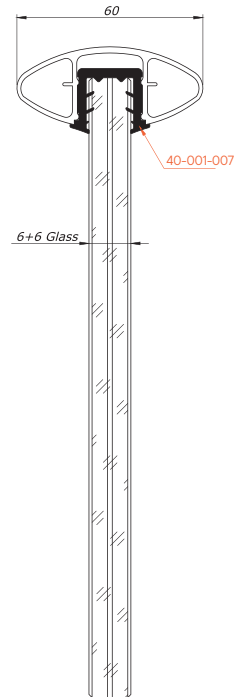
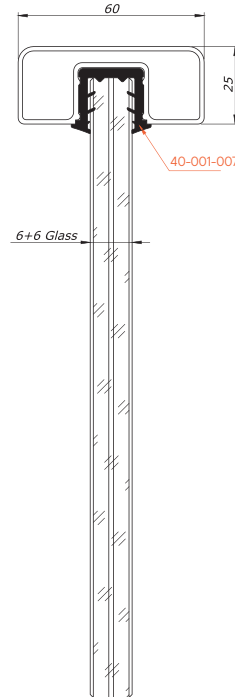
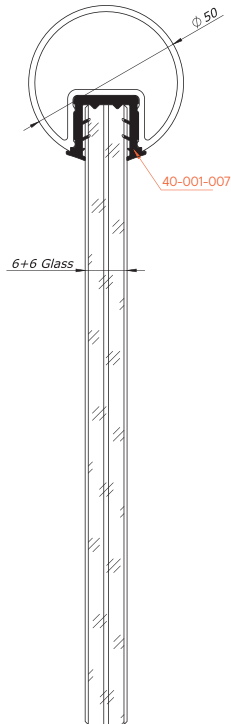
■ **40-200-003**
Top Handrail
60x25mm Glass
6 Meters



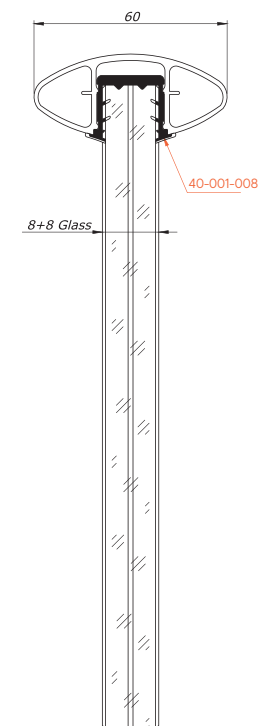
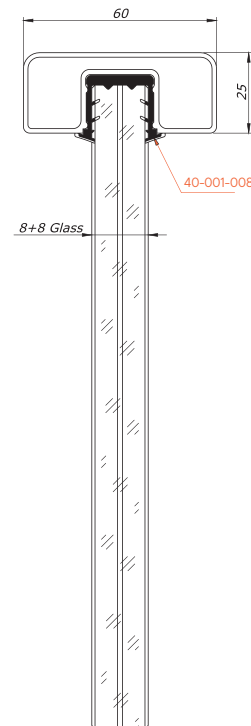
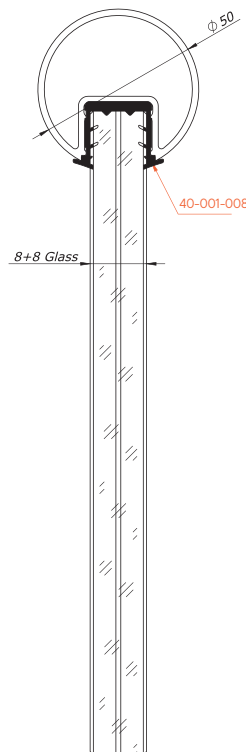
■ **40-500-078**
Composite Cover Profile
5 Meters



■ **40-001-007**
Glass Fitting
Rubber



■ **40-001-008**
Glass Fitting
Rubber





Use of glass panels in AKOS installations A wide range of glass panels can be integrated with AKOS system, in various thicknesses and characteristics according to specifications. There are two main categories according to EN12543 and EN12600 specified by the European Union concerning the thermal treatment of the glass. More specifically, EN12543 specifies the use of tempered and laminated glass with the insert of PVB membranes.



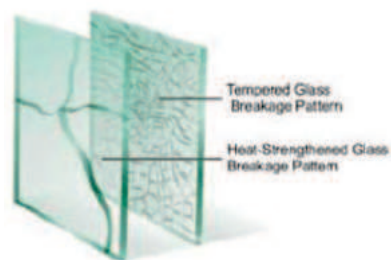
This type of glass panels has the following qualities:

- a) In case of breakage, they do not break in large and sharp pieces.



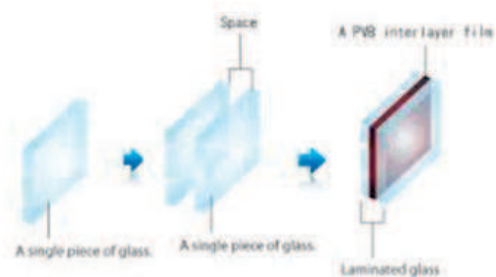
Laminated Glass TRIPLEX glass with PVB membrane

- a) Even in case of such breakage, the broken glass pieces remain attached on the PVB surface without putting in danger the safety of nearby persons. The fabrication of these tempered and laminated glass panels is being carried out by thermal treatment of ordinary glass which is afterwards sandwiched together with the PVB membranes to give the various grades and thickness of laminated glass panels.





(PVB), placed in layers between the glass.
Rollers press the layers together to expel any air pockets.



Toughened Glass Thermally Toughened glass



In the following pictures show the different types of breakage:
a) Tempered and laminated glass, and
b) Ordinary tempered glass.
PVB films the common characteristics amongst the two categories mentioned previously, are the use of the PVB interlayer films.



The glass is then heated to 700 C in a pressurized oil bath to permanently bond all layers together. Typically, the thickness of each PVB film is 0,38 mm, additional layers of glass and PVB film increase the strength of the material. Applying two interlayers of film, the thickness becomes 0,78 mm, with three at 1,14 mm and so on. Apart from the different thickness of glass and PVB, a wide range of colored PVB, for example grey, blue green or yellow is available, offering a particular esthetique to modern buildings.

According to European Norms (EN 12600) the minimum number of films required is two, however AKOS recommends the use of glass with four PVB films for maximal security. Even in the event that the glass breaks, the two layers are held together by the PVB, allowing the sheet as a whole to bend and absorb the impact. This characteristic is especially important for places where safety or security are paramount. Types of security glasses the most common type Triplex glass consists of the combination of Heat Strengthened Glass – PVB – Heat Strengthened Glass. The result of a Heat Strengthened glass panel will resist two times stronger than ordinary glass, where a unified static force has been applied (EN 12543), to one of the same thickness. The second type of Triplex glass, and the one which meets the safety criteria is Thermally Toughened Glass, and its combination with PVB, known as toughened glass. Toughened Glass is manufactured by subjecting the finished glass size to a heating and cooling treatment which set up high compressive stresses at the surface, and balancing tensile stresses in the center of the glass, thus increasing its strength. The result is a glass that is 5 times stronger than ordinary glass. Heat strengthened glass is produced by a similar process to toughened glass, however, the strength developed is about half that of toughened glass, and its breakage resembles that of annealed glass. AKOS strongly recommends the use of Heat Strengthened Glass with the installation of any type of AKOS system.

- NOTE:Also; AKOS can do some mechanical operations on the glass in the direction of the customer's request. Connection holes, rodaj etc.
- Please contact us regarding Glass and PVB colours.
- The loads are made with wooden boxes for minimal deformation. The weights given are the weight of wooden boxes.



4 + 4 mm Laminated Glass

90 cm GLASS HEIGHT	LENGTH mm [W]	GLASS WIDTH [T]		WEIGHT [KG]	100 cm GLASS HEIGHT	LENGTH mm [W]	GLASS WIDTH [T]		WEIGHT [KG]	110 cm GLASS HEIGHT	LENGTH mm [W]	GLASS WIDTH [T]		WEIGHT [KG]
9010-8	100	8	(41,52-4)	1,8	10010-8	100	8	(41,52-4)	2	11010-8	100	8	(41,52-4)	2,2
9020-8	200	8	(41,52-4)	3,6	10020-8	200	8	(41,52-4)	4	11020-8	200	8	(41,52-4)	4,4
9030-8	300	8	(41,52-4)	5,4	10030-8	300	8	(41,52-4)	6	11030-8	300	8	(41,52-4)	6,6
9040-8	400	8	(41,52-4)	7,2	10040-8	400	8	(41,52-4)	8	11040-8	400	8	(41,52-4)	8,8
9050-8	500	8	(41,52-4)	9,0	10050-8	500	8	(41,52-4)	10	11050-8	500	8	(41,52-4)	11
9060-8	600	8	(41,52-4)	10,8	10060-8	600	8	(41,52-4)	12	11060-8	600	8	(41,52-4)	13,2
9070-8	700	8	(41,52-4)	12,6	10070-8	700	8	(41,52-4)	14	11070-8	700	8	(41,52-4)	15,4
9080-8	800	8	(41,52-4)	14,4	10080-8	800	8	(41,52-4)	16	11080-8	800	8	(41,52-4)	17,6
9090-8	900	8	(41,52-4)	16,2	10090-8	900	8	(41,52-4)	18	11090-8	900	8	(41,52-4)	19,8
90100-8	1000	8	(41,52-4)	18,0	100100-8	1000	8	(41,52-4)	20	110100-8	1000	8	(41,52-4)	22
90110-8	1100	8	(41,52-4)	19,8	100110-8	1100	8	(41,52-4)	22	110110-8	1100	8	(41,52-4)	24,2
90120-8	1200	8	(41,52-4)	21,6	100120-8	1200	8	(41,52-4)	24	110120-8	1200	8	(41,52-4)	26,4

6 + 6 mm Laminated Glass

90 cm GLASS HEIGHT	LENGTH mm [W]	GLASS WIDTH [T]		WEIGHT [KG]	100 cm GLASS HEIGHT	LENGTH mm [W]	GLASS WIDTH [T]		WEIGHT [KG]	110 cm GLASS HEIGHT	LENGTH mm [W]	GLASS WIDTH [T]		WEIGHT [KG]
901012	100	12	(61,52-6)	2,7	1001012	100	12	(61,52-6)	3	1101012	100	12	(61,52-6)	3,3
902012	200	12	(61,52-6)	5,4	1002012	200	12	(61,52-6)	6	1102012	200	12	(61,52-6)	6,6
903012	300	12	(61,52-6)	8,1	1003012	300	12	(61,52-6)	9	1103012	300	12	(61,52-6)	9,9
904012	400	12	(61,52-6)	10,8	1004012	400	12	(61,52-6)	12	1104012	400	12	(61,52-6)	13,2
905012	500	12	(61,52-6)	13,5	1005012	500	12	(61,52-6)	15	1105012	500	12	(61,52-6)	16,5
906012	600	12	(61,52-6)	16,2	1006012	600	12	(61,52-6)	18	1106012	600	12	(61,52-6)	19,8
907012	700	12	(61,52-6)	18,9	1007012	700	12	(61,52-6)	21	1107012	700	12	(61,52-6)	23,1
908012	800	12	(61,52-6)	21,6	1008012	800	12	(61,52-6)	24	1108012	800	12	(61,52-6)	26,4
909012	900	12	(61,52-6)	24,3	1009012	900	12	(61,52-6)	27	1109012	900	12	(61,52-6)	29,7
9010012	1000	12	(61,52-6)	27	10010012	1000	12	(61,52-6)	30	11010012	1000	12	(61,52-6)	33
9011012	1100	12	(61,52-6)	29,7	10011012	1100	12	(61,52-6)	33	11011012	1100	12	(61,52-6)	36,3
9012012	1200	12	(61,52-6)	32,4	10012012	1200	12	(61,52-6)	36	11012012	1200	12	(61,52-6)	39,6

8 + 8 mm Laminated Glass

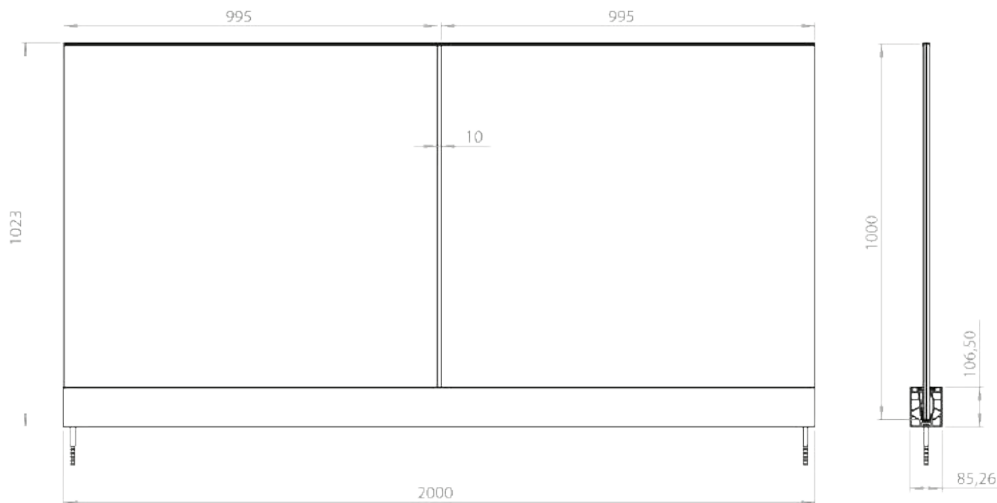
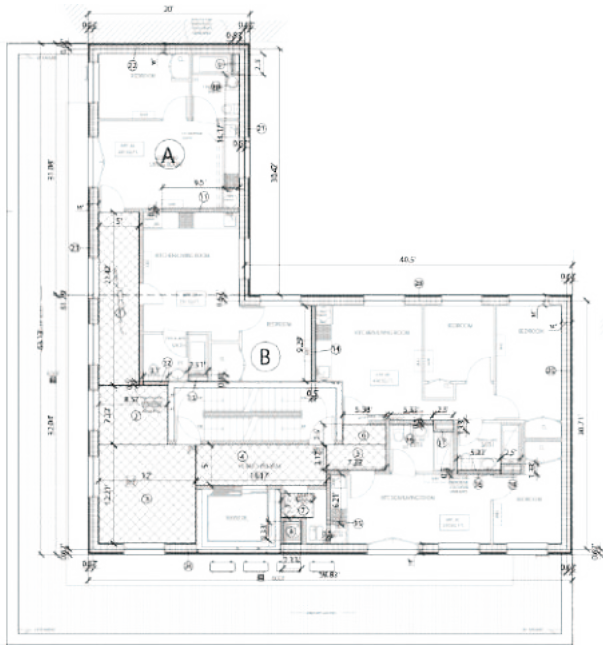
90 cm GLASS HEIGHT	LENGTH mm [W]	GLASS WIDTH [T]		WEIGHT [KG]	100 cm GLASS HEIGHT	LENGTH mm [W]	GLASS WIDTH [T]		WEIGHT [KG]	110 cm GLASS HEIGHT	LENGTH mm [W]	GLASS WIDTH [T]		WEIGHT [KG]
901016	100	16	(81,52-8)	3,6	1001016	100	16	(81,52-8)	4	1101016	100	16	(81,52-8)	4,4
902016	200	16	(81,52-8)	7,2	1002016	200	16	(81,52-8)	8	1102016	200	16	(81,52-8)	8,8
903016	300	16	(81,52-8)	10,8	1003016	300	16	(81,52-8)	12	1103016	300	16	(81,52-8)	13,2
904016	400	16	(81,52-8)	14,4	1004016	400	16	(81,52-8)	16	1104016	400	16	(81,52-8)	17,6
905016	500	16	(81,52-8)	18	1005016	500	16	(81,52-8)	20	1105016	500	16	(81,52-8)	22
906016	600	16	(81,52-8)	21,6	1006016	600	16	(81,52-8)	24	1106016	600	16	(81,52-8)	26,4
907016	700	16	(81,52-8)	25,2	1007016	700	16	(81,52-8)	28	1107016	700	16	(81,52-8)	30,8
908016	800	16	(81,52-8)	28,8	1008016	800	16	(81,52-8)	32	1108016	800	16	(81,52-8)	35,2
909016	900	16	(81,52-8)	32,4	1009016	900	16	(81,52-8)	36	1109016	900	16	(81,52-8)	39,6
9010016	1000	16	(81,52-8)	36	10010016	1000	16	(81,52-8)	40	11010016	1000	16	(81,52-8)	44
9011016	1100	16	(81,52-8)	39,6	10011016	1100	16	(81,52-8)	44	11011016	1100	16	(81,52-8)	48,4
9012016	1200	16	(81,52-8)	43,2	10012016	1200	16	(81,52-8)	48	11012016	1200	16	(81,52-8)	52,8

10 + 10 mm Laminated Glass

90 cm GLASS HEIGHT	LENGTH mm [W]	GLASS WIDTH [T]		WEIGHT [KG]	90 cm GLASS HEIGHT	LENGTH mm [W]	GLASS WIDTH [T]		WEIGHT [KG]	90 cm GLASS HEIGHT	LENGTH mm [W]	GLASS WIDTH [T]		WEIGHT [KG]
9010-20	100	20	-101,521	4,5	10010-20	100	20	-101,521	5	11010-20	100	20	-101,521	5,5
9020-20	200	20	-101,521	9	10020-20	200	20	-101,521	10	11020-20	200	20	-101,521	11
9030-20	300	20	-101,521	13,5	10030-20	300	20	-101,521	15	11030-20	300	20	-101,521	16,5
9040-20	400	20	-101,521	18	10040-20	400	20	-101,521	20	11040-20	400	20	-101,521	22
9050-20	500	20	-101,521	22,5	10050-20	500	20	-101,521	25	11050-20	500	20	-101,521	27,5
9060-20	600	20	-101,521	27	10060-20	600	20	-101,521	30	11060-20	600	20	-101,521	33
9070-20	700	20	-101,521	31,5	10070-20	700	20	-101,521	35	11070-20	700	20	-101,521	38,5
9080-20	800	20	-101,521	36	10080-20	800	20	-101,521	40	11080-20	800	20	-101,521	44
9090-20	900	20	-101,521	40,5	10090-20	900	20	-101,521	45	11090-20	900	20	-101,521	49,5
90100-20	1000	20	-101,521	45	100100-20	1000	20	-101,521	50	110100-20	1000	20	-101,521	55
90110-20	1100	20	-101,521	49,5	100110-20	1100	20	-101,521	55	110110-20	1100	20	-101,521	60,5
90120-20	1200	20	-101,521	54	100120-20	1200	20	-101,521	60	110120-20	1200	20	-101,521	66



1001 Bushwick Avenue Brooklyn, NY / USA



Description

Alusmart™ A51 system used to this renovation city building.

SYSTEM ALUSMART™

Alusmart A51 Continue profile Glass Aligner
Elevation height 1000 mm Glass 8.8.4 (11/16")

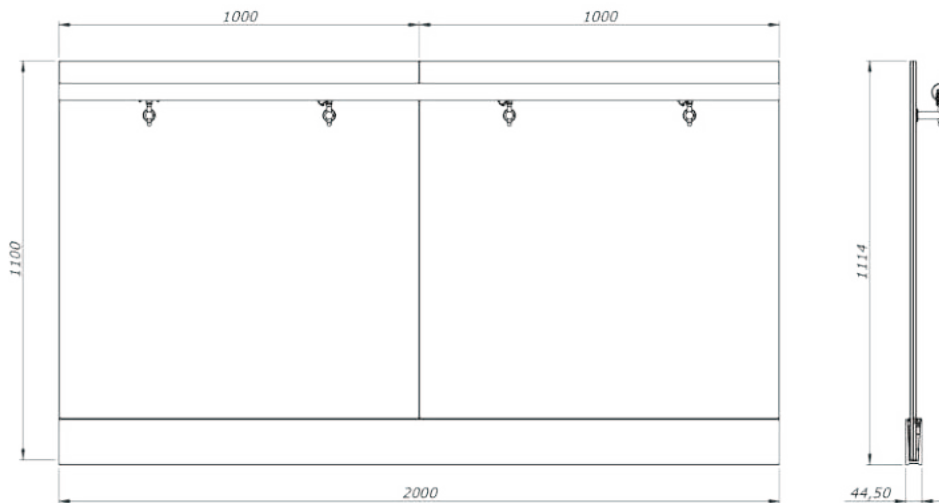
Essentials

- *Uninterrupted Strong Glass Balustrade
- *Upper-Thin Railing Addition

Criteria	Value
Safety Load	1.7
Line Load	50 Lbs (225 N)
Pressure	200 Lbs (890 N)
Certified Pressure	1.3 kN
Advice Height	Up to 120 cm (47 1/4")
Advice Bar Qty	2º +/-
Distance/s	-



Cherry Park Apartments, London / UK



Description

Endureline EL10 series used this ambient for ultra modern looking on Ancient London Atmosphere and creating spacious environments.

SYSTEM ALUSMART™

Endureline EL10 Box Model on ground application
Elevation Height 1100 mm Glass 10.10.4 (27/32")

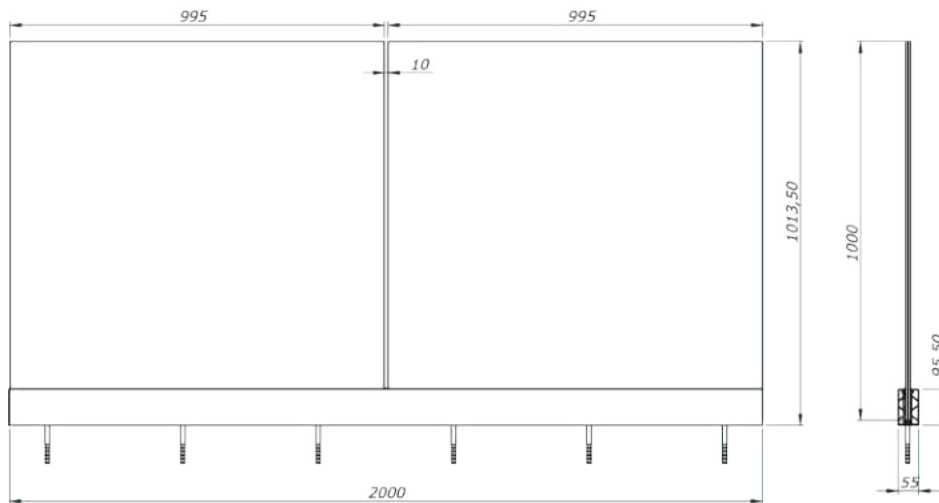
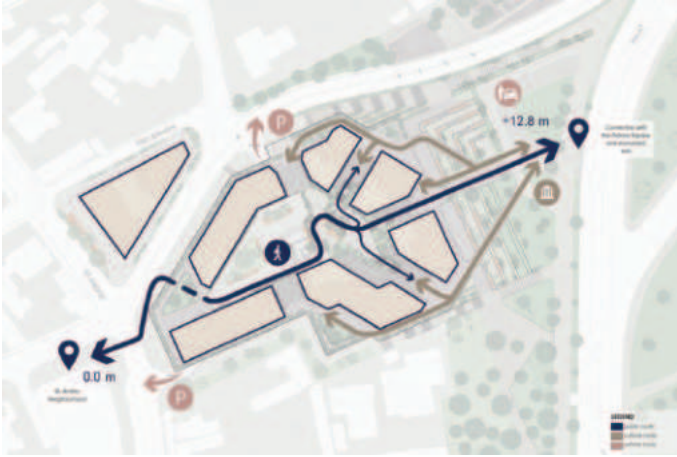
Essentials

- *Uninterrupted Strong Glass Balustrade
- *Upper-Thin Railing Addition

Criteria	Value
Safety Load	1.7
Line Load	50 Lbs (225 N)
Pressure	200 Lbs (890 N)
Certified Pressure	2.2 kN
Advice Height	Up to 120 cm (47 1/4")
Advice Bar Qty	-
Distance/s	-



Palas Residencial, Iasi / RO



Description

UNStudio's 2021 competition-winning design combined together with Akos™ products for bring glorious amazing image to the hearth of IASI city.

SYSTEM ALUSMART™

Endureline EL52 System Continue Profile
Elevation height 1010 mm Glass 6.6.4 (9/16")

Essentials

- *Non-closed Glass Balustrade
- *Frameless design for better overview

Criteria	Value
Safety Load	1.7
Line Load	50 Lbs (225 N)
Pressure	200 Lbs (890 N)
Certified Pressure	1.3 kN
Advice Height	Up to 120 cm (47 1/4")
Advice Bar Qty	-
Distance/s	-

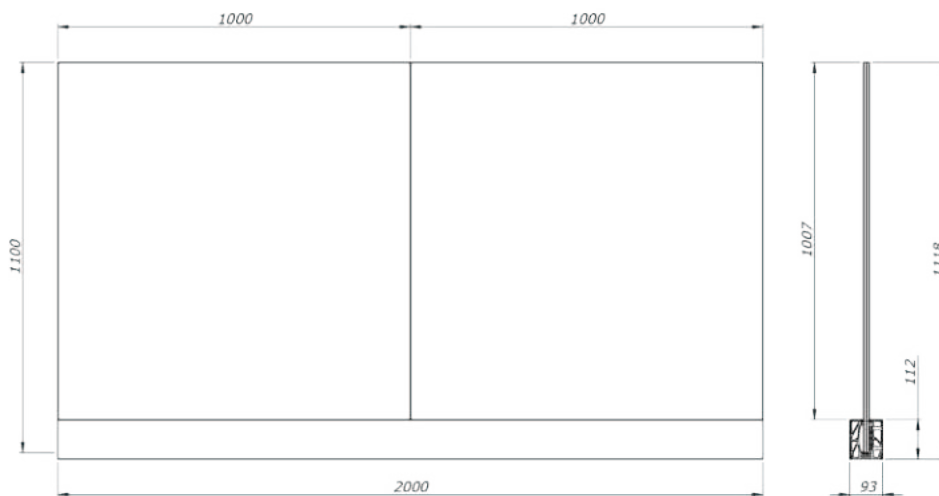


PRINCE OF WALES HALL

COMMERCIAL PREMISES TO LET

COMMERCIAL PREMISES TO LET

Tilal Al Ghaf – The Hive, Dubai / UAE



Description

Safeline SL11 used to have certified partial use of profiles for renovation of building and arrangement the glass upto 4 against non-smooth surfaces.

SYSTEM ALUSMART™

Safeline SL11 Partial Profile with Cover
Elevation height 1100 mm Glass 8.8.4 (11/16")

Essentials

- *Certified Alignment Option Glass Balustrade
- *Frameless design for better look

Criteria	Value
Safety Load	1.7
Line Load	50 Lbs (225 N)
Pressure	200 Lbs (890 N)
Certified Pressure	2.2 kN
Advice Height	Up to 120 cm (47 1/4")
Alignment Capacity	2° +/-
Distance/s	-



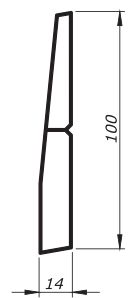
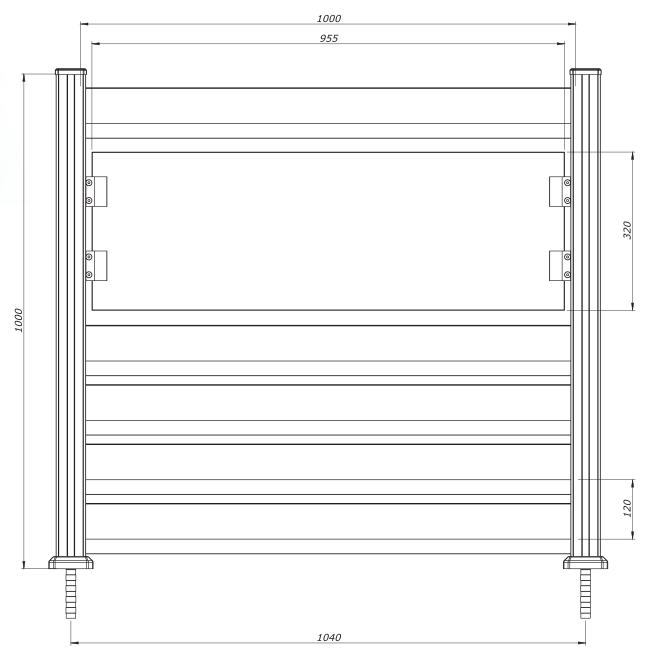
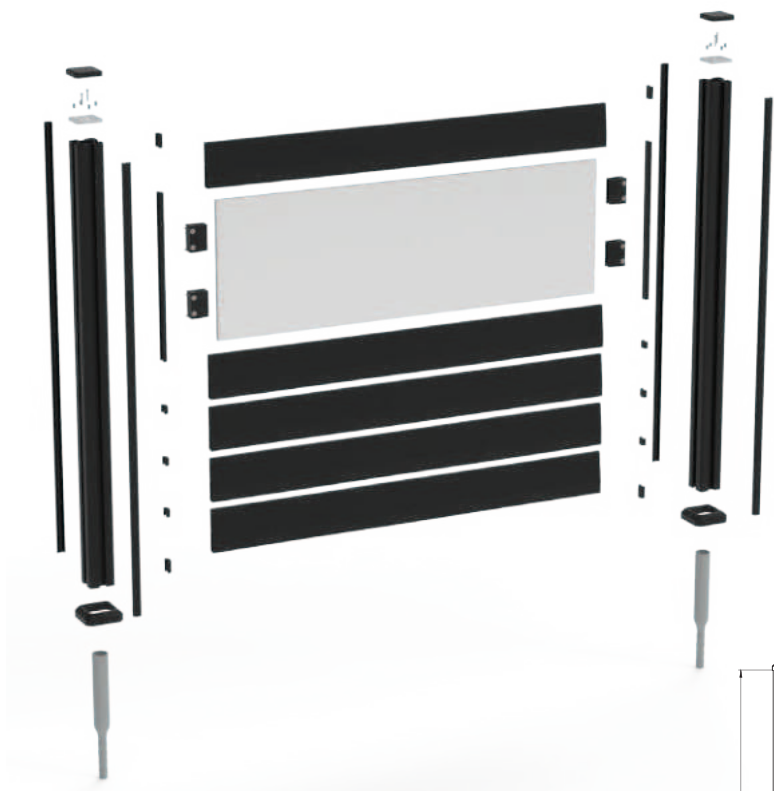
ALUFENCE SERIES

High-quality aluminum resistant to variable weather conditions Akos Fence Systems allows you to achieve design integrity according to the atmosphere of your spaces with white, cream, silver, gray, bronze, wood-like aluminum profile with or without LED Lighting options.

It can be cut to the desired length according to the requirements of your space. Fence Systems that can be applied leaves the choice entirely to you.

Offering design options suitable for different architectural structures, innovative and modular Akos Fence Systems, easy to install stands out with its feature.





Option A

Complete Siding

Option B

w/Glass 4+4

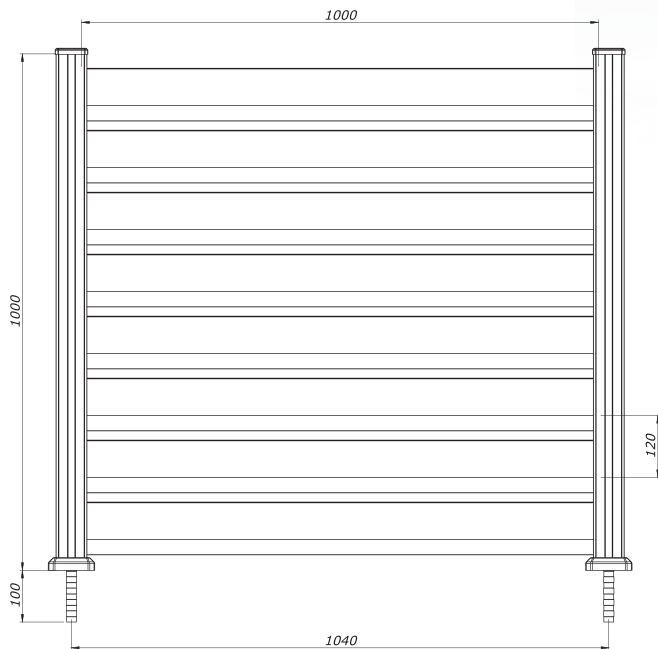
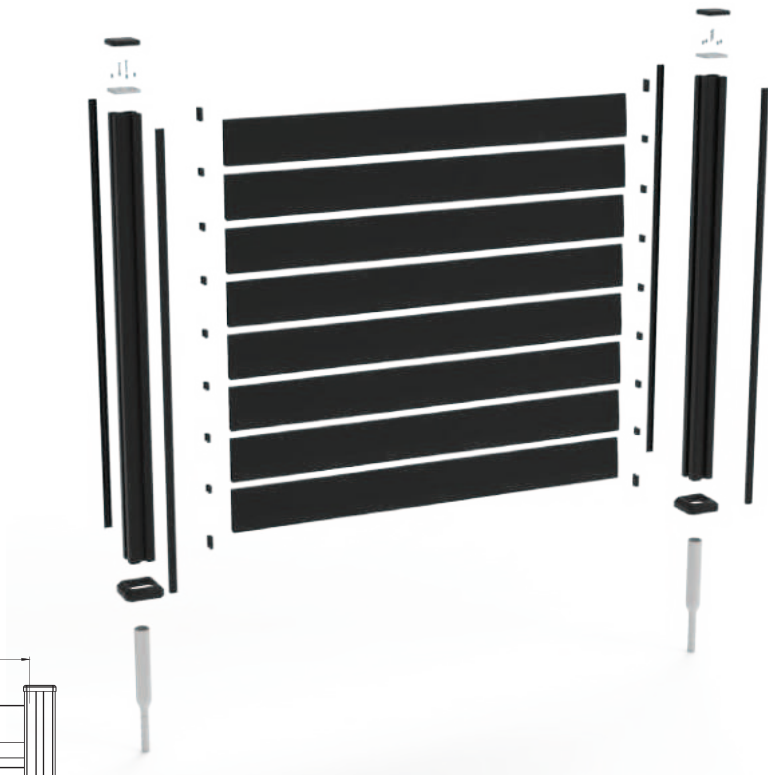
■ **40-800-004**
Partition Siding Fence Profile-6 Meters



ALUFENCE
NEVADA



YouTube



■ **40-800-005**
Z Shape Partition
Fence
Profile-6 Meters

Option A

.....
Complete
Siding

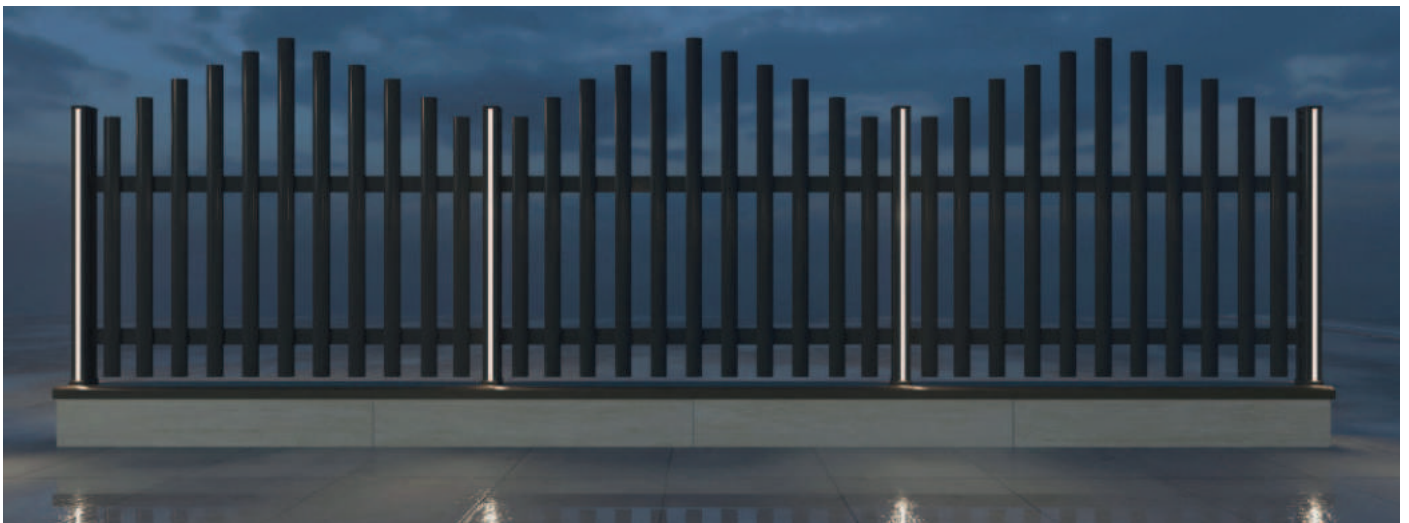
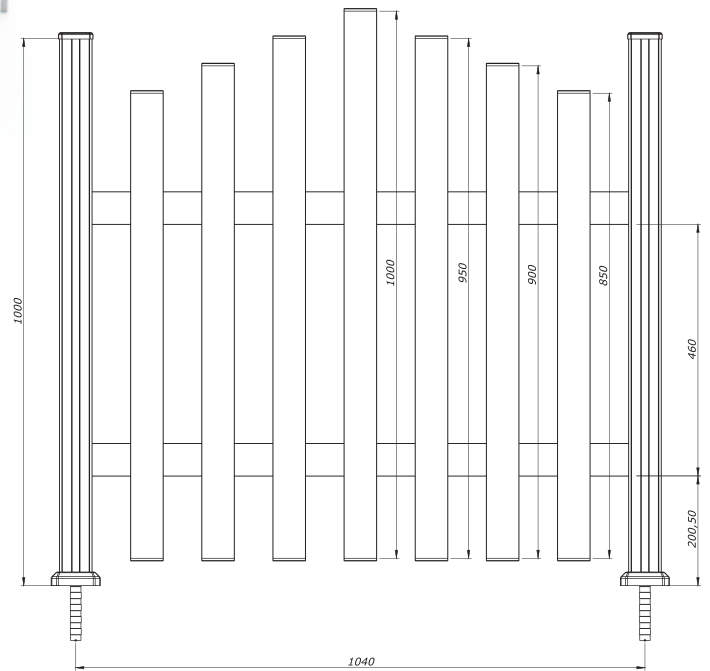
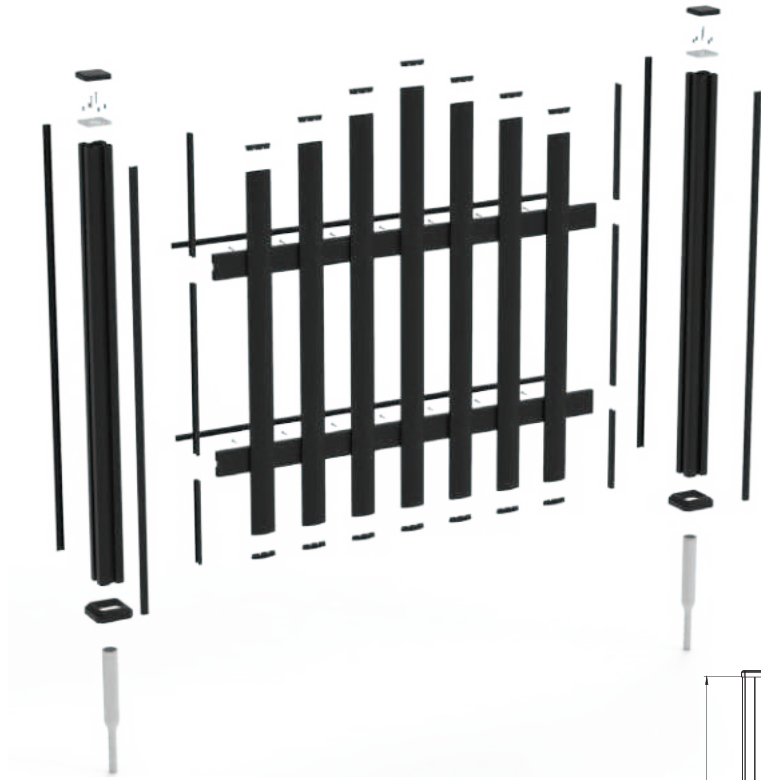
Option B

.....
Wind Break Gaps

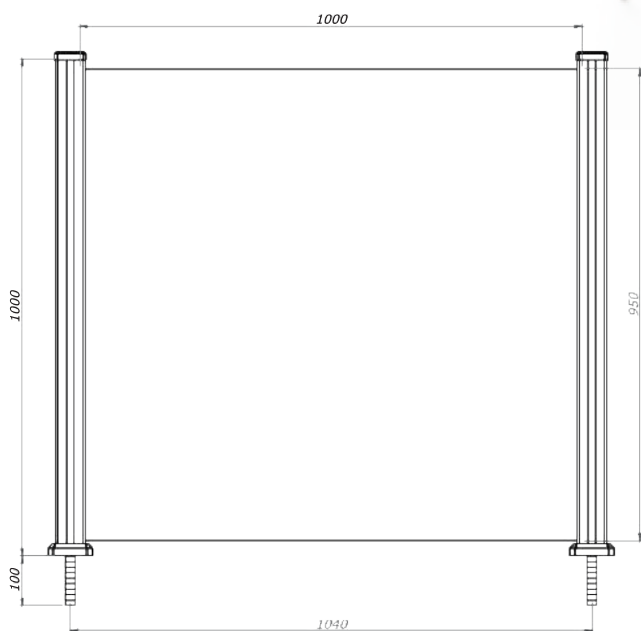


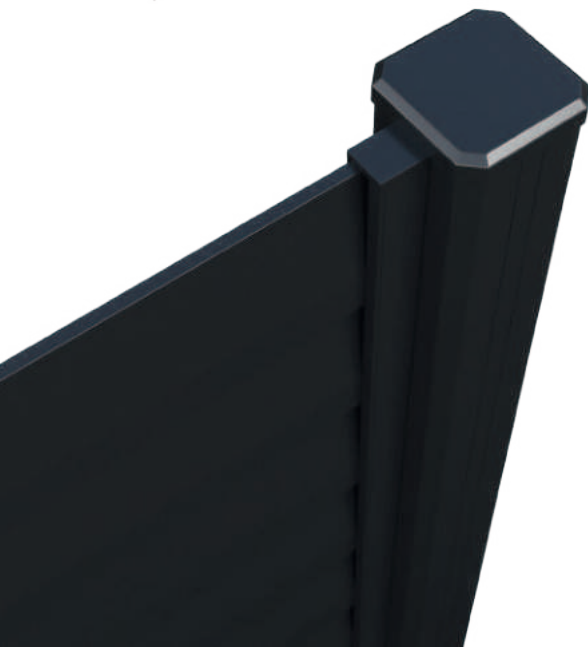
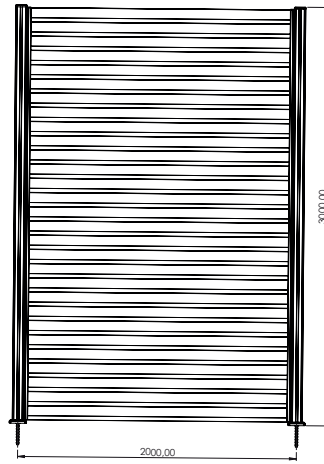
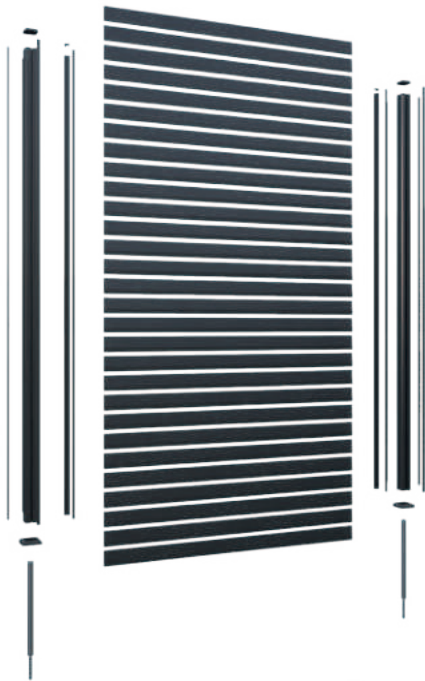


YouTube

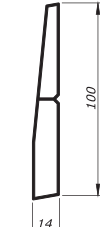


ALUFENCE
NICE

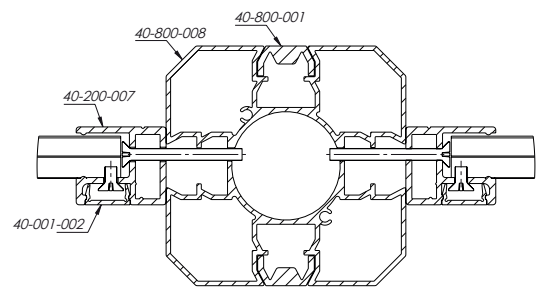




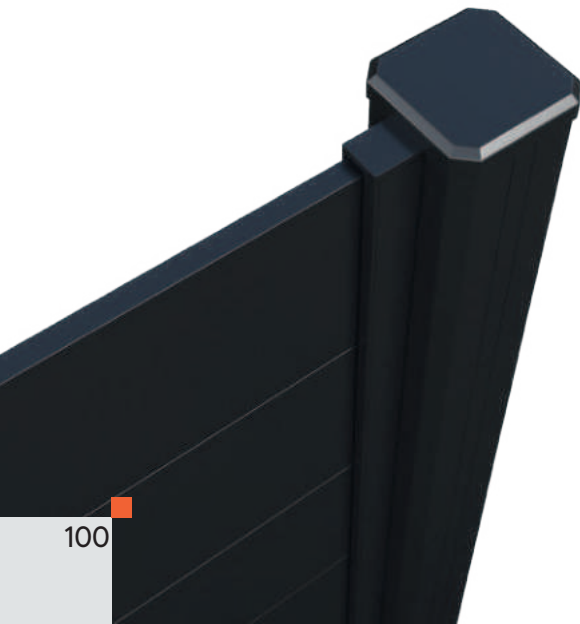
40-800-005
Z Shape Partition
Fence Profile
6 Meters



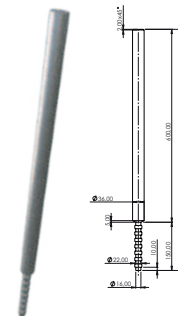
40-800-004
Partition Siding Fence
Profile 6 Meters



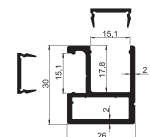
Adapter Application



40-800-020
Partition Fence Box
6 Meters



30-800-018
Fence Post Anchor
Ø36 - 75 cm

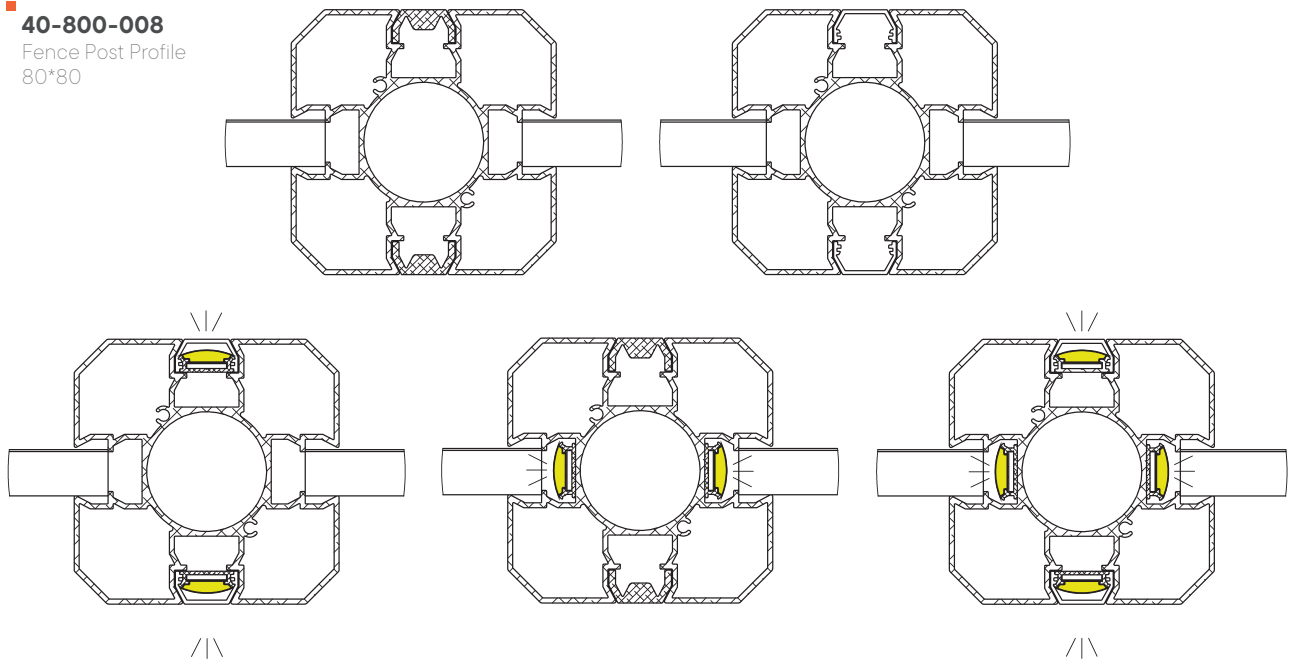


40-200-007
Adapter Profile
6 Meters

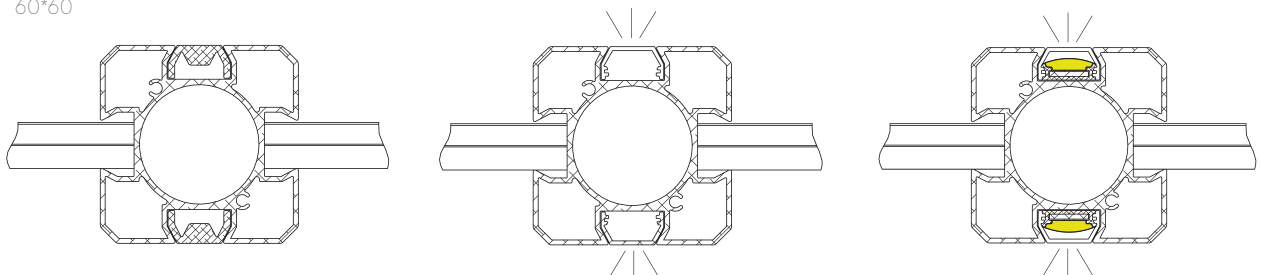




■ **40-800-008**
Fence Post Profile
80*80

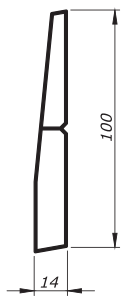


■ **40-800-002**
Fence Post Profile
60*60

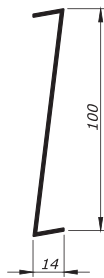




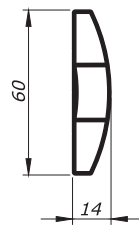
Color your world with *Alufence Systems!*



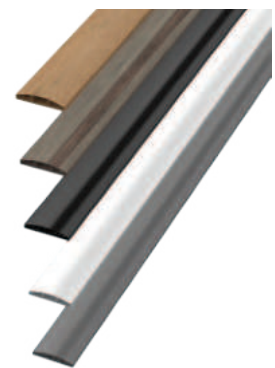
■ **40-800-004**
Partition Siding
Fence Profile 6 Meters

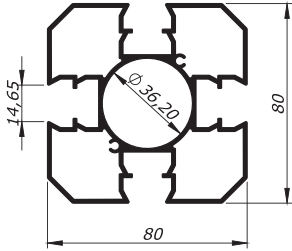


■ **40-800-005**
Z Shape Partition
Fence Profile 6 Meters

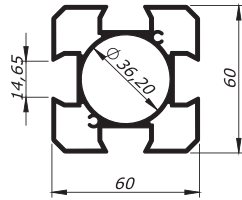


■ **40-800-007**
Vertical Partition Fence
Profile 6 Meters

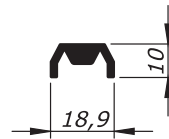




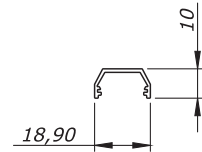
■ **40-800-008**
Fence Post Profile
80*80 6 Meters



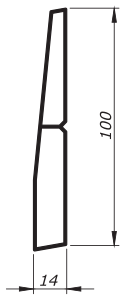
■ **40-800-002**
Fence Post Profile
60*60 6 Meters



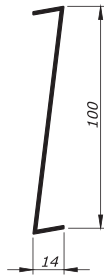
■ **40-800-001**
Fence Profile
Cover 6 Meters



■ **40-800-010**
Polycarbonate
Cover 6 Meters



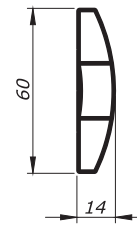
■ **40-800-004**
D Shape Profile
6 Meters



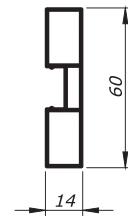
■ **40-800-005**
Z Shape Siding
Profile 6 Meters



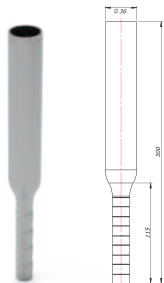
■ **40-800-020**
Partition Fence Box
6 Meters



■ **40-800-007**
Vertical Partition Fence
Profile 6 Meters



■ **40-800-003**
Lateral Frame Profile
6 Meters



■ **30-800-016**
Fence Post
Anchor Ø36



■ **40-500-065**
M12x150mm Concrete
Screw



■ **40-500-064**
M10 Clips Dowel
Screw 180mm



■ **30-500-014**
8 Metric Anchor



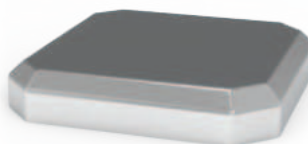
■ **40-500-019**
Bolt M8



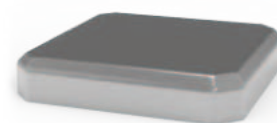
■ **30-800-015**
Post Ground Flange
80*80



■ **30-800-014**
Post Ground Flange
60*60



■ **30-800-013**
Post Caps 80*80



■ **30-800-012**
Post Caps 60*60



■ **30-800-009**
Fence Profile Top
Plate 80*80



■ **30-800-006**
Fence Profile Top
Plate 60*60



■ **30-800-017**
Elliptic 60x25 Plug
Aluminium



■ **30-200-904**
Glass Holder for
Square



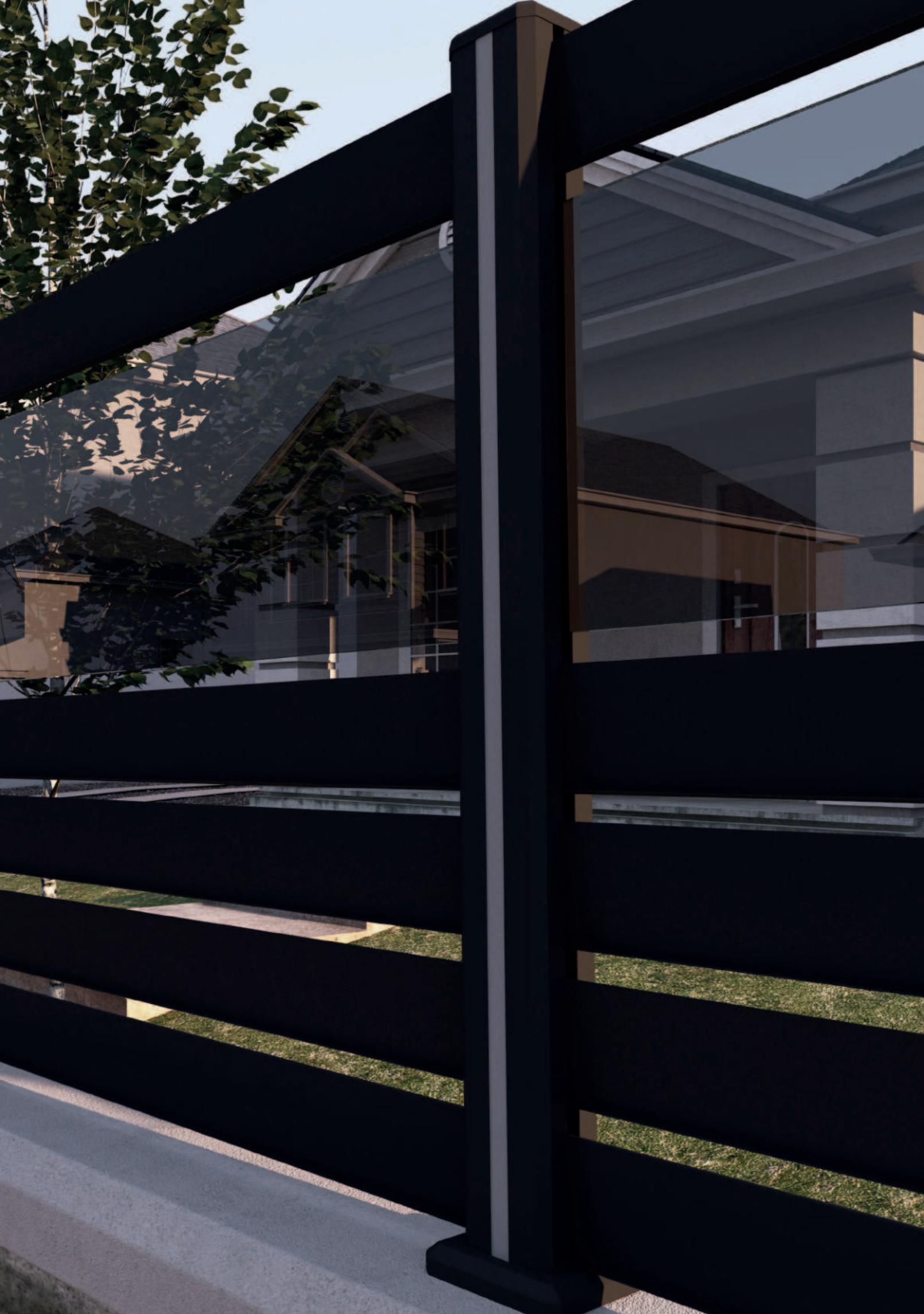
■ **40-500-066**
Marine Sealant



■ **40-100-035**
High Tack Adhesive

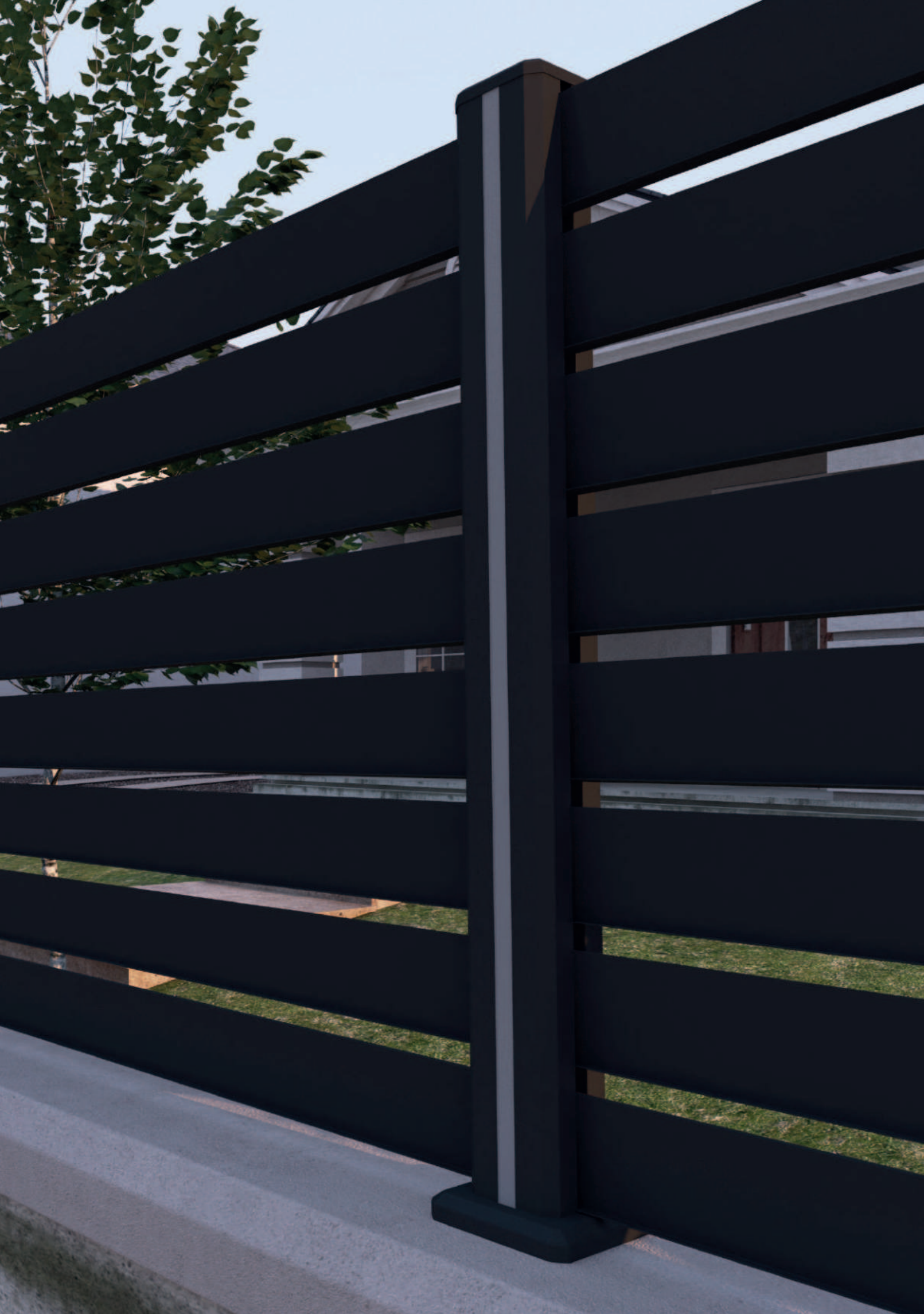
ALUFENCE
Arvada





ALUFENCE
Nevada

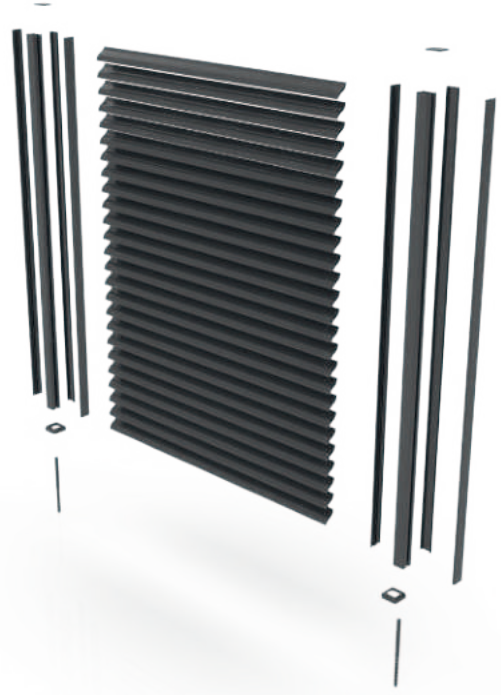




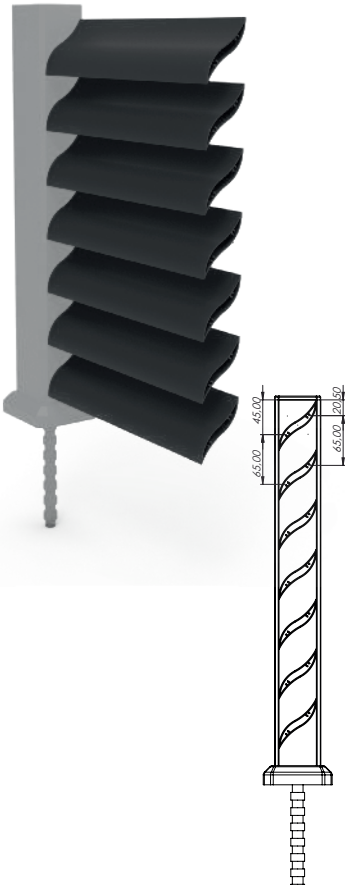
ALUFENCE
Florida



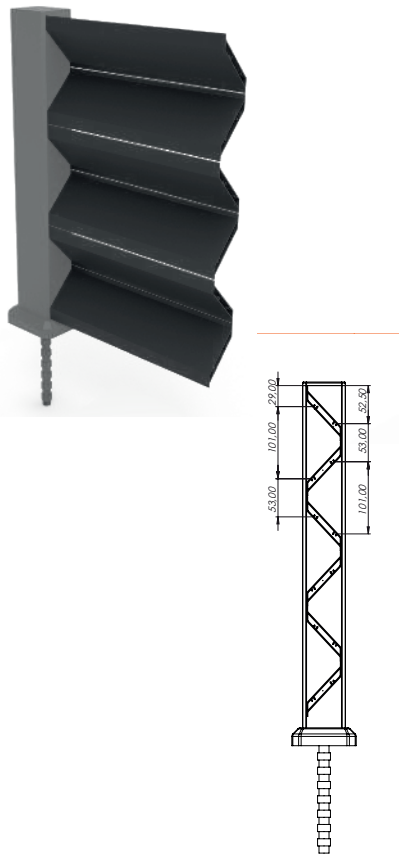




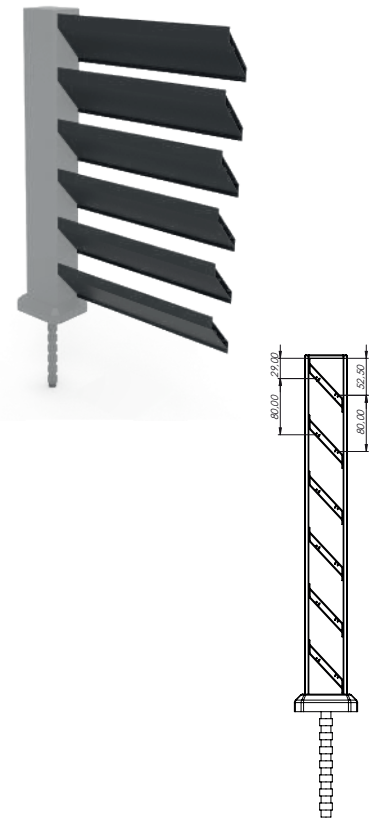
■ Sun Model

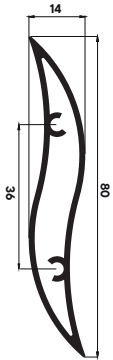


■ Star Model

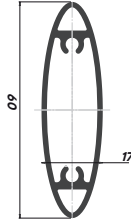


■ Leaf Model

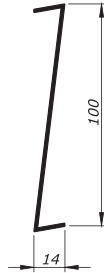




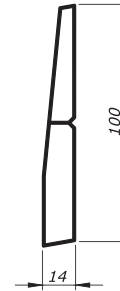
■ **40-800-012**
Sun Shape Siding
Profile 6 Meters



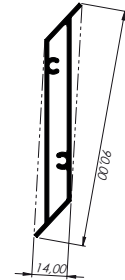
■ **40-400-044**
Elliptic Bar Profile
6 Meters



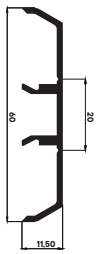
■ **40-800-005**
Z Shape Siding
Profile 6 Meters



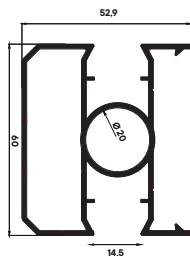
■ **40-800-004**
D Shape Siding
Profile 6 Meters



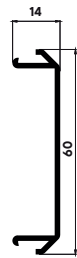
■ **40-800-013**
Leaf Bar Profile
6 Meters



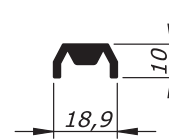
■ **40-800-014**
Frame Profile 6 Meters



■ **40-800-015**
60X60 Column Profile
6 Meters



■ **40-800-016**
Side Cover Profile 6
Meters



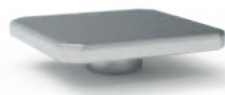
■ **40-800-001**
Fence Profile
Cover 6 Meters



■ **30-800-019**
Parapet Flange



■ **30-800-014**
Column Flange
70*60



■ **30-800-032**
Column Plug 70*60



■ **40-100-232**
M8 Gijon 100 cm

■ **40-100-233**
M8 Gijon 120 cm

■ **40-100-234**
M8 Gijon 150 cm

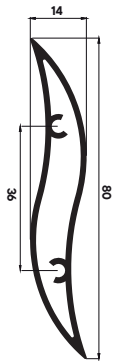


■ **30-100-220**
Whole Anchor (40cm)

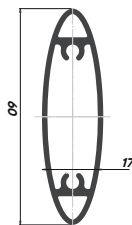
■ **30-100-221**
Whole Anchor (30cm)

■ **30-100-222**
Whole Anchor (20cm)

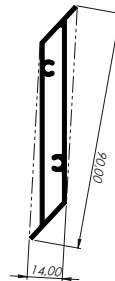
■ **30-100-223**
Whole Anchor (15cm)



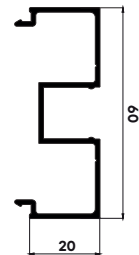
■ **40-800-012**
Sun Shape Siding
Profile 6 Meters



■ **40-400-044**
Elliptic Bar Profile
6 Meters



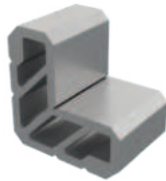
■ **40-800-013**
Leaf Bar Profile
6 Meters



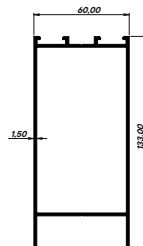
■ **40-800-034**
Adapter Profile
6 Meters



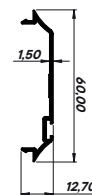
■ **40-800-020**
Corner
Connector



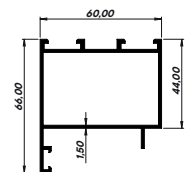
■ **40-800-038**
Corner
Connector
Stick



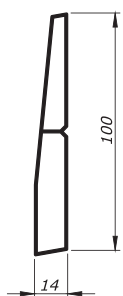
■ **40-800-031**
Wide Frame Profile
6 Meters



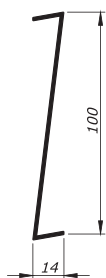
■ **40-800-032**
Finisher
Profile 6 Meters



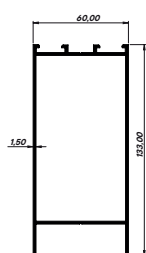
■ **40-800-033**
Door Frame Profile
6 Meters



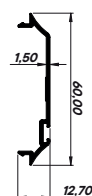
■ **40-800-004**
D Shape Siding
Profile 6 Meters



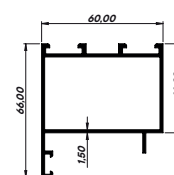
■ **40-800-005**
Z Shape Siding
Profile 6 Meters



■ **40-800-031**
Wide Frame Profile
6 Meters



■ **40-800-032**
Finisher Profile
6 Meters



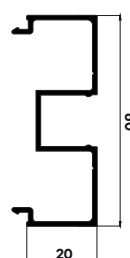
■ **40-800-033**
Door Frame Profile
6 Meters



■ **40-800-021**
Door Handle Set



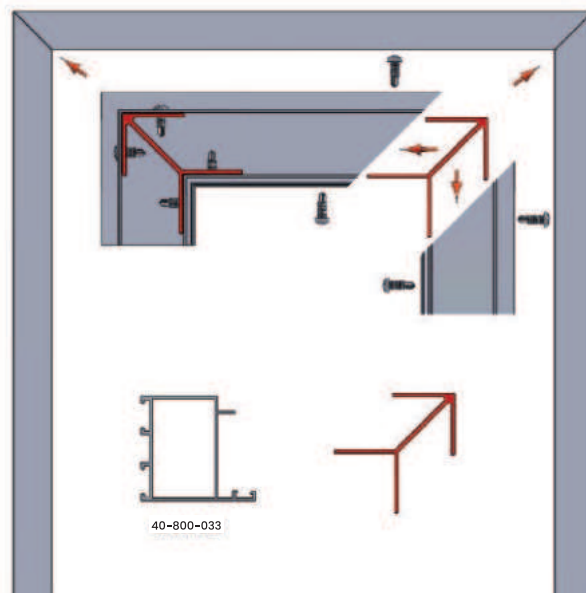
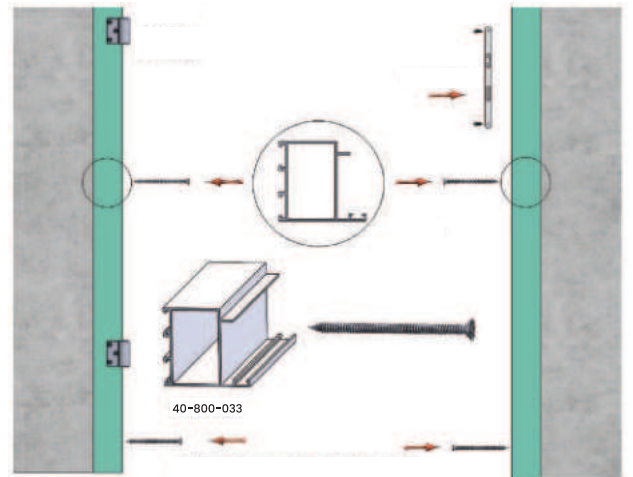
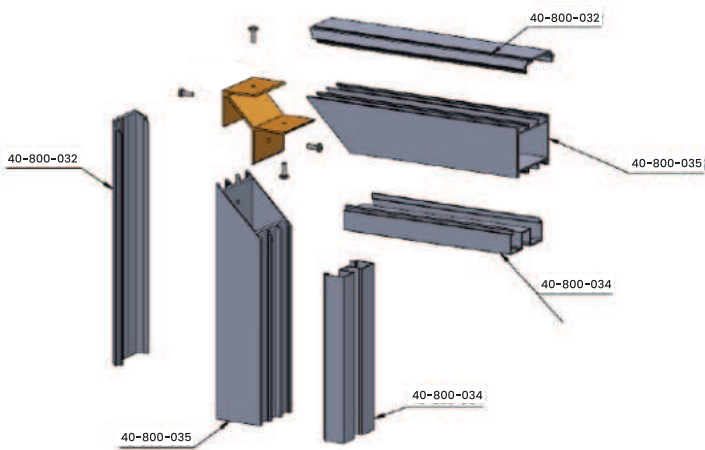
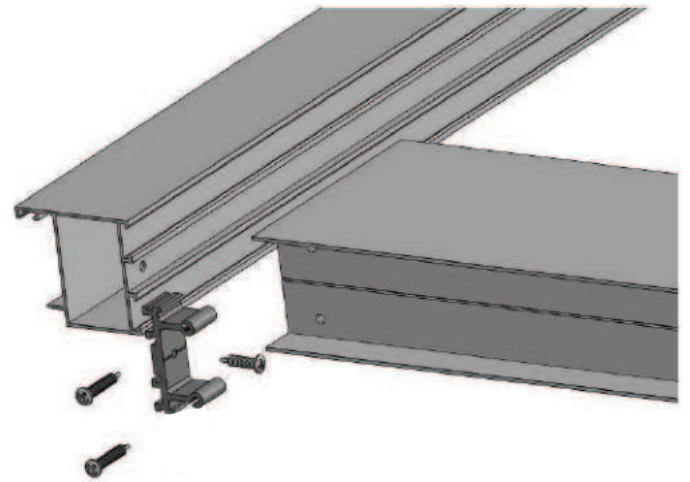
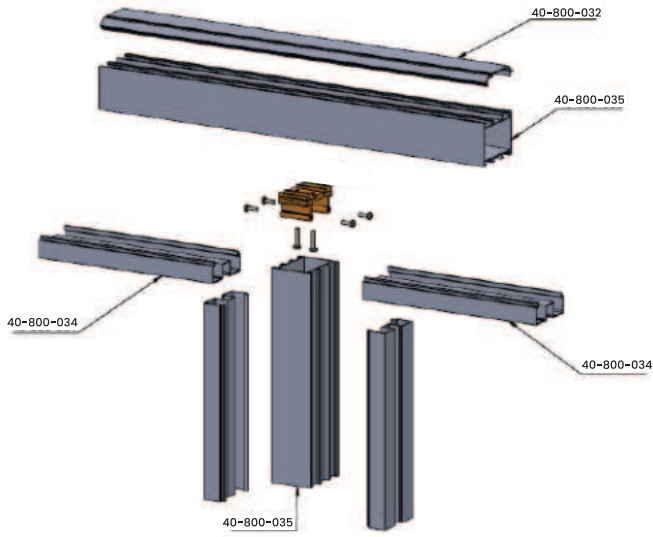
■ **40-800-022**
Door Hinge

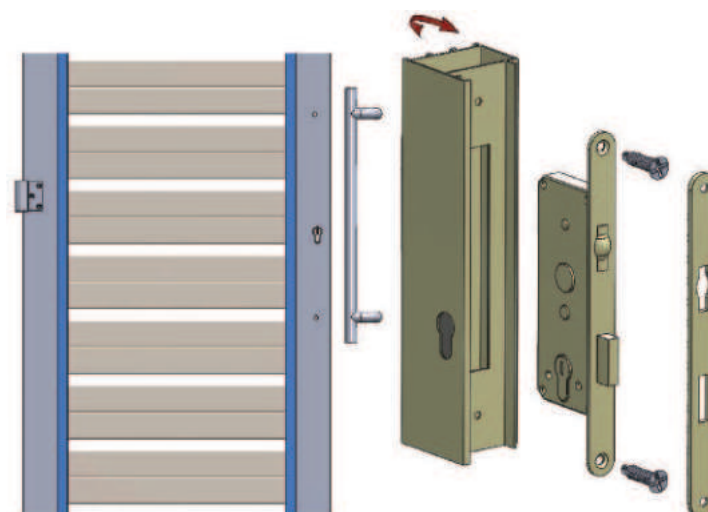
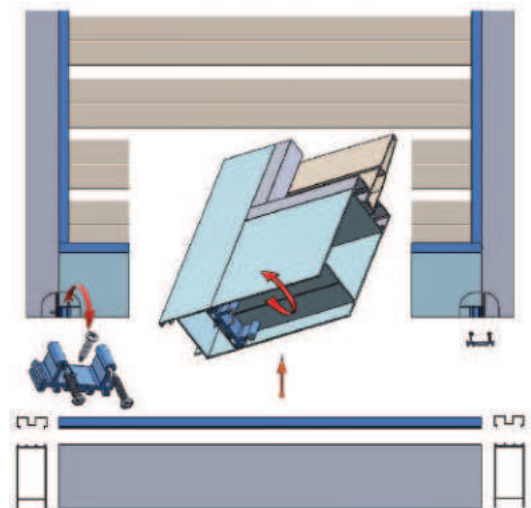
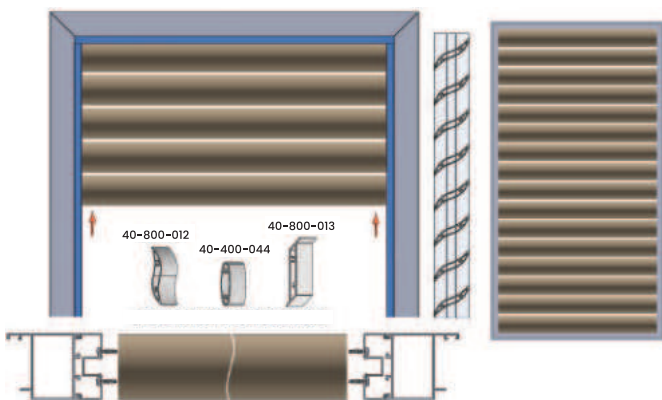
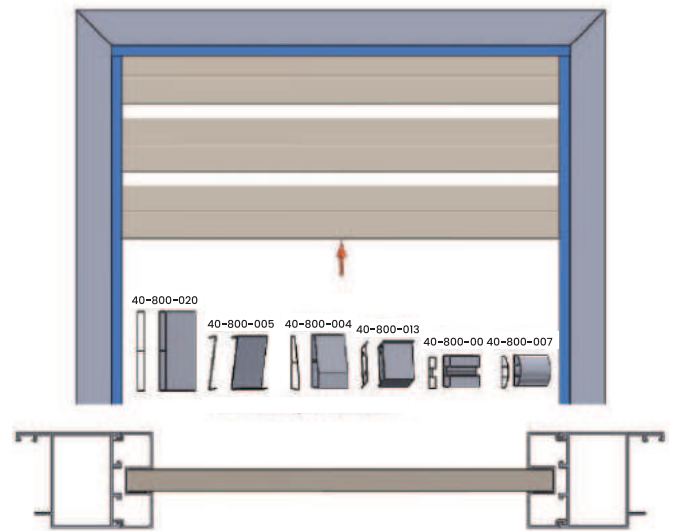
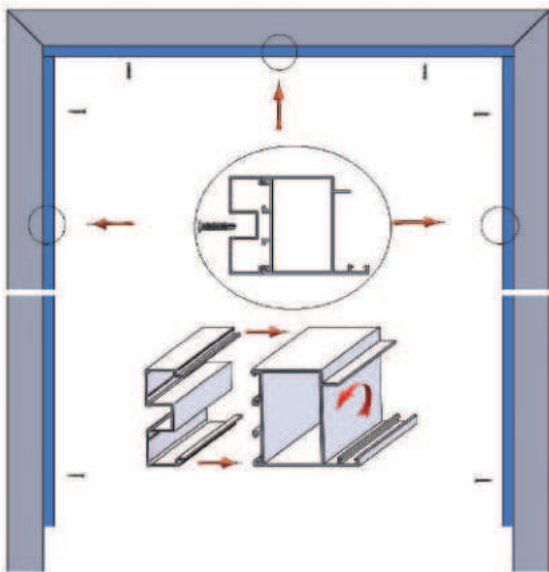


■ **40-800-034**
Adapter Profile
6 Meters

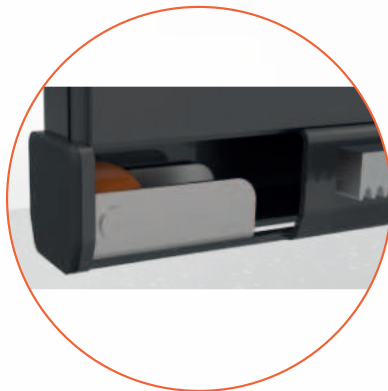


■ **40-001-02**
Post Profile Cover
6 Meters

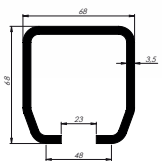




■ **40-800-027**
Housing

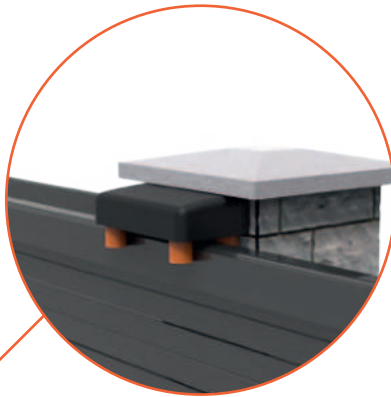


■ **40-800-028**
Wheel

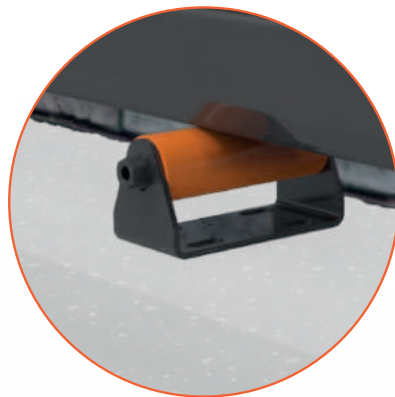


■ **40-800-029**
Wheeler Flame

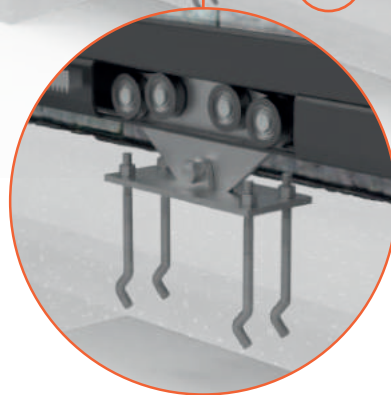
■ 40-800-030
Stopper



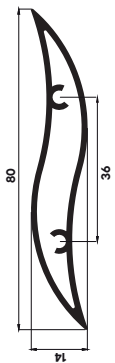
■ 40-800-023
Roller



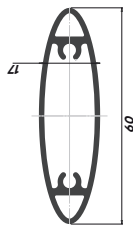
■ 40-800-026
Motor



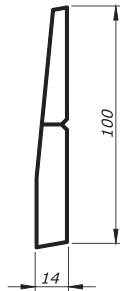
■ 40-800-025
Wheel Kit



■ **40-800-012**
Sun Shape Siding
Profile 6 Meters



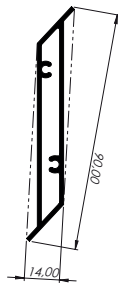
■ **40-400-044**
Elliptic Bar Profile
6 Meters



■ **40-800-004**
D Shape Siding
Profile 6 Meters



■ **40-800-005**
Z Shape Siding
Profile 6 Meters



■ **40-800-013**
Leaf Bar Profile
6 Meters



■ **40-800-037**
Assembling
Guide



■ **40-800-029**
Wheeler Frame



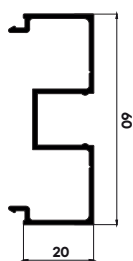
■ **40-800-023**
Roller



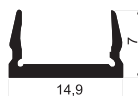
■ **40-800-025**
Wheel Kit



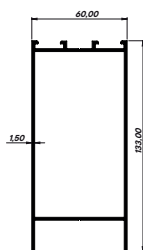
■ **40-800-024**
Cap



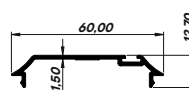
■ **40-800-034**
Adapter Profile
6 Meters



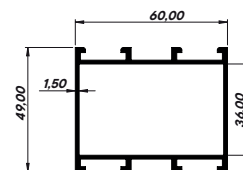
■ **40-001-02**
Post Profile Cover
6 Meters



■ **40-800-031**
Wide Frame Profile
6 Meters



■ **40-800-032**
Finisher Profile
6 Meters



■ **40-800-035**
Frame Profile
6 Meters



■ **40-800-026**
Motor



■ **40-800-027**
Housing



■ **40-800-028**
Wheel



■ **40-800-030**
Stopper



ALUMAX SERIES

- Resistant. Due to the profile cross-section details, it shows high resistance against excessive strain loads.
- Suitable for both indoor and outdoor usage.
- It can be easily used on the oceansides, on exterior facades with high wind load and security in desired interior spaces.
- Easy Installation.
- Unlimited model option.
- Practical solutions for of any kind of complex detection.
- Round, Square and all of the elliptical systems can be used with the Alumax.
- With glass models also create an aesthetic beauty.



A photograph of a modern building facade featuring a balcony with a dark metal railing and several vertical columns. The image is partially overlaid by a bright orange vertical bar on the left side. The building's exterior is composed of light-colored panels with a wood-grain texture.

L100 SERIES





■ **L100 Rectangular**



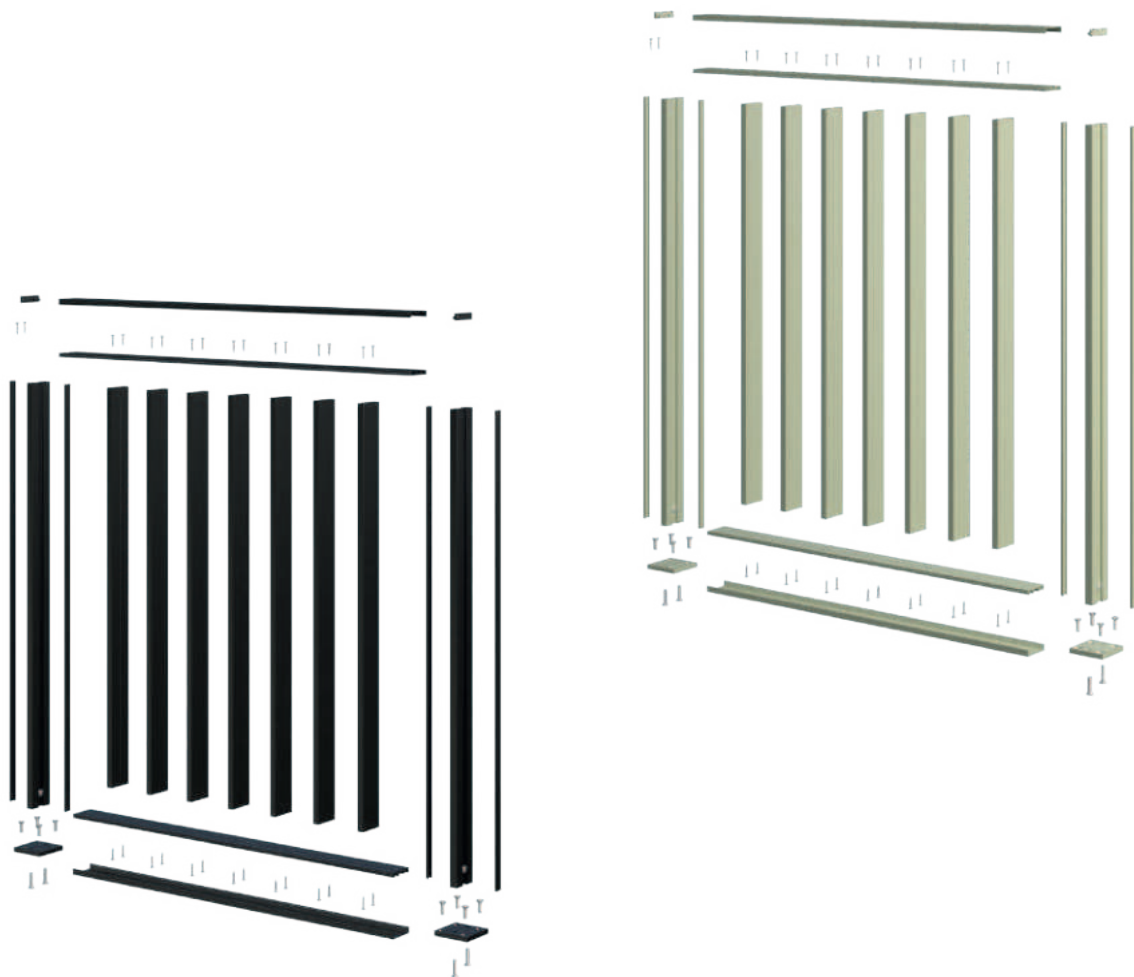
■ **L100 Round**



■ **L100 Elliptic**

New approach to classic Aluminium Railing bar style Zebra balustrade system Aluminium never looks like before.

The L100 System offers you an elegant design with high strength. L100 System simply beauty for residential and commercial places both by modular and lightweight construction.

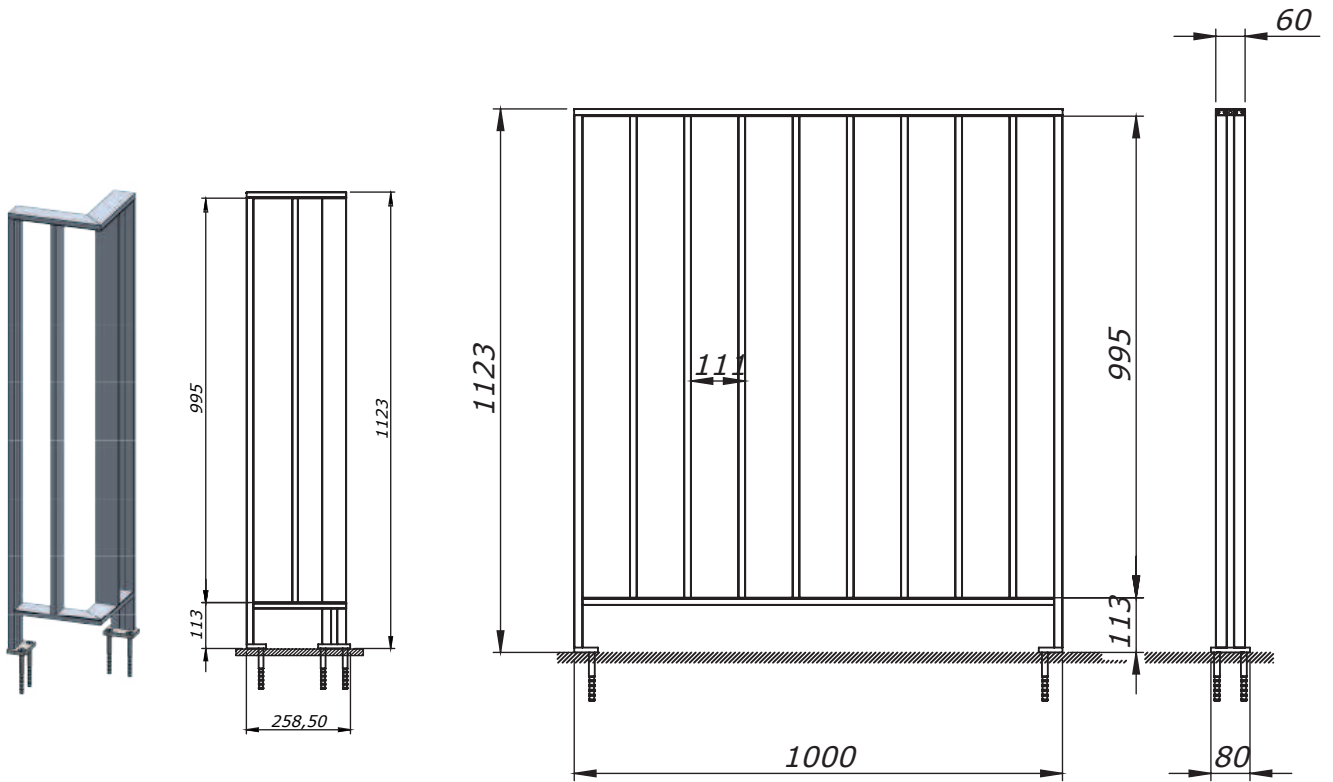




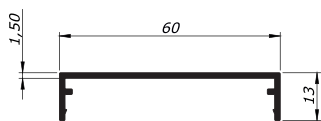
30-470-101
Finger Module



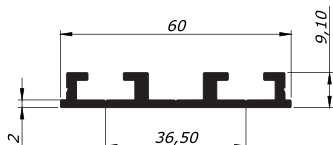
30-470-102
Glass Panel Set



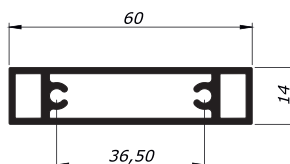
**L100
SERIES**



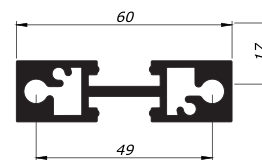
40-400-045
Top & Bottom Cover Profile
6 Meters



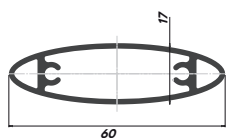
40-400-046
Top & Bottom Frame Profile
6 Meters



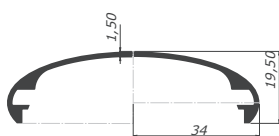
40-400-047
Bar Profile
6 Meters



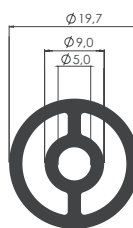
40-400-048
Post Profile
6 Meters



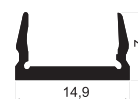
40-400-044
Bar Profile
60x17mm 6 Meters



40-400-043
Top Cover Profile
6 Meters



40-400-049
Bar Profile
6 Meters



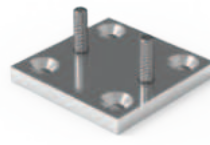
40-001-002
Post Profile Cover
6 Meters



30-470-001
L100 Strut Top
Connector



30-470-002
L100 Strut Side
Connector



30-470-003
L100 Strut Ground
Connector



30-470-012
L100 Movable
Return Vertical
(stairs)



30-470-010
L100 Strut U
Connector



30-470-011
L100 Strut C
Connector



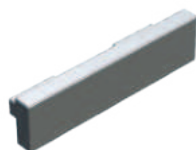
30-470-004
L100 Corner Top
Connector 90°



30-470-005
L100 Corner Top
Connector 45°



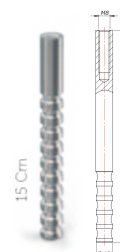
30-470-006
L100 Strut Top Joint



30-470-007
Rectangular Plug
for L100



30-470-008
Elliptic Plug for L100

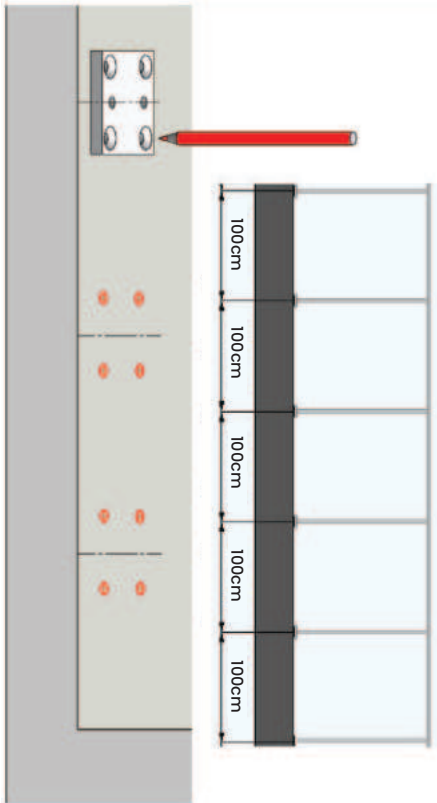


30-500-016
Anchor M8

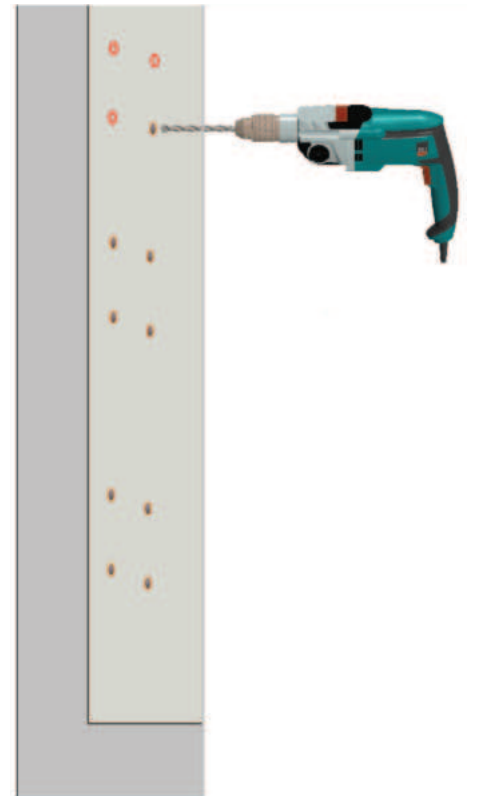


40-500-018
Inox Screw M8

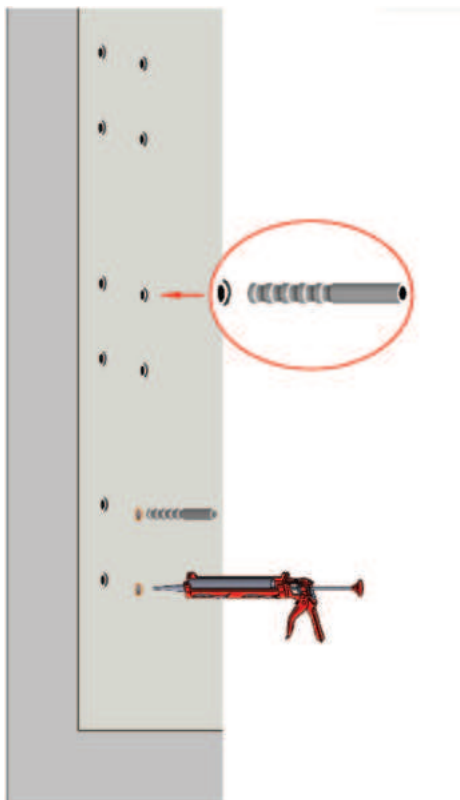
1



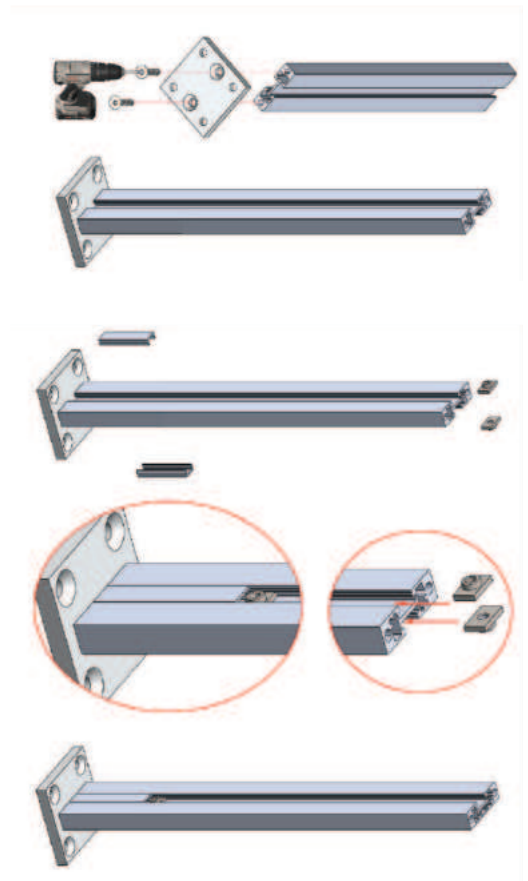
2



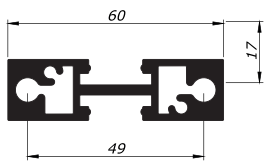
3



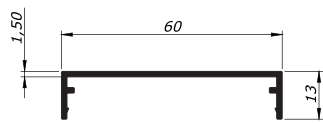
4



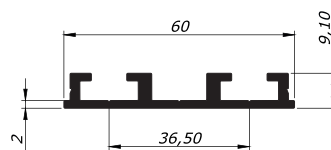
L100
LANDSCAPE



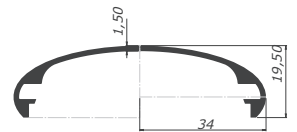
■ **40-400-048**
Post Profile
6 Meters



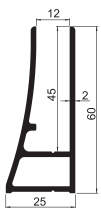
■ **40-400-045**
Top & Bottom Cover Profile
6 Meters



■ **40-400-046**
Top & Bottom Frame Profile
6 Meters



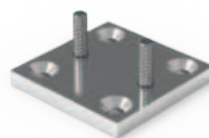
■ **40-400-043**
Top Cover Profile
6 Meters



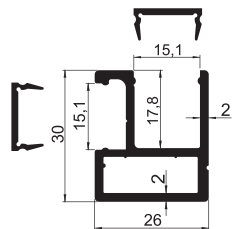
■ **40-001-003**
Sailing Profile 6 Meters



■ **40-001-002**
Post Profile Cover
6 Meters

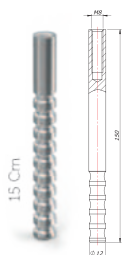
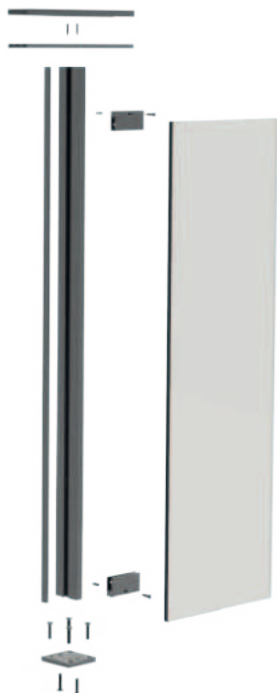


■ **30-470-003**
L100 Strut Ground
Connector



■ **40-200-007**
Holder Profile
6 Meters

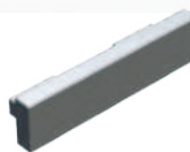
L100
PANORAMA



■ **30-500-016**
Anchor M8



■ **40-500-018**
Inox Screw M8



■ **30-470-007**
Rectangular Plug
for L100



■ **30-450-904**
Glass Holder
For Square



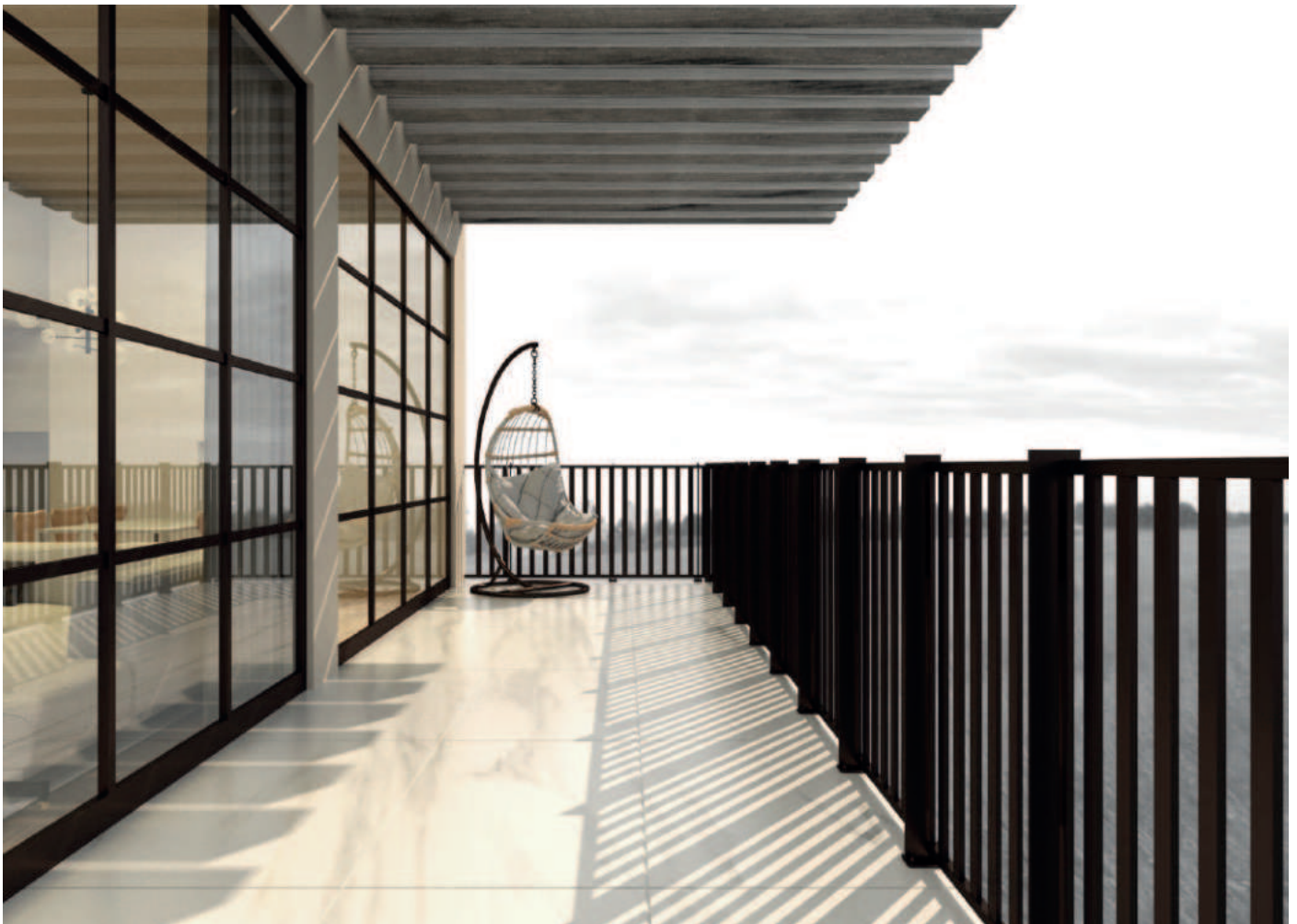
■ **30-470-005**
L100 Corner Top
Connector 45°



■ **30-470-006**
L100 Strut Top Joint

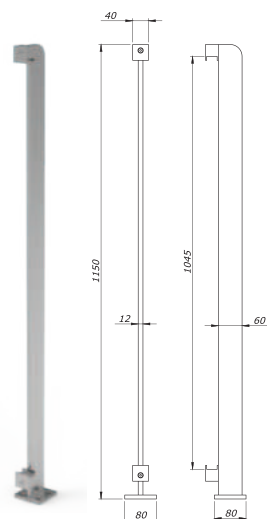


■ **30-470-004**
L100 Corner Top
Connector 90°

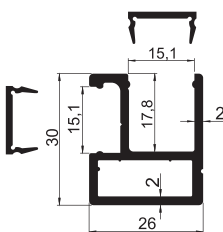




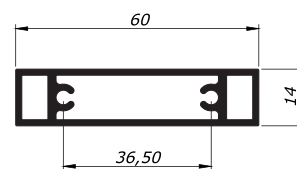
YouTube



30-420-024
Lama Post W/Glass Holder



40-200-007
Holder Profile
6 Meters



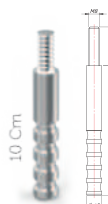
40-400-047
Bar Profile
6 Meters



30-230-701
26X30 mm Square Plug



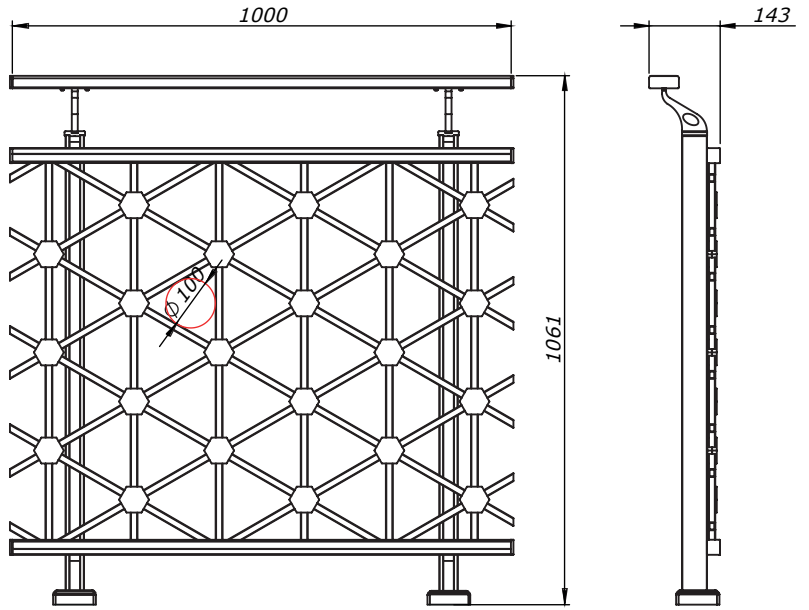
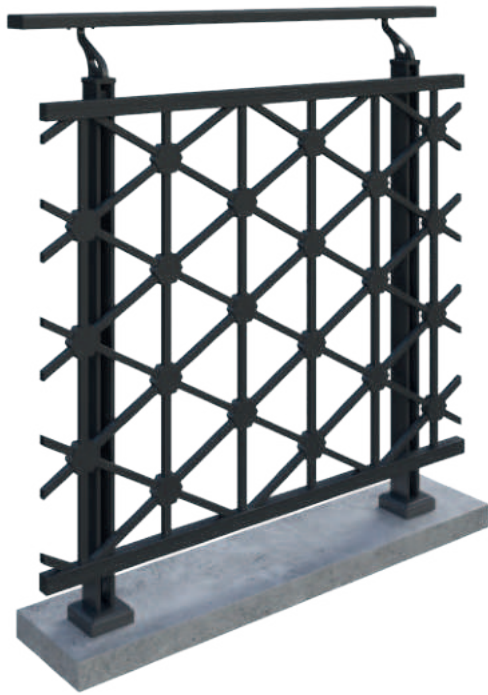
40-500-019
Nut M8

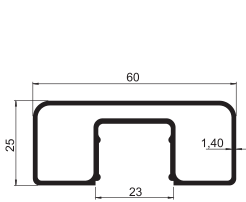


30-500-013
8 Metric Anchor

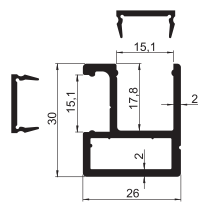


30-500-014
8 Metric Anchor

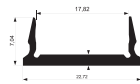




■ **40-200-003**
Top Handle Profile
6 Meters



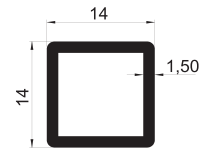
■ **40-200-007**
Holder Profile
6 Meters



■ **40-001-001**
Cover Profile
6 Meters



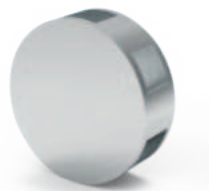
■ **40-001-002**
Cover Profile
6 Meters



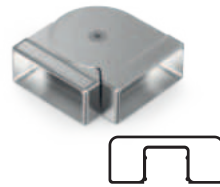
■ **40-200-009**
Bar Profile
6 Meters



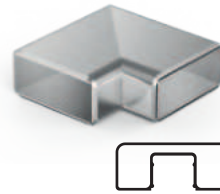
■ **30-450-701**
Profile Central
Connector Hexagon



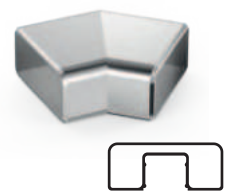
■ **30-450-702**
Profile Central
Connector Disc



■ **30-260-504**
60X25 mm Square
Elbow With Side
Moving



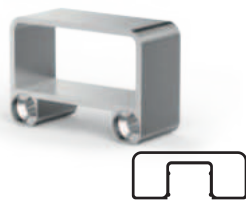
■ **30-260-512**
60X25 mm Square Elbow
90° (Without Channel)



■ **30-260-513**
60X25 mm Square Elbow
45° (Without Channel)



■ **30-260-601**
60X25 mm Ring



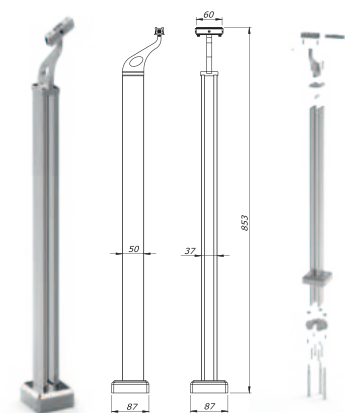
■ **30-260-305**
60X25 mm Wall Flange



■ **30-260-702**
60X25 mm Square
Plug



■ **30-450-301**
Compression Clip



■ **30-440-001** (85 cm)
■ **30-440-002** (95 cm)
■ **30-440-003** (105 cm)

Lama Strut With Clips



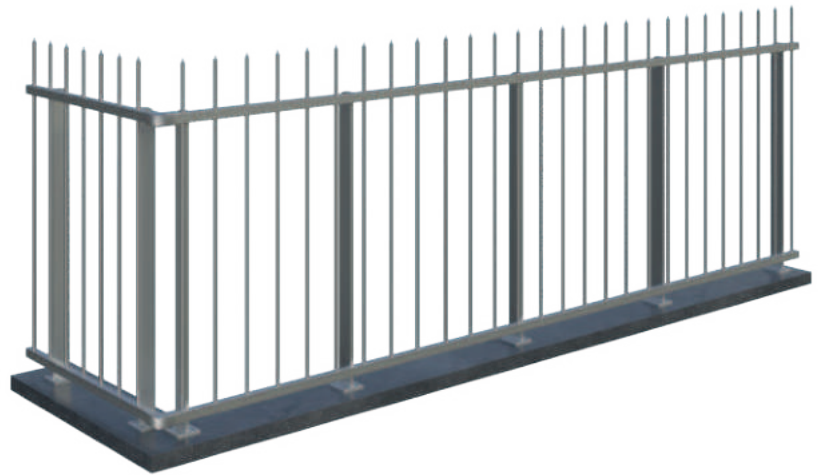
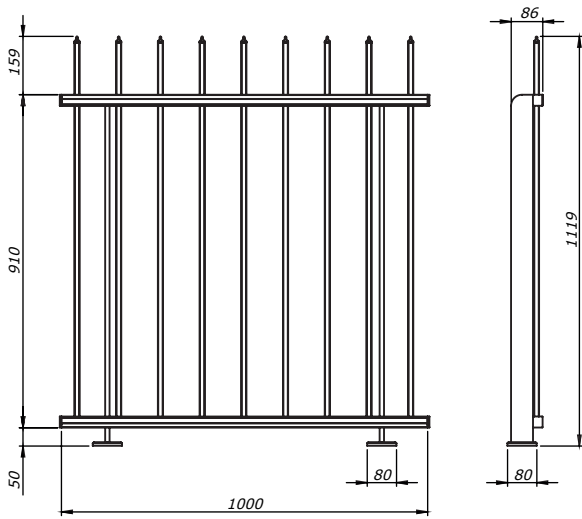
■ **30-500-013**
8 Metric Anchor



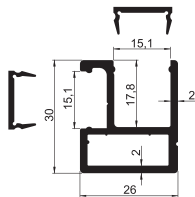
■ **30-500-014**
8 Metric Anchor



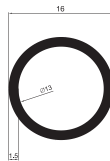
■ **40-500-019**
Dome Nut M8



■ **30-420-052**
Lama Post 90x6cm



■ **40-200-007**
Holder Profile
6 Meters



■ **40-100-027**
Bar Profile
6 Meters



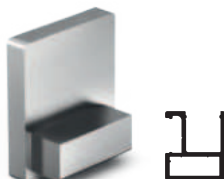
■ **40-001-002**
Cover Profile
6 Meters



■ **30-114-704**
16' Decorative
Knob



■ **30-114-701**
16' Plug



■ **30-230-701**
26x30 mm Square Plug



■ **30-500-013**
8 Metric Anchor
10 Cm

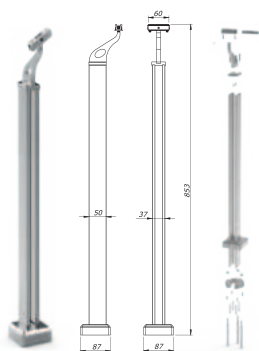
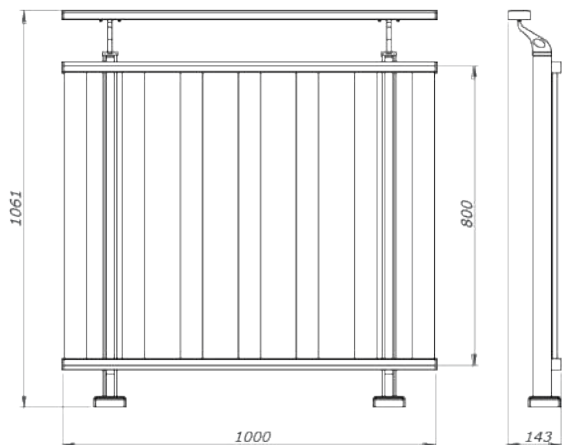


■ **30-500-014**
8 Metric Anchor
15 Cm

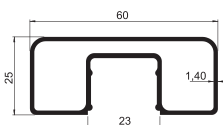


■ **40-500-019**
Dome Nut M8

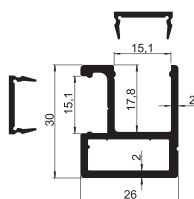
**ALUMAX
SARAJEVO**



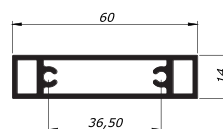
30-440-003
Lama Post w/Cliphead



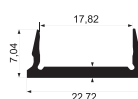
40-200-003
Top Handle Profile
6 Meters



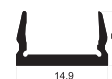
40-200-007
Holder Profile
6 Meters



40-400-047
Bar Profile
6 Meters



40-001-001
Cover Profile
6 Meters



40-001-002
Cover Profile
6 Meters



30-260-702
60X25 mm
Square Plug



30-230-701
26X30 mm
Square Plug



30-450-301
Compression Clip



30-500-013
8 Metric Anchor



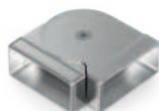
30-500-014
8 Metric Anchor



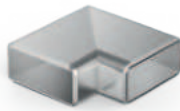
40-500-019
Dome Nut M8



30-260-305
60X25 mm Wall
Flange



30-260-504
60X25 mm Square
Elbow With Side
Moving



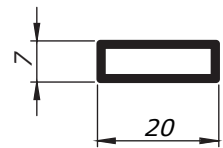
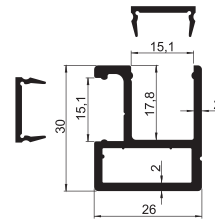
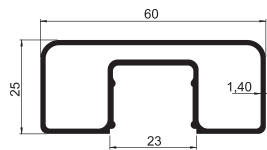
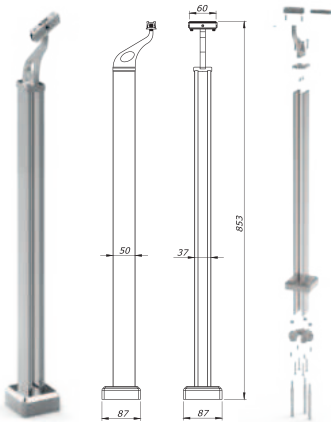
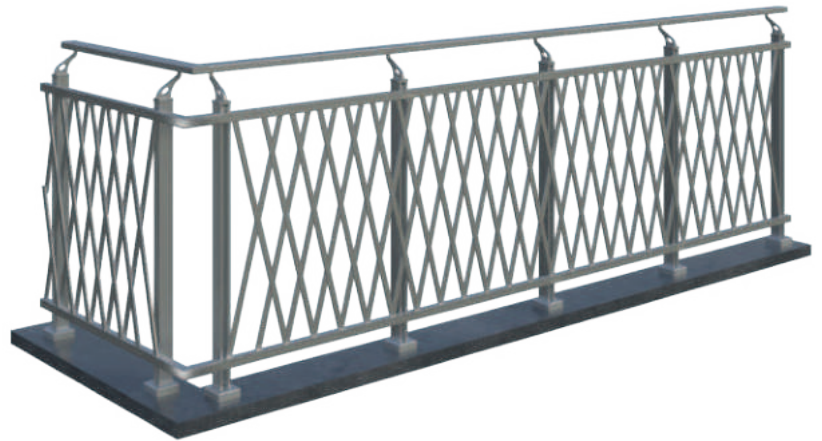
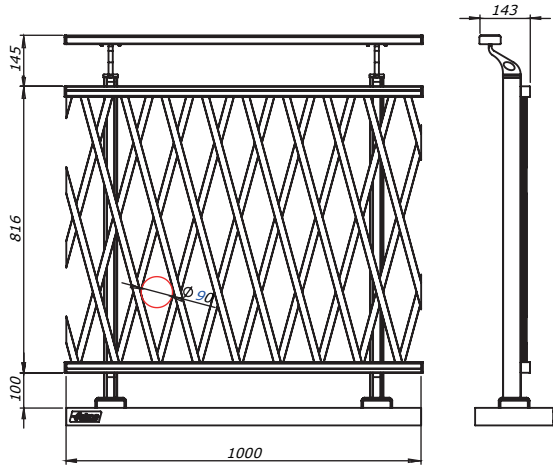
30-260-512
60X25 mm Square Elbow
90° (Without Channel)



30-260-513
60X25 mm Square Elbow
45° (Without Channel)



30-260-601
60X25 mm Ring

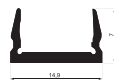
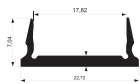


■ **30-440-001**
Lama Post w/Cliphead Kit

■ **40-200-003**
Top Handle Profile
6 Meters

■ **40-200-007**
Holder Profile
6 Meters

■ **40-200-015**
Bar Profile
6 Meters



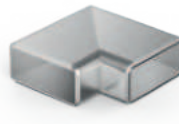
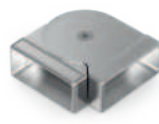
■ **40-001-001**
Cover Profile
6 Meters

■ **40-001-002**
Cover Profile
6 Meters

■ **30-500-013**
8 Metric Anchor

■ **30-500-014**
8 Metric Anchor

■ **40-500-019**
Dome Nut M8



■ **30-260-305**
60X25 mm Wall
Flange

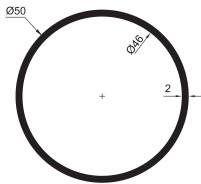
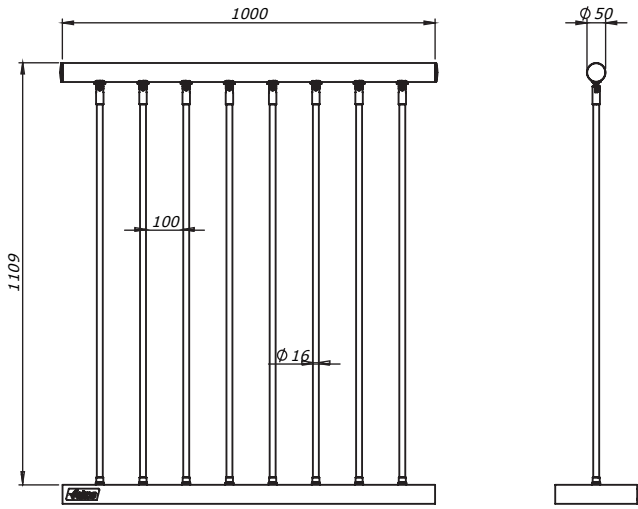
■ **30-260-504**
60X25 mm Square
Elbow With Side
Moving

■ **30-260-512**
60X25 mm Square Elbow
90°(Without Channel)

■ **30-260-513**
60X25 mm Square Elbow
45°(Without Channel)

■ **30-260-601**
60X25 mm Ring

ALUMAX
HAVANA



■ **40-100-012**
Top Handle Profile
6 Meters



■ **40-100-027**
Finger Profile
6 Meters



■ **30-116-106**
16' Adjustable
Circular Set



■ **30-150-501**
50' Smart Sphere Elbow



■ **30-150-305**
50' Adjustable Wall
Flange



■ **30-150-303**
50' Wall Flange
(Double Hole)



■ **30-150-302**
50' Ground Flange
Externally Screwed



■ **30-116-305**
16' Wall Flange



■ **30-150-304**
50' Ground Flange
Cover

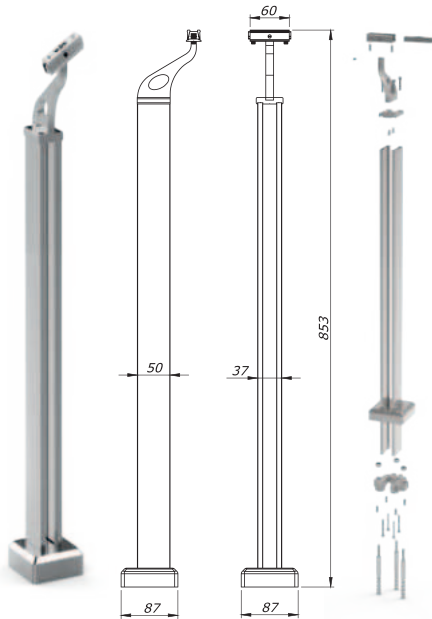


■ **30-150-701**
50' Plug



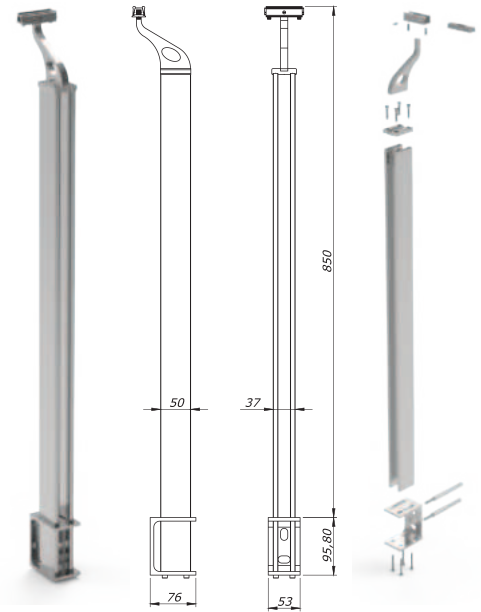
■ **40-100-229**
M12 Rod
120 cm

Lama Strut Railing System Application Details



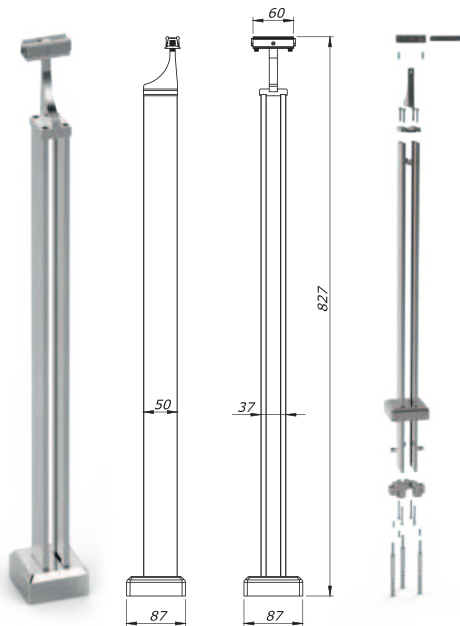
- **30-440-001** (85 cm)
- **30-440-002** (95 cm)
- **30-440-003** (105 cm)

Lama Strut With Joint Kit Clip Head



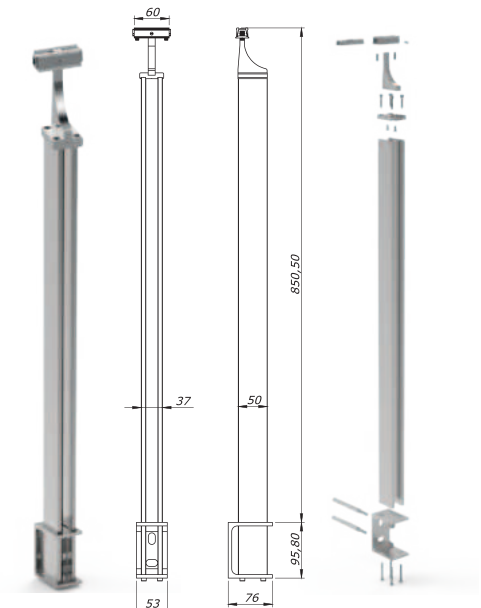
- **30-440-004** (85 cm)
- **30-440-005** (95 cm)
- **30-440-006** (105 cm)

Lama Strut With Joint Kit Clip Head and U Wall Connection



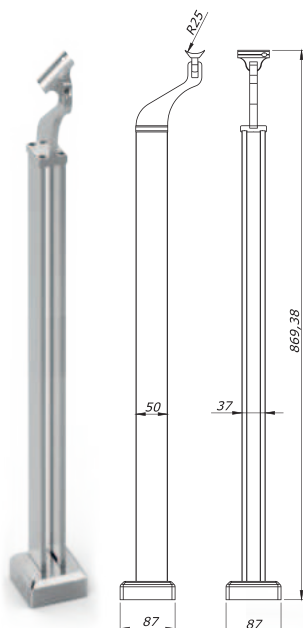
- **30-440-010** (85 cm)
- **30-440-011** (95 cm)
- **30-440-012** (105 cm)

Lama Strut With Joint Kit Clip Head



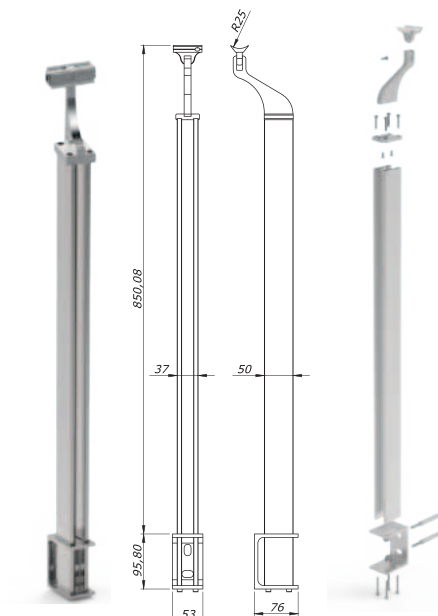
- **30-440-013** (85 cm)
- **30-440-014** (95 cm)
- **30-440-015** (105 cm)

Lama Strut With Joint Kit Clip Head and U Wall Connection



- **30-440-020** (85 cm)
- **30-440-021** (95 cm)
- **30-440-022** (105 cm)

Lama Strut With Joint Kit
Clip Head



- **30-440-023** (85 cm)
- **30-440-024** (95 cm)
- **30-440-025** (105 cm)

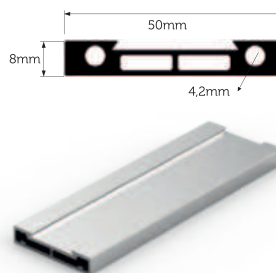
Lama Strut With Joint Kit Clip Head and U
Wall Connection



■ **30-460-104**
Lama Strut Flange



■ **30-460-105**
Lama Strut U Connector



■ **40-400-001**
Eco Lama Strut Profile
6 Meters



■ **40-001-010**
M5x40 mm Imbus Screw



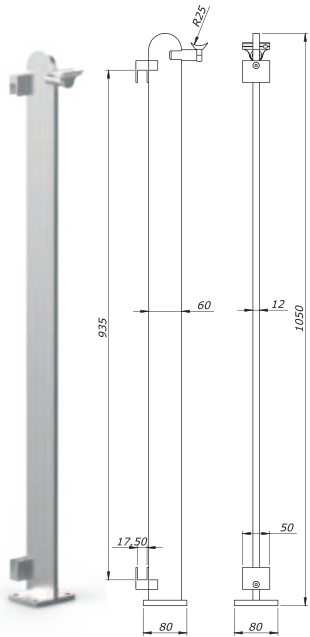
■ **30-460-101**
Lama Strut Joint Kit Goose
Neck Clip Head



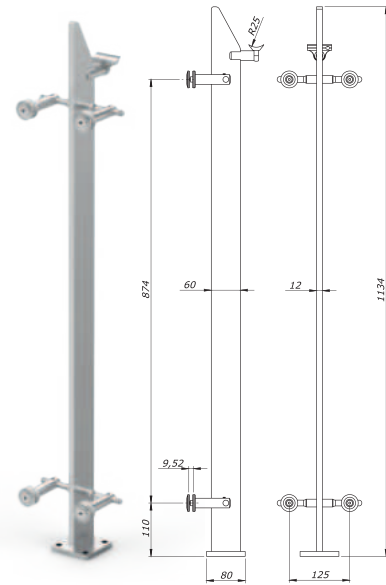
■ **30-460-102**
Lama Strut Joint Kit Clip Head



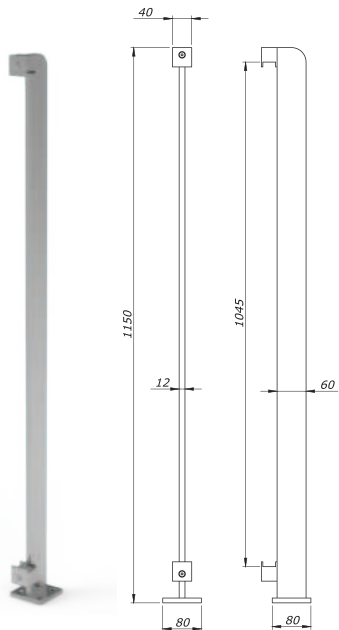
■ **30-460-103**
Lama Strut Joint Kit for
Ø50mm



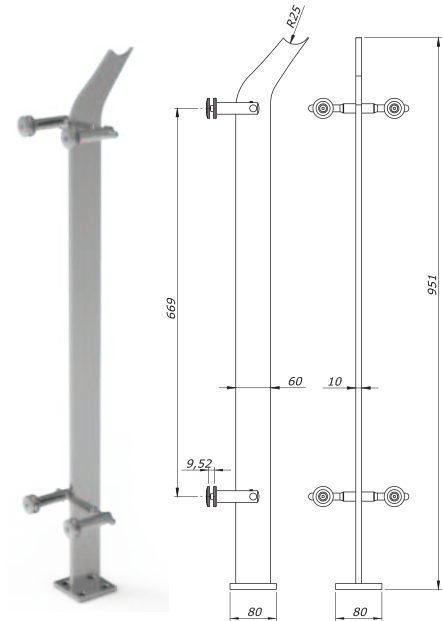
■ **30-420-020**
Decorated Lama Post W/Glass
Holder & Armature for Ø50mm



■ **30-420-021**
Decorated Lama Post W/Glass
Spider & Armature for Ø50mm



■ **30-420-024**
Lama Post W/Glass Holder



■ **30-420-032**
Lama Post W/Double Spider for
Ø50mm



■ **30-100-916**
Double Glass Armature



■ **30-100-917**
Single Glass Spider



■ **30-450-300**
Adjuster Lama Plate



■ **30-450-301**
Compression Clip



■ **30-450-302**
Plate Cover For Single Lama



■ **30-450-901**
Double Glass Spider



■ **30-450-902**
Single Glass Spider



■ **30-450-903**
Lama Type Horizontal Glass Holder



■ **30-450-801**
Round Pipe Holder 16mm for Lama



■ **30-450-802**
Square Pipe Holder 14X14mm for Lama

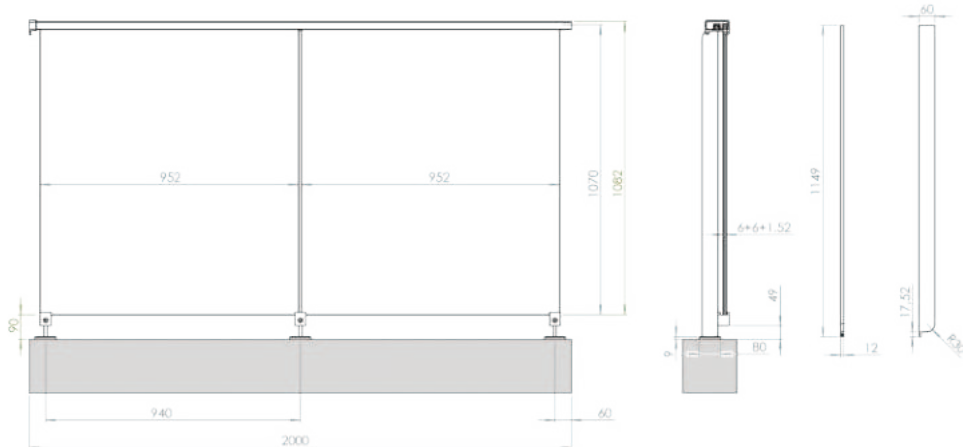


■ **30-450-803**
Elliptic Pipe Holder for Lama





281 – 289 Broadway Street, New York / USA



Description

Alumax™ series used to have a high an uninterrupted view . Collaboration of Glass and Aluminum flirts modern looking by Akos(R) Alumax™ applications.

SYSTEM ALUMAX™

420-028 Upper Paraphet Post Structure
Elevation Heigh 46" w/ Glass 6.64 (9/16")

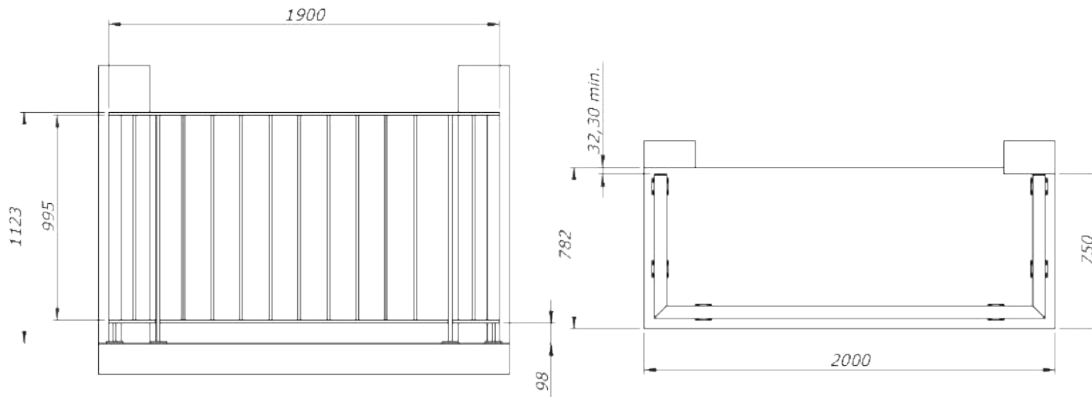
Essentials

- *Max. 10cm Gaps
- *Internal Post Structure Frame Style

Criteria	Value
Safety Load	1.7
Line Load	50 Lbs (225 N)
Pressure	200 Lbs (890 N)
Certified Pressure	1.3 kN
Advice Height	Up to 150 cm (59 1/16")
Advice Bar Qty	-
Distance/s	Max. 4"(10 cm)



Kobisan Houses, Konya / TR



Description

Alumax™ L100 standart continue serie brought this 2022's awarded project a valuable and characteristic vertical looking to be the first choice of City-boring people peace in county environment.

SYSTEM ALUMAX™

Alumax™ L100 Stylish Design direct railing
Elevation Hheight 1120 mm Continue Post Structure

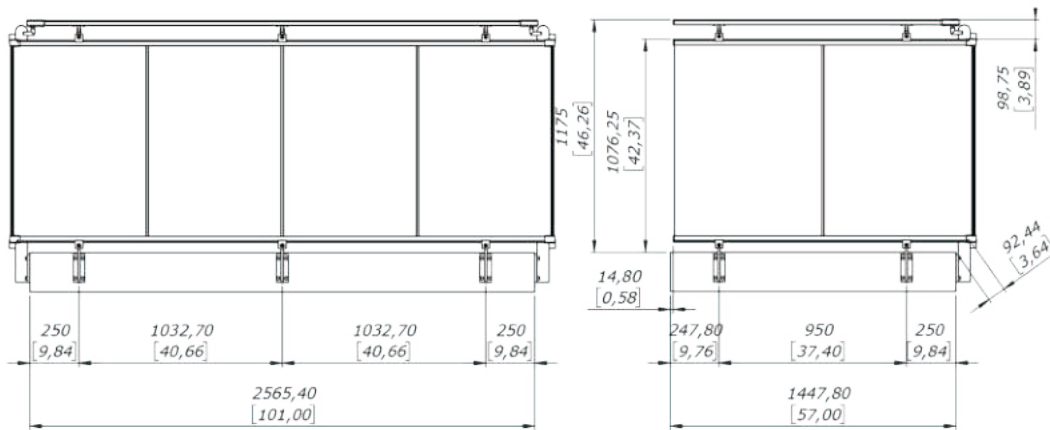
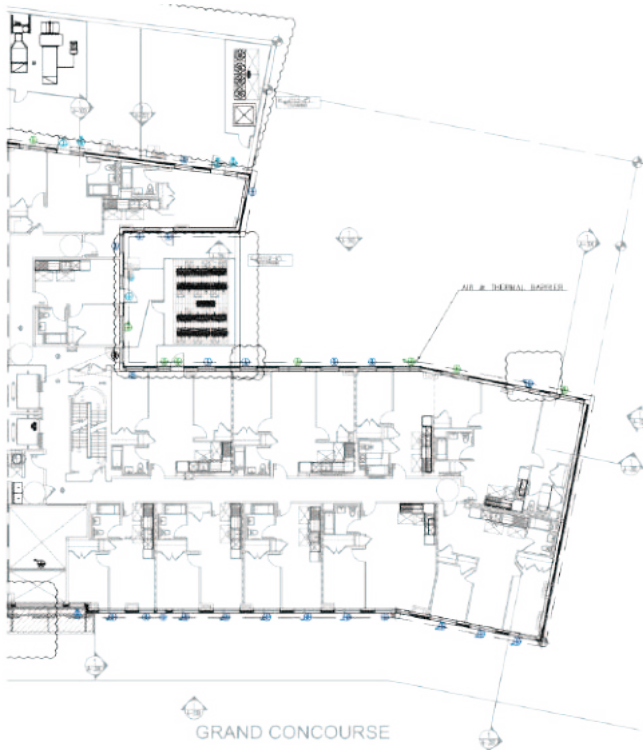
Essentials

- *Vertical Bars Max. 10cm gaps
- *Black Color Fingers Design

Criteria	Value
Safety Load	1.5
Line Load	50 Lbs (225 N)
Pressure	200 Lbs (890 N)
Certified Pressure	1 kN
Advice Height	Up to 120 cm (47 1/4")
Advice Bar Qty	9
Distance/s	Max. 4"(10 cm)



310-322 Grand Concourse Bronx, NY / USA



Description

AluMax™ series used these ambient to have a high view of the city. Glass and Aluminum segments both protecting to strength and safety together.

SYSTEM ALUMAX™

420-026 Side Elevation Post Structure
Elevation Height 1175 mm w/ Glass 6.6.4 (9/16")

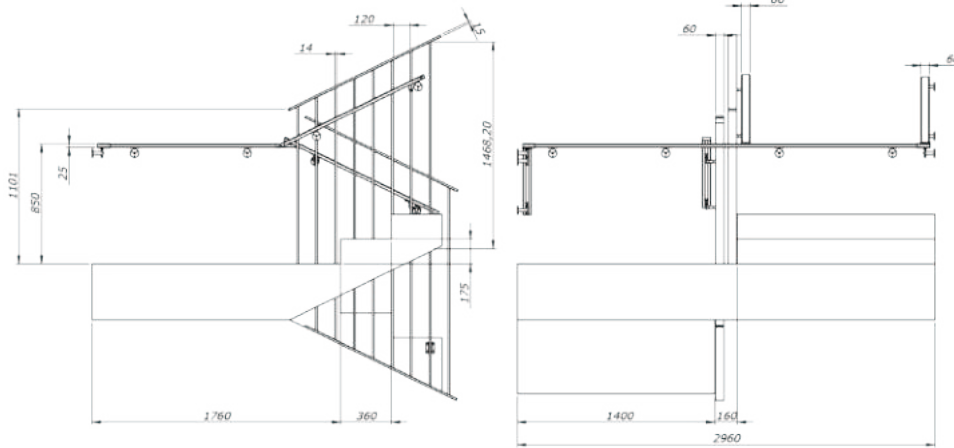
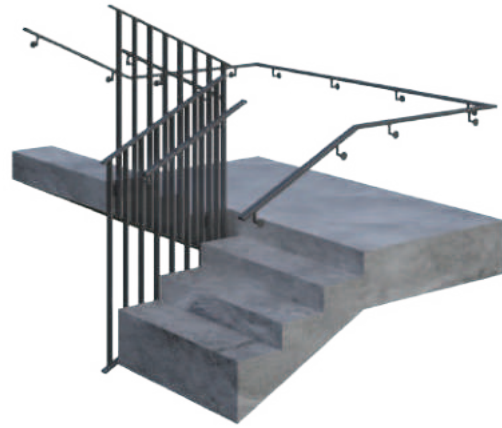
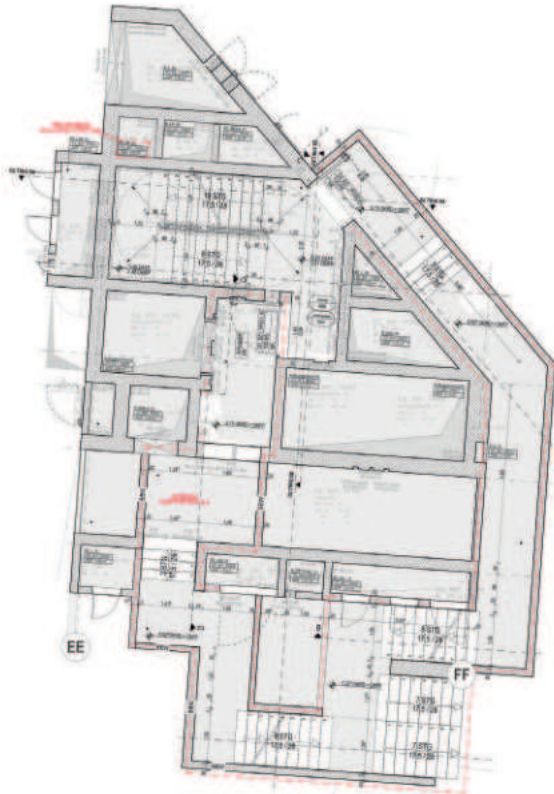
Essentials

- *Max. 10cm Gaps
- *Side Elevation (Front Facial)
- *Hurricane Strength

Criteria	Value
Safety Load	1.7
Line Load	50 Lbs (225 N)
Pressure	200 Lbs (890 N)
Certified Pressure	1.3 kN
Advice Height	Up to 150 cm (59 1/16")
Advice Bar Qty	-
Distance/s	Max. 4"(10 cm)



Skyscrapers Hamburg Port / DE



Description

Alumax™ L100 side elevation model used internal stairs to have modern looking with safety and characterized ambient this fabulous building twins.

SYSTEM ALUMAX™

Harbour Skyscrapers special design L100 Side Elevation Model Elevation height 1100 mm continuous post structure

Essentials

*Finger style vertical bar expected gaps 12cm

*Matching style Wall Handrails

Criteria	Value
Safety Load	1.5
Line Load	50 Lbs (225 N)
Pressure	200 Lbs (890 N)
Certified Pressure	1 kN
Advice Height	Up to 150 cm (59 1/16")
Advice Bar Qty	9
Distance/s	Max. 4"(10 cm)



SQUARLINE SERIES

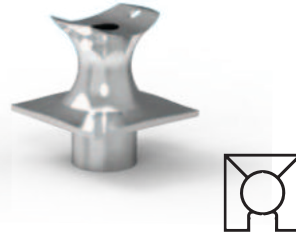




■ **30-240-002**
40x40 Semi Circular Set With
Cover - Ø50



■ **30-240-004**
40x40 Semi Circular Set
With Cover - Top Plain



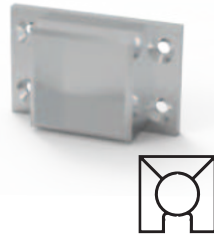
■ **30-240-005**
40x40 Semi Circular - Ø50



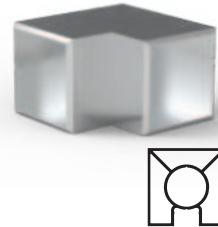
■ **30-240-006**
40x40 Semi Circular With
Cover - Ø50



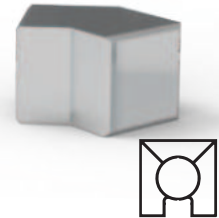
■ **30-240-009**
40x40 Semi
Circular With Cover
- Eco



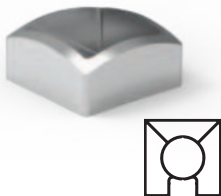
■ **30-240-015**
40x40 Wall
Connector



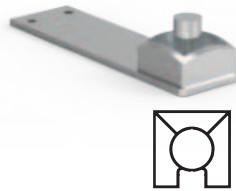
■ **30-240-016**
40x40 Corner 90°



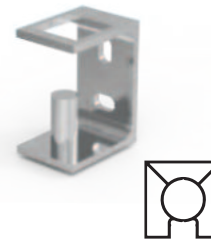
■ **30-240-017**
40x40 Corner 45°



■ **30-240-101**
40x40 Post Flange (Thin)



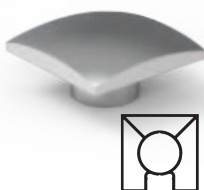
■ **30-240-401**
40x40 mm Extensioner



■ **30-240-402**
40x40 'U' Strut Side
Connector



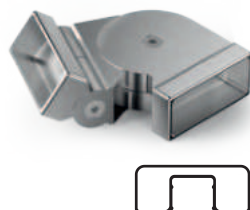
■ **30-240-501**
40x40 Square
Knob



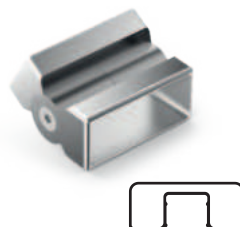
■ **30-240-502**
40x40 Square Plug



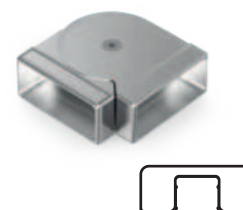
■ **30-260-501**
60X25 mm Square Elbow
With Horizontal Moving



■ **30-260-502**
60X25 mm Square Elbow
With One Side Moving



■ **30-260-503**
60X25 mm Square Elbow With
Vertical Moving



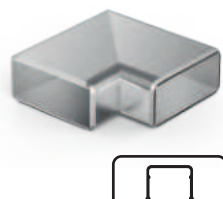
■ **30-260-504**
60X25 mm Square Elbow With
Side Moving



■ **30-260-601**
60X25 mm Ring



■ **30-260-702**
60X25 mm Square Plug



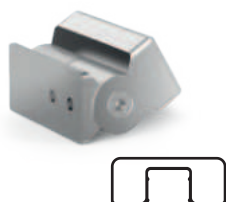
■ **30-260-512**
60X25 mm Square Elbow
90°(Without Channel)



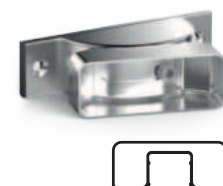
■ **30-260-513**
60X25 mm Square Elbow
45°(Without Channel)



■ **30-260-301**
60X25 mm Wall Flange



■ **30-260-302**
60X25 mm Vertical Wall
Connection



■ **30-260-303**
60X25 mm Adjustable
Wall Flange



■ **30-260-304**
60X25 mm Vertical
Wall Connection



■ **30-260-516**
60X25 mm Square Elbow
With Both Side Moving



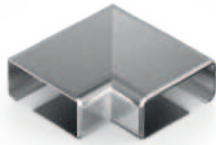
■ **30-260-517**
60X25 mm Square Elbow
With One Side Moving



■ **30-260-518**
60X25 mm Square Elbow
With Vertical Moving



■ **30-260-305**
60X25 mm Wall Flange



■ **30-260-506**
60X25 mm Square Elbow
90°(Outer Channel)



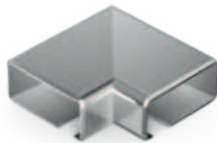
■ **30-260-507**
60X25 mm Square Elbow
45°(Outer Channel)



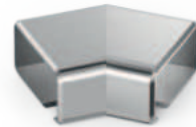
■ **30-260-508**
60X25 mm Square Elbow
90°(Middle Channel)



■ **30-260-509**
60X25 mm Square Elbow
45°(Middle Channel)



■ **30-260-510**
60X25 mm Square Elbow
90°(Inner Channel)

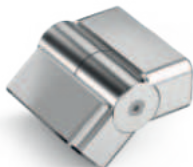


■ **30-260-511**
60X25 mm Square Elbow
45°(Inner Channel)

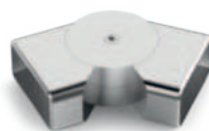




■ **30-280-502**
80X30 mm Square Elbow
With One Side Moving



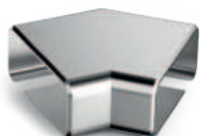
■ **30-280-503**
80X30 mm Square Elbow
With Vertical Moving



■ **30-280-504**
80X30 mm Square Elbow
With Horizontal Moving



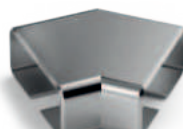
■ **30-280-505**
80X30 mm Square Elbow
90°(Out Side Channel)



■ **30-280-506**
80X30 mm Square Elbow
45°(Out Side Channel)



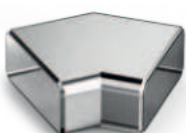
■ **30-280-507**
80X30 mm Square Elbow
90°(Middle Channel)



■ **30-280-508**
80X30 mm Square Elbow
45°(Middle Channel)



■ **30-280-511**
80X30 mm Square Elbow
90°(Without Channel)



■ **30-280-512**
80X30 mm Square Elbow
45°(Without Channel)



■ **30-280-302**
80X30 mm Vertical Wall
Connection



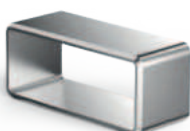
■ **30-280-303**
80x30 mm Adjustable
Wall Flange



■ **30-280-301**
80X30 mm Wall Flange



■ **30-280-304**
80X30 mm Wall Flange



■ **30-280-601**
80x30 mm Ring



■ **30-280-701**
80x30 mm Square Plug



■ **30-280-501**
80X30 mm Square Elbow
With Both Side Moving



30-230-508
26x30 Square Elbow
With One Side
Moving



30-230-509
26x30 Ring



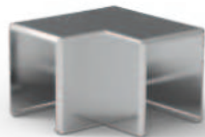
30-230-301
26X30 mm Wall Flange



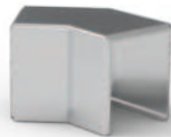
30-230-701
26X30 mm
Square Plug



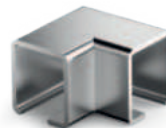
30-230-702
26X30 mm Plug
(External)



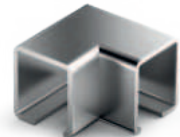
30-230-511
26x30 Corner 90°



30-230-512
26x30 Corner 45°



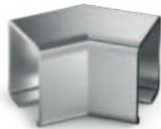
30-230-501
26X30 mm Outer
Corner For Glass 90°



30-230-502
26X30 mm Inner
Corner For Glass 90°



30-230-503
26X30 mm Outer
Corner For Glass 45°



30-230-504
26X30 mm Inner
Corner For Glass 45°



30-230-505
26X30 mm Square
Profile Corner



30-230-506
26x30 Square Elbow With
Vertical Moving



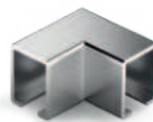
30-230-507
26x30 Square Elbow
With Horizontal
Moving



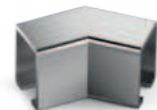
30-221-601
22X16 mm Ring



30-221-701
22X16 mm Plug



30-221-501
22X16 mm Corner for
Glass 90°



30-221-502
22X16 mm Corner for
Glass 45°



30-214-503
14X14 mm Adjustable Elbow
(Vertical)



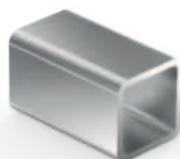
30-214-504
14X14 mm Adjustable Elbow
(Horizontal)



30-214-505
14X14 mm
Adjustable Elbow



30-214-506
14X14 mm
Adjustable Elbow



30-214-601
14X14 mm Ring



30-214-701
14X14 mm Plug



30-214-702
14X14 mm Decorative Plug



30-214-703
14X14 mm Decorative Plug



30-214-801
14X14 mm Pipe Handle
Moving Plain



30-214-802
14X14 mm Pipe Handle



30-214-803
14X14 mm Pipe Handle



30-214-804
14X14 mm Pipe Handle
With Both Side



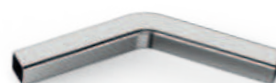
30-214-605
14X14 mm Jumbo Safety
Pipe



30-214-606
14X14 mm Jumbo
Safety Pipe



30-214-501
14X14 mm Elbow 90°



30-214-502
14X14 mm Elbow 45°

**SQUARLINE
SERIES**



30-200-903
Glass Holder for Square



30-200-904
Glass Holder for Square



30-200-907
Horizontal Glass Holder



30-100-901
Spider Glass Holder-Both Side



30-100-902
Spider Glass Holder-One Side



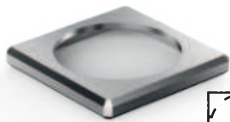
30-165-701
65 mm Knob



30-165-702
65 mm Crystal Knob



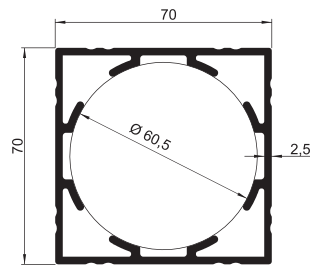
30-200-908
Spider Glass Holder for 14X14



30-270-702
70X70 mm Decorative Cover



30-270-301
70X70 mm Ground Flange

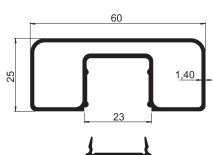


30-200-010
70x70 mm Profile
6 Meters

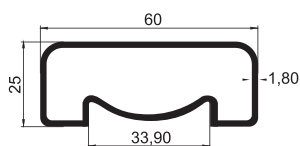


30-270-001
70X70 mm Strut Profile Set (110 cm)

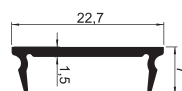




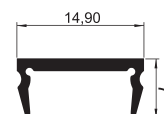
40-200-003
Top Handrail 60x25 mm
Profile 6 Meters



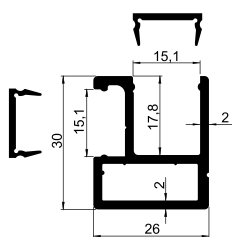
40-700-003
Top Handrail 60x25 mm
Profile 6 Meters



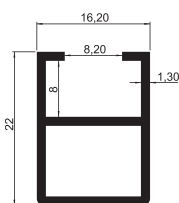
40-001-001
Cover Profile 6 Meters



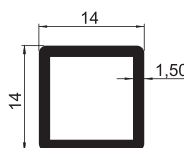
40-001-002
Cover Profile 6 Meters



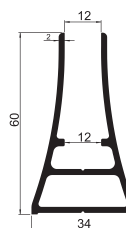
40-200-007
Holder Profile 6 Meters



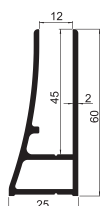
40-200-008
16x22 mm Glass Profile
6 Meters



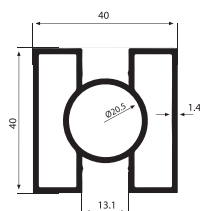
40-200-009
14x14 mm Profile
6 Meters



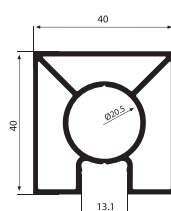
40-001-004
Sailing Profile 6 Meters



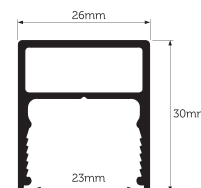
40-001-003
Sailing Profile 6 Meters



40-700-007
40x40 mm Dual Channel
Profile 6 Meters



40-700-008
40x40 mm Single Channel
Profile 6 Meters

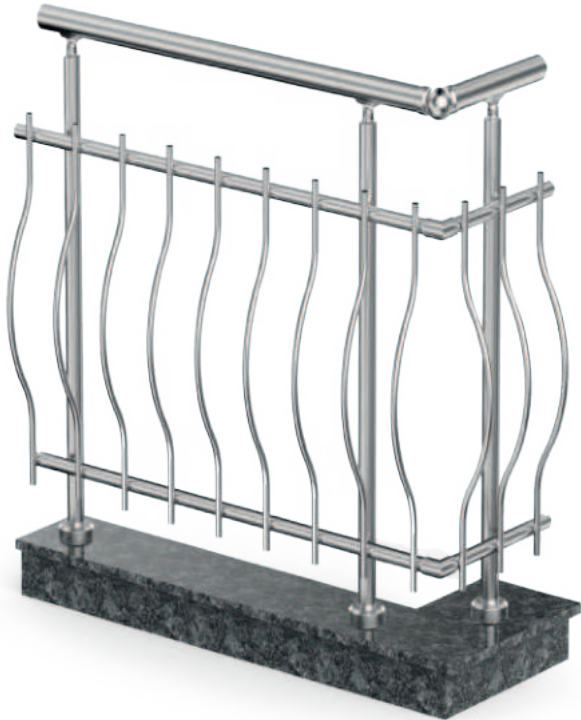


40-001-009
Glass Cover Profile 6
Meters



CLASSICAL SERIES





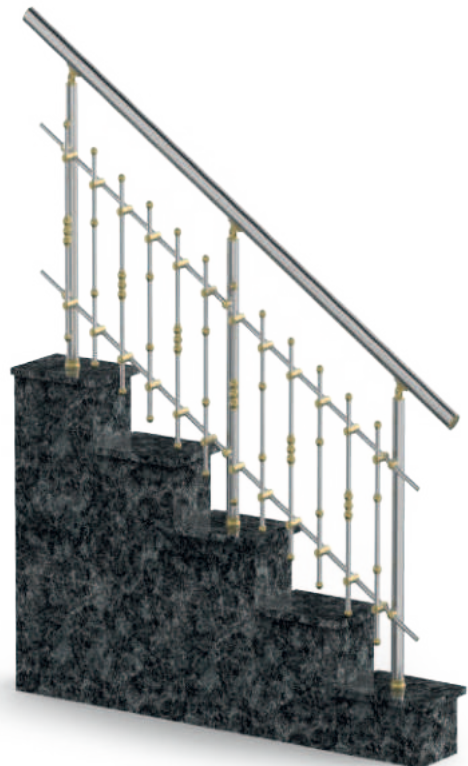
■ Ottawa



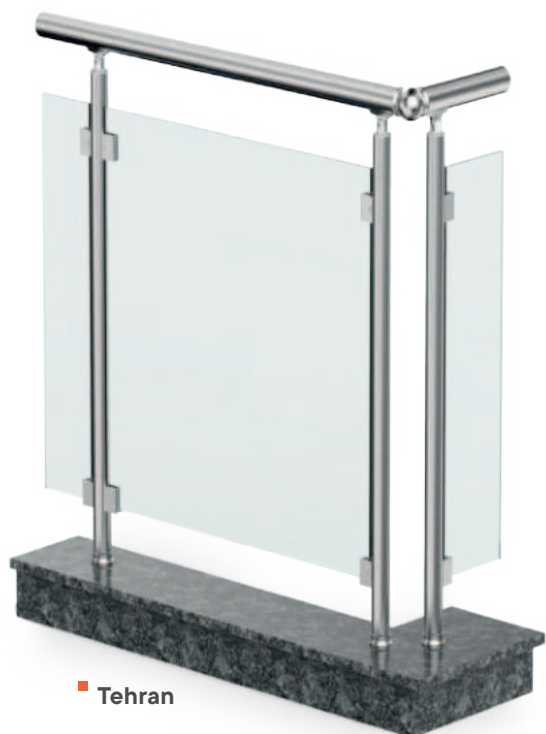
■ Skopje



■ Oslo



■ Vienna



**CLASSICAL
SERIES**



■ **30-140-102**
40' Joint Kit (Capped)



■ **30-140-105**
40' Capped Fitting



■ **30-140-302**
40' Ground Flange
w/o Teeth



■ **30-140-107**
Bowl Fitting



■ **30-140-301**
40' Anchor Flange (100 mm)



■ **30-140-320**
40' Inserted Flange
(80 mm)



■ **30-140-307**
40' Ring (9 cm)



■ **30-140-701**
40' Plug



■ **30-140-314**
40' Decorative Flange



■ **30-150-509**
50' Sphere Elbow
for Corner



■ **30-150-510**
50' Smart Sphere Elbow
for Corner



■ **30-140-311**
40' Ground Flange
Externally Screwed (Long)



■ **30-140-312**
40' Ground Flange
Externally Screwed



■ **30-140-313**
40' Ground Flange Cover



■ **30-140-401**
40' Wall "T" Hanger
Long (9,5 cm)



■ **30-140-402**
40' Wall "T" Hanger
(2,5 cm)



■ **30-140-405**
40' Extension Apparatus



■ **30-140-403**
40' Strut "U" Side
Connector (h=9,5cm)



■ **30-140-404**
40' Strut "U" Side
Connector
(h=12 cm)



■ **30-140-601**
40' Ring



■ **30-140-501**
40' Elbow 90°



■ **30-140-504**
40' Elbow 45°



■ **30-150-101**
50' Joint Kit
(External)



■ **30-150-102**
50' Joint Kit
(Capped)



■ **30-150-105**
50' Fitting



■ **30-150-104**
50' Fitting



■ **30-150-521**
50' Internal Elbow 45°



■ **30-150-520**
50' Internal Elbow 90°



■ **30-150-106**
50x50 mm Dovetail



■ **30-150-301**
50' Ground Flange
Externally Screwed (Long)



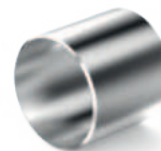
■ **30-150-302**
50' Ground Flange
Externally Screwed



■ **30-150-602**
50' Pipe Interconnector



■ **30-150-603**
50' Ring (3 cm)



■ **30-150-604**
50' Ring (5 cm)



■ **30-150-303**
50' Wall Flange
(Double Holes)



■ **30-150-304**
50' Ground Flange Cover



■ **30-150-305**
50' Adjustable Wall Flange



■ **30-150-306**
50' Adjustable Wall Flange



■ **30-150-307**
50' Extension Apparatus



■ **30-150-501**
50' Smart Sphere Elbow



■ **30-150-502**
50' Sphere Elbow
(ECO)



■ **30-150-507**
50' Sphere Elbow

**CLASSICAL
SERIES**



■ **30-150-401**
50' Wall Connector "T"



■ **30-150-402**
50' Pipe Anchor Adapter



■ **30-150-705**
50' Outcapped Plug



■ **30-150-701**
50' Plug



■ **30-150-704**
50' Plug With Channel



■ **30-150-702**
50' Knob



■ **30-150-703**
50' Crystal Knob



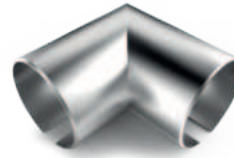
■ **30-150-601**
50' Smart Pipe Connector



■ **30-150-503**
50' Inflate Bend 90°



■ **30-150-504**
50' Inflate Elbow 45°



■ **30-150-506**
50' Elbow With Glass Channel 90°



■ **30-150-508**
50' Elbow With Glass Channel 45°



■ **30-160-601**
60' Ring



■ **30-160-701**
60' Plug



■ **30-160-301**
60' Wall Flange



■ **30-160-501**
60' Sphere Elbow



■ **30-160-506**
60' Ring



■ **30-160-502**
60' Elbow 90°



■ **30-160-505**
60' Elbow 45°



■ **30-165-701**
65' Knob



■ **30-165-702**
65' Crystal Knob



■ **30-165-301**
65' Ground Flange (Thick)



■ **30-165-401**
65' Pipe Anchor Adapter (12,5 cm)



■ **30-130-101**
30' Joint Kit (Internal)



■ **30-130-106**
30' Joint Kit (Long Capped)



■ **30-130-102**
30' Fitting



■ **30-130-103**
30x30 Fitting (Outcapped)



■ **30-130-104**
30x40 Fitting (Outcapped)



■ **30-130-105**
30x50 Fitting (Outcapped)



■ **30-130-301**
30' Ground Flange



■ **30-130-501**
30' Sphere Elbow



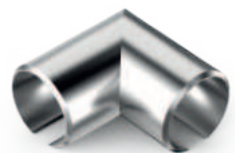
■ **30-130-601**
30' Ring



■ **30-130-701**
30' Plug



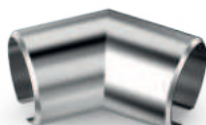
■ **30-130-702**
30' Knob



■ **30-130-502**
30' Elbow With Glass Channel 90°



■ **30-130-703**
30' Plug (Externaly)



■ **30-130-503**
30' Elbow With Glass Channel 45°



■ **30-130-401**
30' Single Curtain Accessories



■ **30-130-402**
30' Double Curtain Accessories



■ **30-116-702**
16' Knob



■ **30-116-703**
16' Decorative Knob



■ **30-116-704**
16' Decorative Knob



■ **30-116-701**
16' Plug



■ **30-116-801**
16' Pipe Handle Set



■ **30-116-802**
16' Pipe Double Handle Set



■ **30-116-803**
16' Pipe Handle



■ **30-116-705**
16' Plug (External)



■ **30-116-804**
16' Pipe Handle
w/Pin



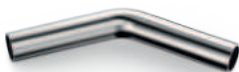
■ **30-116-805**
16' Pipe Handle (ECO)
w/Pin



■ **30-116-501**
16' Sphere Elbow



■ **30-116-502**
16' Elbow 90°



■ **30-116-503**
16' Elbow 45°



■ **30-116-603**
16' Single Ring Sphere



■ **30-116-604**
16' Decorated Ring



■ **30-116-606**
16' Decorated Ring



■ **30-116-605**
16' Decorative Bar



■ **30-116-301**
16' Ground Flange Externaly



■ **30-116-302**
16x30 Interchanger



■ **30-116-303**
16x40 Interchanger



■ **30-116-304**
16x50 Interchanger



■ **30-116-305**
16' Wall Flange



■ **30-116-601**
16' Ring



■ **30-116-602**
16' Decorative Ring



■ **30-116-809**
16' Pipe Handle



**CLASSICAL
SERIES**



■ **30-100-905**
Glass Holder for Round
Pipe



■ **30-100-907**
Horizontal Glass Holder



■ **30-100-906**
Glass Holder for
Round Pipe



■ **30-100-908**
Spider Socket



■ **30-100-203**
Wall Armature 90° (Ø50)



■ **30-100-205**
Wall Armature 90°
(Long) (Ø50)



■ **30-100-204**
Wall Armature 45°
(Ø50)



■ **30-100-202**
Wall Armature Short Ø50



■ **30-100-201**
Wall Handle Ø50



■ **30-100-206**
Anchor With Screw
20 Cm



■ **30-100-207**
Door Hinge



■ **30-100-208**
Door Latch



■ **40-100-035**
High Tack
Adhesive Polymer



■ **40-500-066**
Marine Sealant



■ **40-500-064**
M10 Clips Dowel Screw
180mm



■ **40-500-065**
M12x150mm
Concrete Screw



- **30-100-210**
Aluminium Anchor (Whole) (40 cm)
- **30-100-211**
Aluminium Anchor (Whole) (30 cm)
- **30-100-212**
Aluminium Anchor (Whole) (20 cm)
- **30-100-213**
Aluminium Anchor (Whole) (15 cm)



- **30-100-215**
Hollow Anchor (ECO) (40 cm)
- **30-100-216**
Hollow Anchor (ECO) (30 cm)
- **30-100-217**
Hollow Anchor (ECO) (20 cm)
- **30-100-218**
Hollow Anchor (ECO) (15 cm)



- **30-100-220**
Whole Anchor (40 cm)
- **30-100-221**
Whole Anchor (30 cm)
- **30-100-222**
Whole Anchor (20 cm)
- **30-100-223**
Whole Anchor (15 cm)



■ **40-100-001**
Pistol for Epoxy



■ **40-100-002**
410 gr Epoxy Adhesive



■ **40-100-003**
Marble & Stone Glue



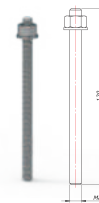
■ **40-100-004**
Electrical Pipe Bender Machine



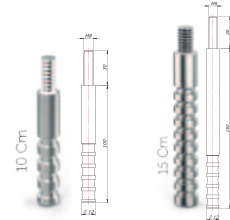
■ **40-100-005**
Electrical Pipe Bender Machine-Small



■ **40-100-006**
Granit Cutter Tool

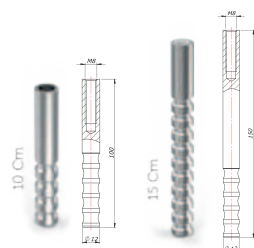


■ **40-500-041**
120 mm Bolt M8



■ **30-500-013**
8 Metric Anchor 10 cm

■ **30-500-014**
8 Metric Anchor 15 cm



■ **30-500-015**
8 Metric Anchor 10 cm

■ **30-500-016**
8 Metric Anchor 15 cm



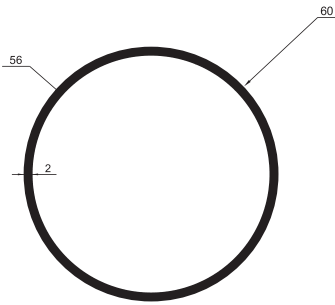
■ **40-500-017**
15 cm Screw + Dowel



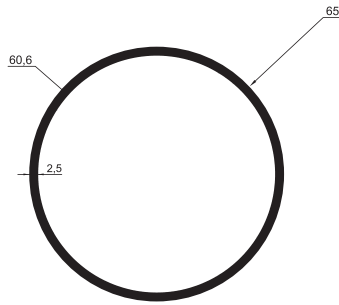
■ **40-500-019**
Screw M8



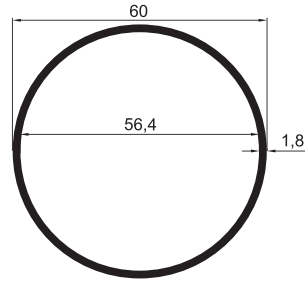
■ **40-500-018**
Dome Nut M8



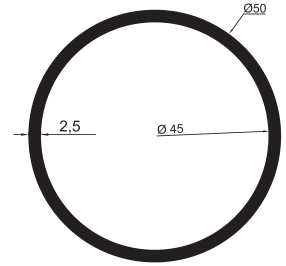
40-100-008
Handrail Profile
6 Meters



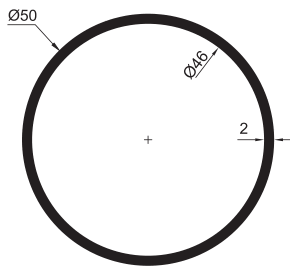
40-100-009
Handrail Profile
6 Meters Profile



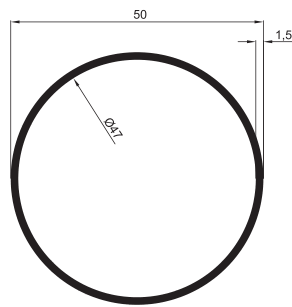
40-100-010
Handrail Profile
6 Meters



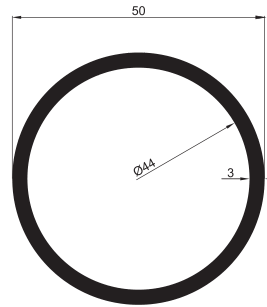
40-100-011
Handrail Profile
6 Meters



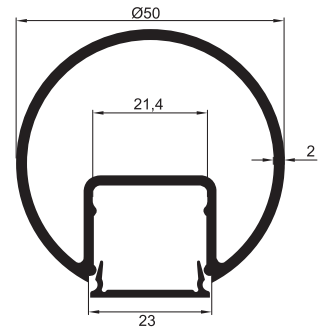
40-100-012
Handrail Profile
6 Meters



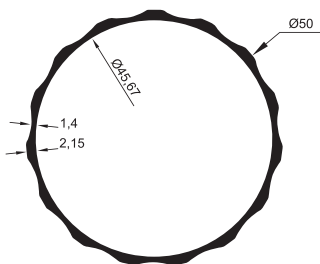
40-100-013
Handrail Profile
6 Meters



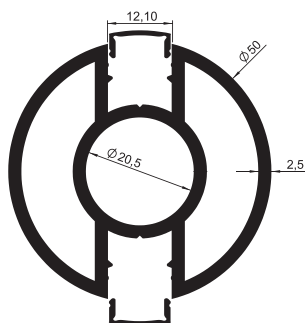
40-100-014
Handrail Profile
6 Meters



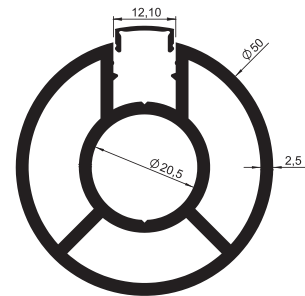
40-100-032
Handrail Profile
6 Meters



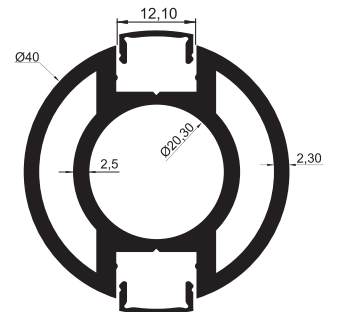
40-100-016
Handrail Profile
6 Meters



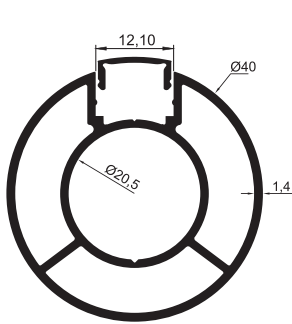
40-100-017
Handrail Profile
6 Meters



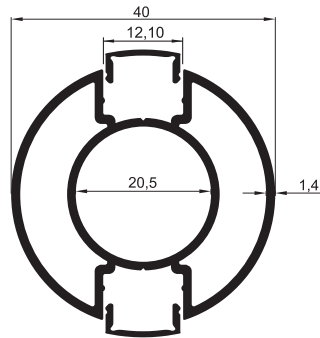
40-100-018
Handrail Profile
6 Meters



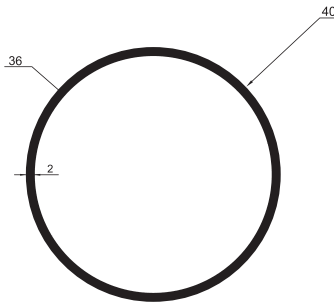
40-100-019
Handrail Profile
6 Meters



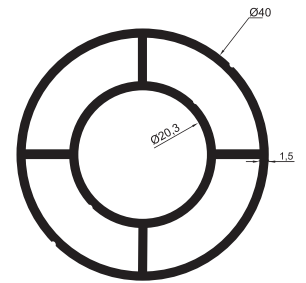
■ **40-100-020**
Handrail Profile
6 Meters



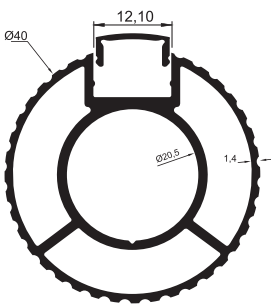
■ **40-100-021**
Handrail Profile
6 Meters



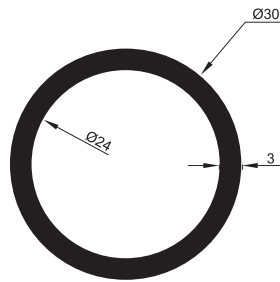
■ **40-100-021**
Handrail Profile
6 Meters



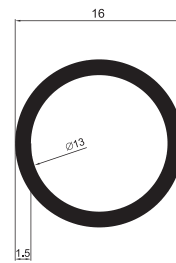
■ **40-100-023**
Handrail Profile
6 Meters



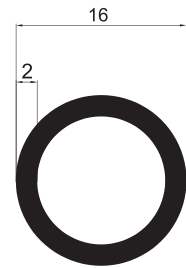
■ **40-100-024**
Handrail Profile
6 Meters



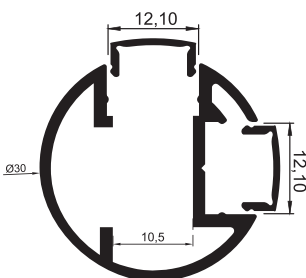
■ **40-100-025**
Handrail Profile
6 Meters



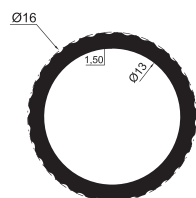
■ **40-100-027**
Handrail Profile
6 Meters



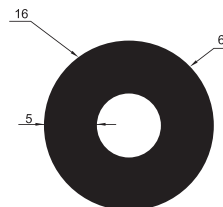
■ **40-100-028**
Handrail Profile
6 Meters



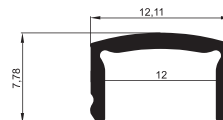
■ **40-100-026**
Handrail Profile
6 Meters



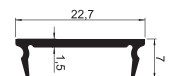
■ **40-100-029**
Handrail Profile
6 Meters



■ **40-100-030**
Handrail Profile
6 Meters



■ **40-100-031**
Handrail Profile
6 Meters



■ **40-001-001**
Handrail Profile
6 Meters

NOTES

A series of horizontal dotted lines spanning the width of the page, intended for taking notes.